



Housing Material: Polyester, Black UL94V-0  
 Contacts: Phosphor Bronze 30µm Au plating over Ni  
 Leads: Matte Sn over Ni  
 Shield: Cu Alloy with Ni plating 40µm min  
 Durability: 1000 mating cycles  
 Dimensions: Inch [mm]  
 Tolerances: ±0.008 inch if not specified



**PART NO. : HFJ11-E2450E-L12RL**

FASTJACK™ WITH 10/100BASE-TX MAGNETICS

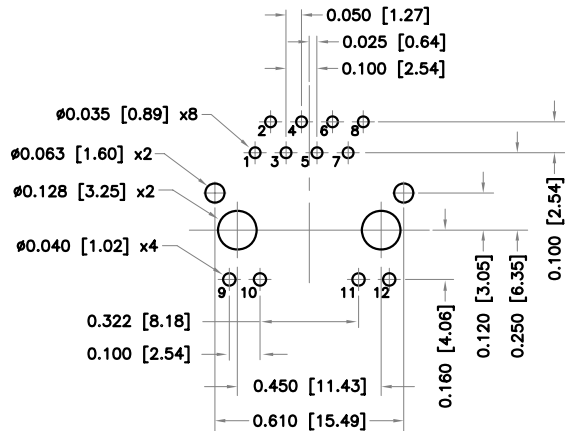
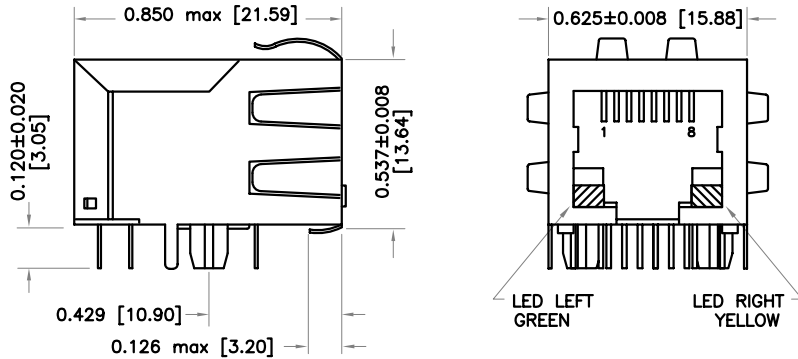
RoHS COMPLIANT

COMPATIBLE TO LEAD-FREE WAVE SOLDERING PROCESS FOR THROUGH HOLE COMPONENTS

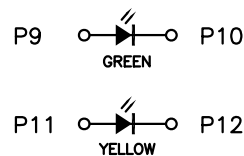
EXTENDED OPERATING TEMPERATURE -40/+85°C

**ELECTRICAL SPECIFICATIONS @ 25° C**

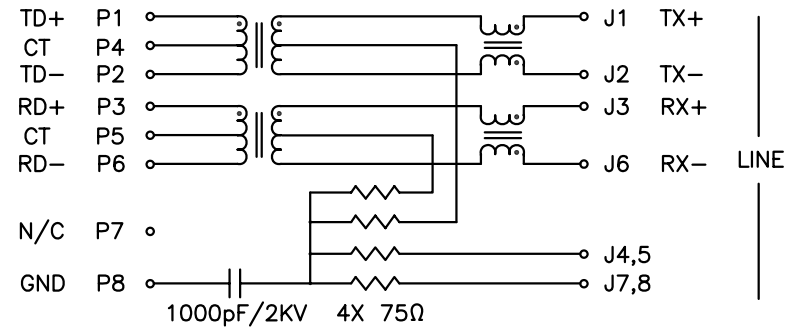
|                          |             |
|--------------------------|-------------|
| URNS RATIO               | 1CT:1 ±3%   |
| OCL (100KHz,0.1Vrms,8mA) | 350µH min   |
| DCR P1-P2,P3-P6          | 1.1Ω max    |
| INSERTION LOSS           |             |
| 0.1-100MHz               | -1.1dB max  |
| RETURN LOSS              |             |
| 0.5-30MHz                | -18dB min   |
| 40MHz                    | -15.5dB min |
| 50MHz                    | -13.6dB min |
| 60-80MHz                 | -12dB min   |
| CROSSTALK 0.1-100MHz     | -40dB typ   |
| CMR 0.1-30MHz            | -50dB typ   |
| 30-60MHz                 | -40dB typ   |
| 60-100MHz                | -35dB typ   |
| ISOLATION                | 1,500Vrms   |



RECOMMENDED P.C. BOARD PATTERN (COMP. SIDE)



LED FORWARD VOLTAGE/  
 CURRENT: 2.1V/10mA typ



**HALO/PBL**

CALIFORNIA, USA  
 KOWLOON, HONG KONG  
 SINGAPORE

|       |                  |                    |            |                  |          |      |               |          |
|-------|------------------|--------------------|------------|------------------|----------|------|---------------|----------|
| TITLE | FastJack™ SINGLE |                    | SIGNATURES |                  | DATE     | REV. | DESC.         | DATE     |
|       | FOR              | FAST ETHERNET      | DRAWN      | PETER LU         | 8/9/05   | A    | FIRST ISSUE   | 8/9/05   |
|       | PART NO.         | HFJ11-E2450E-L12RL | CHECKED    | LEI KEONG        | 12/15/05 | B    | PROD. RELEASE | 12/15/05 |
|       | SCALE            | NONE               | APPROVED   | PETER LU         | 12/15/05 |      |               |          |
|       | PAGE             | 1 OF 1             | FILE       | E2450E-L12RL.DWG |          |      |               |          |