

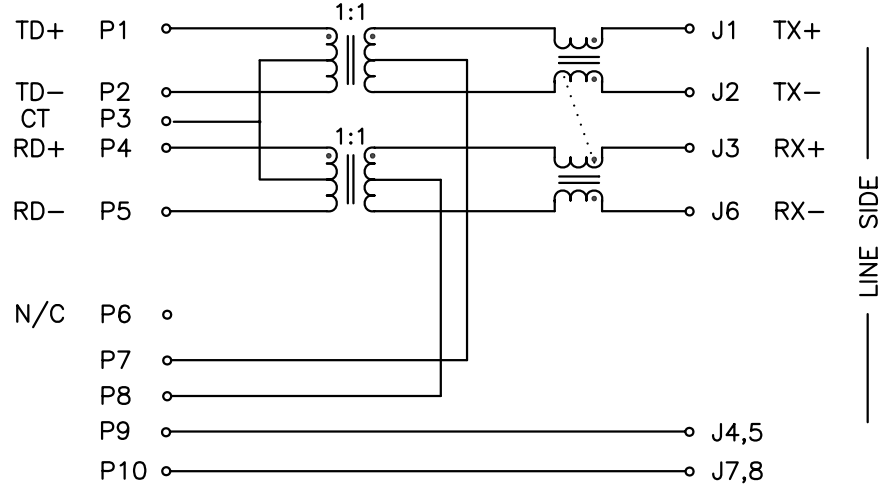
**PART NO. : HFJV1-HRPE40RL**



FASTJACK™ (TOP ENTRY) WITH 10/100BASE-TX MAGNETICS  
 COMPLIANT WITH IEEE802.3u STANDARDS  
 DESIGNED FOR PoE PLUS APPLICATIONS  
 POWER ON USED OR UNUSED PAIRS FOR UP TO 750mADC  
 RoHS COMPLIANT  
 UL/EN60950 RECOGNIZED  
 EXTENDED OPERATING TEMPERATURE -40/+85°C

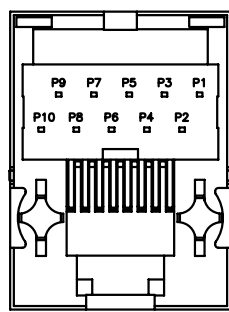
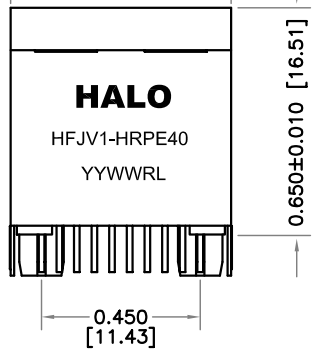
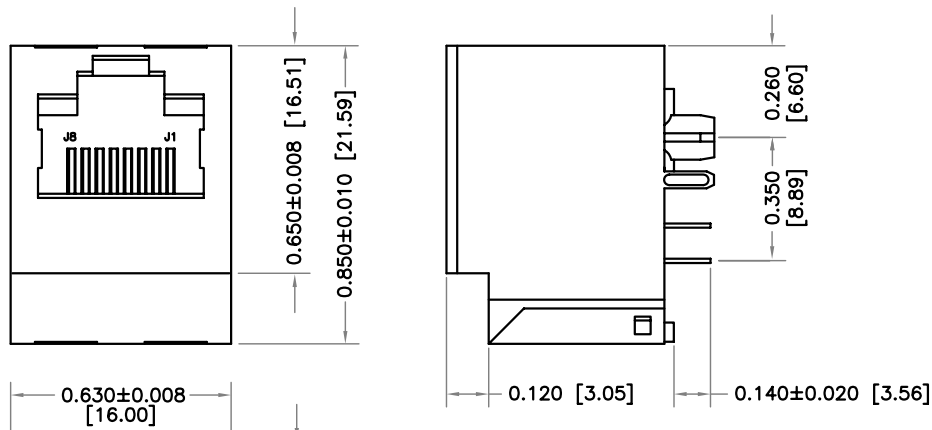
**ELECTRICAL SPECIFICATIONS @ 25° C**

TURNS RATIO P1-P2:J1-J2,P4-P5:J3-J6	1CT:1 ±3%
OCL (100KHz,0.1Vrms,8mADC,-40/+85°C) P1-P2,P4-P5	350µH min
INSERTION LOSS 0.1-100MHz	-1.1dB max
RETURN LOSS 0.5-30MHz 40MHz 50MHz 60-80MHz	-18dB min -15.5dB min -13.6dB min -12dB min
CROSSTALK 0.1-100MHz	-40dB typ
CMR 0.1-30MHz 30-60MHz 60-100MHz	-50dB typ -40dB typ -35dB typ
ISOLATION	1,500Vrms

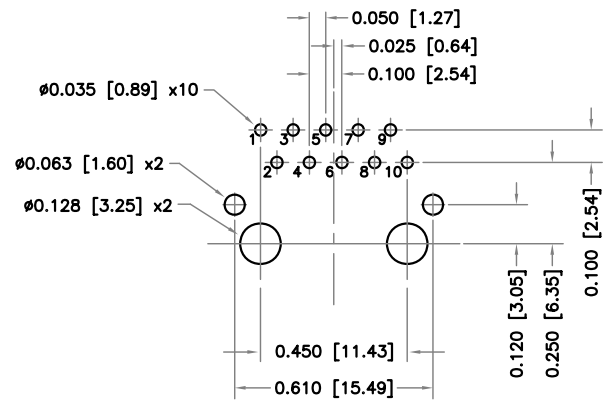


<b>HALO/PBL</b>	TITLE	FastJack™ SINGLE VERTICAL	SIGNATURES	DATE	REV.	DESC.	DATE	
	FOR	PoE PLUS	DRAWN	PETER LU	6/8/07	A	FIRST ISSUE	6/8/07
	PART NO.	HFJV1-HRPE40RL	CHECKED	LEI KEONG	6/8/07			
	SCALE	NONE	APPROVED	PETER LU	6/8/07			
		PAGE	1 OF 2	FILE	HFJV1HRPE40RL.DWG			

CALIFORNIA, USA  
 KOWLOON, HONG KONG  
 SINGAPORE



Housing Material: Polyester, Black UL94V-0  
 Contacts: Phosphor Bronze 30µin Au plating over Ni  
 Leads: Matte Sn over Ni  
 Shield: Cu Alloy with Ni plating 40µin min  
 Durability: 1000 mating cycles  
 Dimensions: Inch [mm]  
 Tolerances;  $\pm 0.008$  inch if not specified



RECOMMENDED P.C. BOARD PATTERN (COMP. SIDE)

**HALO/PBL**

CALIFORNIA, USA  
 KOWLOON, HONG KONG  
 SINGAPORE

TITLE	FastJack™ SINGLE VERTICAL		SIGNATURES	DATE	REV.	DESC.	DATE
FOR	PoE PLUS		DRAWN	PETER LU	6/8/07	A	FIRST ISSUE
PART NO.	HFJV1-HRPE40RL		CHECKED	LEI KEONG	6/8/07		
SCALE	NONE	PAGE	2 OF 2	APPROVED	PETER LU	6/8/07	
				FILE	HFJV1HRPE40RL.DWG		