

# PART NO. : HFJ11-RP48E-L12RL



FASTJACK™ WITH 10/100BASE-TX MAGNETICS  
 COMPLIANT TO IEEE802.3u STANDARDS

DESIGNED FOR PoE, IEEE802.3af APPLICATIONS  
 WITH AUTO-MDIX PHYS

POWER ON USED OR UNUSED PAIRS FOR UP TO 350mADC

RoHS COMPLIANT

COMPATIBLE TO LEAD-FREE WAVE SOLDERING PROCESS  
 FOR THROUGH HOLE COMPONENTS

OPERATING TEMPERATURE 0/70°C

## ELECTRICAL SPECIFICATIONS @ 25° C

### URNS RATIO

P1-P2:J1-J2,P4-P5:J3-J6 1CT:1 ±3%

### OCL (100KHz,0.1Vrms,8mADC)

P1-P2,P4-P5 350µH min

### INSERTION LOSS

0.1-100MHz -1.1dB max

### RETURN LOSS

0.5-30MHz -18dB min  
 40MHz -15.5dB min  
 50MHz -13.6dB min  
 60-80MHz -12dB min

### CROSSTALK 0.1-100MHz

-40dB typ

### CMR 0.1-30MHz

-50dB typ

30-60MHz

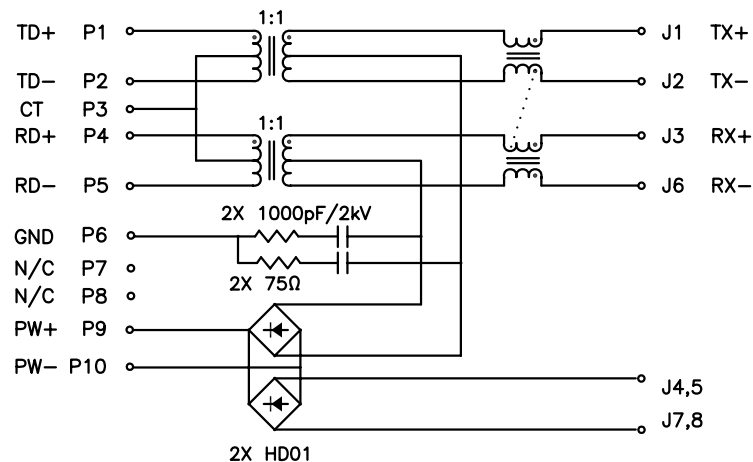
-40dB typ

60-100MHz

-35dB typ

### ISOLATION

1,500Vrms



LED FORWARD VOLTAGE/CURRENT: 2.1V/10mA typ

LINE



**HALO/PBL**

TITLE FastJack™ TAB-DOWN

FOR FAST ETHERNET IEEE802.3af

PART NO. HFJ11-RP48E-L12RL

SCALE NONE PAGE 1 OF 2

SIGNATURES

DRAWN PETER LU

CHECKED LEI KEONG

APPROVED PETER LU

FILE HFJ11-RP48E-L12RL.DWG

DATE

1/31/06

8/3/09

8/3/09

REV.

A

B

DESC.

FIRST ISSUE

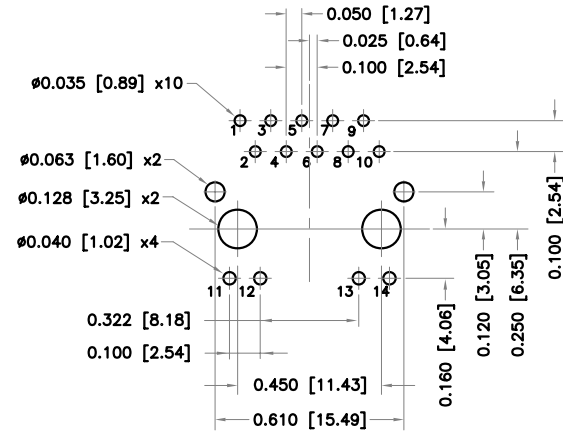
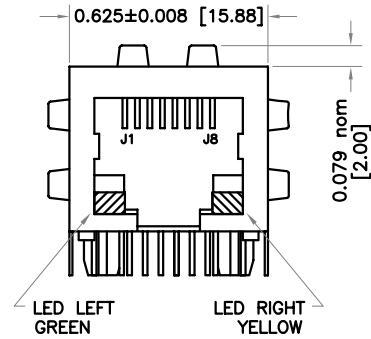
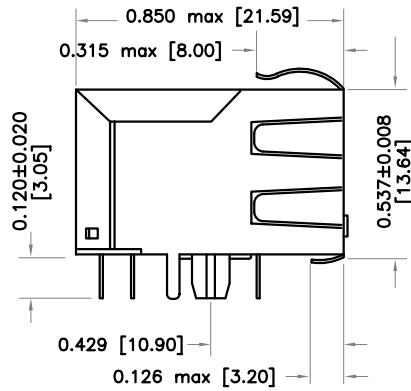
PROD. RELEASE

DATE

1/31/06

8/3/09

CALIFORNIA, USA  
 KOWLOON, HONG KONG  
 SINGAPORE



RECOMMENDED P.C. BOARD PATTERN (COMP. SIDE)

Housing Material: Polyester, Black UL94V-0  
 Contacts: Phosphor Bronze 30µin Au plating over Ni  
 Leads: Matte Sn over Ni  
 Shield: Cu Alloy with Ni plating 40µin min  
 Durability: 1000 mating cycles  
 Dimensions: Inch [mm]  
 Tolerances: ±0.008 inch if not specified

**HALO/PBL**

CALIFORNIA, USA  
 KOWLOON, HONG KONG  
 SINGAPORE

TITLE	FastJack™ TAB-DOWN	SIGNATURES		DATE		REV.		DESC.		DATE	
FOR	FAST ETHERNET IEEE802.3af	DRAWN	PETER LU	1/31/06	A		FIRST ISSUE		1/31/06		
PART NO.	HFJ11-RP48E-L12RL	CHECKED	LEI KEONG	8/3/09	B		PROD. RELEASE		8/3/09		
SCALE	NONE	APPROVED	PETER LU	8/3/09							
	PAGE 2 OF 2	FILE	HFJ11-RP48E-L12RL.DWG								