



## Joysticks

### SERIES 04J

Joystick with Center Pushbutton

#### FEATURES

- Sealed against contamination when properly mounted (IP67)
- Two styles available: behind-panel mount or front-panel mount
- RoHS compliant
- Short behind panel

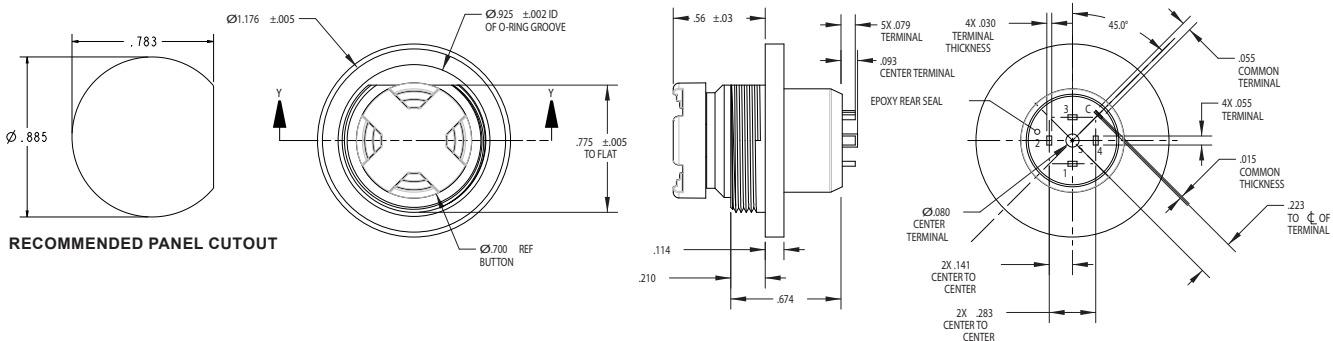
#### DESCRIPTION

Series 04J is a single pole, 4-way toggle switch with a pushbutton in the center position. 4-way contact is made in the opposite direction of travel.

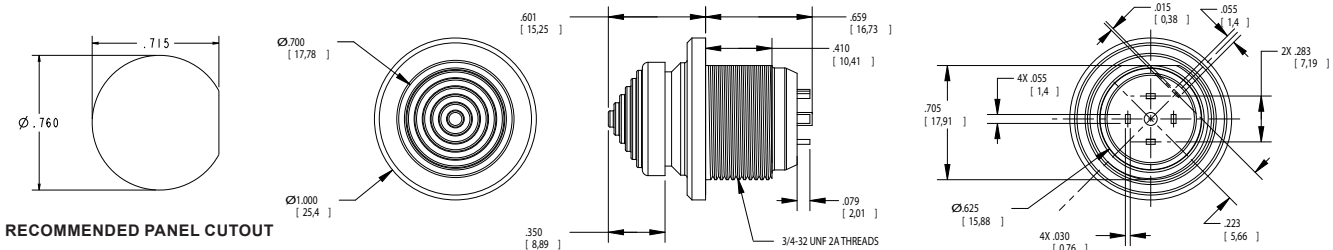


#### DIMENSIONS in inches (and millimeters)

##### BEHIND PANEL MOUNT



##### FRONT PANEL MOUNT



#### ELECTRIC & MECHANICAL RATINGS

**Rating:** 2 amp resistive; 0.5 amp inductive at 28VDC or 115VAC  
**Contact Resistance:** .05 ohms (max)  
**Operating Temperature:** -55°C to +85°C  
**Operational Life:** 100,000 cycles (min)  
**Pushbutton Travel:** .020 minimum overall  
**Pushbutton Operating Force:** 5 lbs. (max)  
**Insulation Resistance:** 10,000M ohms

**Vibration:** per MIL-DTL-9419F, Method 3.5.9

**Toggle Lever Travel:** 15° from center (max)

**Toggle Operating Force:** 16 oz  $\pm$  6 oz initial

**Toggle Pivot & Stop Strength:** 25 lbs. (max)

**Mechanical Shock:** per MIL-STD-810, procedure I, method 516.4

**Immersion:** per MIL-PRF-8805

**Moisture Resistance:** per MIL-DTL-9419

#### MATERIALS & FINISHES

**Switch Body & Concave Cap:** Thermoplastic (black, cone-shaped cap is gray)

**Bushing:** Aluminum alloy (black chrome)

**Contact Terminals:** 1/2 hard brass (gold over silver over nickel plating)

**Spanner Nut:** Stainless steel (black chrome)

**O-Ring:** 50 durometer fluorosilicone

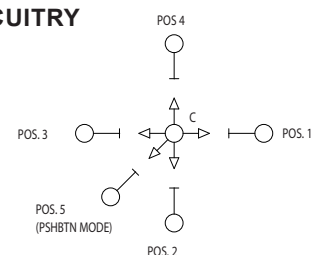
#### ORDERING INFORMATION

Available from your local Grayhill Distributor.

For prices and discounts, contact a local sales office, an authorized local distributor or Grayhill.

**Grayhill Series Number**  
**Version:**  
 B = behind panel; A = front panel  
**Connection:**  
 P = PCB mount; S = solder lugs  
 04J-BP-T01  
**Current:** 1 = high; 2 = low  
**Keypad Color:** 0 = black; 1 = gray  
**Keypad Shape:**  
 T = stadium cap; C = cone-shaped cap

#### CIRCUITRY



\*Contact made opposite the direction of travel