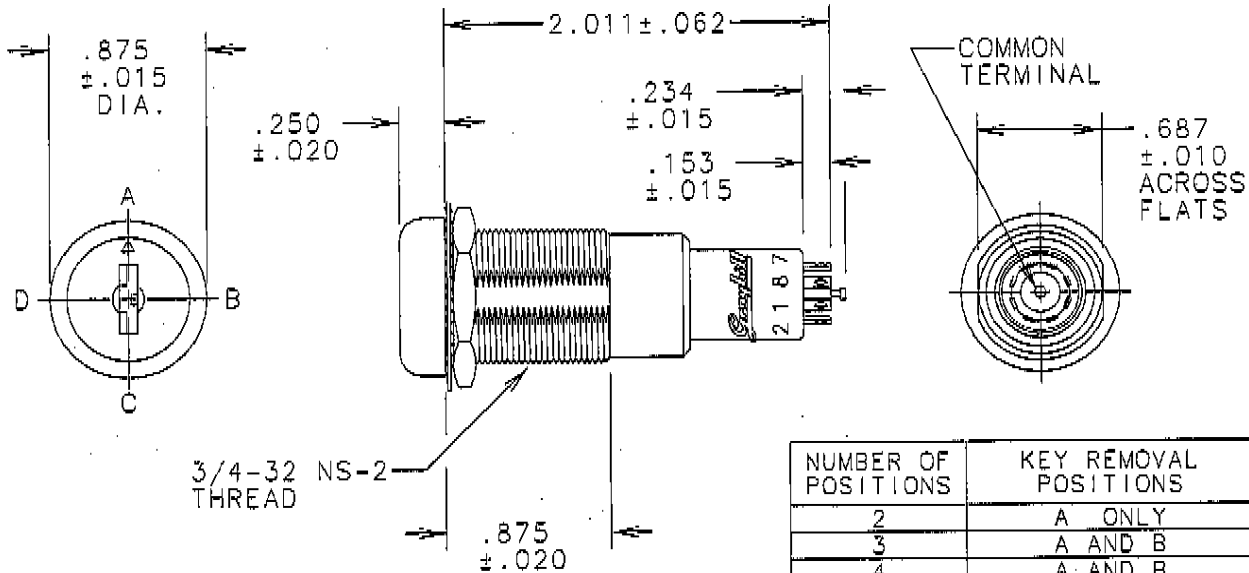


# FINAL ASSEMBLY DATA SHEET

PART NUMBER <b>50YY24071</b>	ECN NUMBER <b>133245</b>
SUB-ASSEMBLY SAME AS: <b>50A45-X</b> (PER 50YY-X) EXCEPT AS NOTED BELOW	SEE ECN SHEET FOR ALL REVISION DESCRIPTIONS CUSTOMER NAME: <b>GRAYHILL STANDARD</b>
SWITCH DESCRIPTION: <b>50L45-01-X-XXN</b>	CUSTOMER PART NUMBER:

- 1 OR 2 POLES.
- 2 - 8 POSITIONS PER POLE.
- SWITCH SHOWN IN POSITION 1, KEY REMOVAL POSITION "A".
- MOUNTING NUT, LOCKWASHER AND 2 KEYS SUPPLIED WITH SWITCH.



**SWITCH ASSEMBLY NOTES:**

- FLATS ON SHAFT ARE PARALLEL TO BUSHING FLATS WHEN SWITCH IS IN POSITION ONE.

IN THE EVENT OF A CONFLICT BETWEEN THIS DRAWING AND 50YY-X, THIS DRAWING SHALL TAKE PRECEDENCE.

ALL CRITICAL CHARACTERISTICS FLAGS SPECIFIED ON STANDARD PRODUCT APPLY TO THIS ASSEMBLY

APPROVED DMO	DATE 10-7-93	<b>Grayhill</b>	GRAYHILL INC. 561 HILLGROVE AVE LA GRANGE, IL 60525	PHONE (708) 354-1040
CHECKED KKK	DATE 9-9-93		TITLE <b>FINAL ASSEMBLY</b>	DWG. NO. <b>50YY24071</b>
DRAWN MJS	DATE 9-1-93	CAGE NO. <b>81073</b>	ENG117A	SCALE N.T.S.
			SHEET 1 OF 1	

CADAM DRAWING 50YY24071,G,01,1,1