



DATA SHEET

Dome Diffuser Series

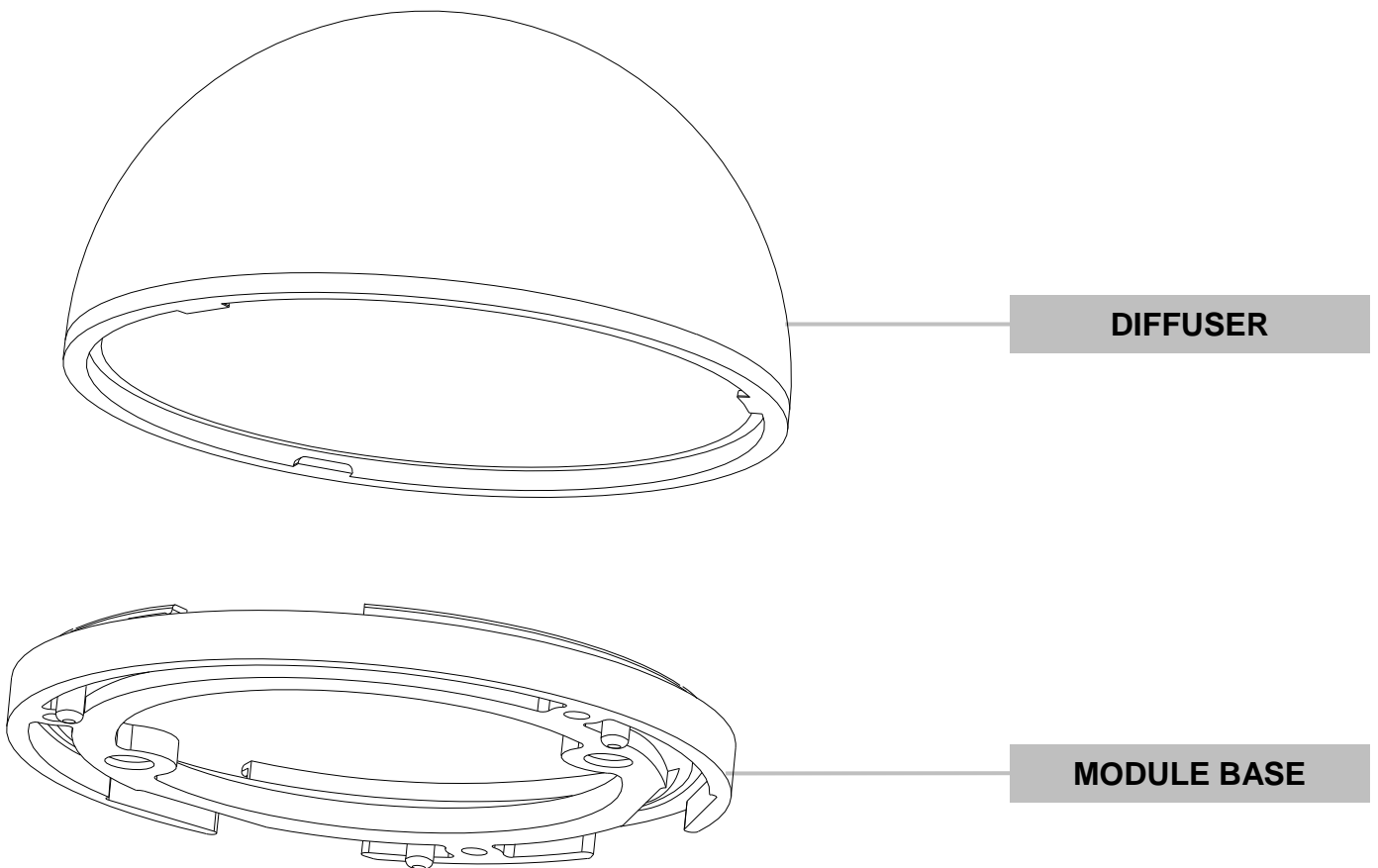
Component of the simpleLED® Program

MULTIPLE LENS FOR LUXEON® REBEL AND LUXEON® REBEL ES

- Superior quality PC diffuser with unique design.
- High light transmission above 94%.
- Smooth surface and elegant appearance without gel-point.
- UV treated Polycarbonate Lens Module Base with precision position locking.

(Refer to mechanical drawing for details dimension)

- Security features with flame retardant.
- Long life time.



PART NUMBERING & ORDERING INFORMATION

Part Number :

GLVA1 DF 50 X 50
 | | | | |
 1 2 3 4 5

1. ACCESSORIES CATEGORY NUMBER
 GLVA1
 Optics Number

2. OPTICS
 DF – Diffuser

3. DIAMETER OF DIFFUSER
 34 – For DF only, 34mm diffuser
 50 – For DF only, 50mm diffuser
 63 – For DF only, 63mm diffuser
 76 – For DF only, 76mm diffuser

4. MODULE BASE
 M – With Module Base Only, preceding with 00
 N – Diffuser only; No Module Base
 C – Diffuser with Module base

5. DIAMETER OF MODULE BASE
 34 – 34mm; For 34mm diffuser
 50 – 50mm; For 50mm diffuser
 63 – 63mm; For 63mm diffuser
 84 – 84mm; For 76mm diffuser

MODEL LIST

MODULE BASE ONLY

MODEL	BEAM ANGLE	APPLICATIVE DIFFUSER	MODULE BASE	MODULE BASE DIA	SELECTION
GLVA10000X34	-	-	-	34mm	<input type="checkbox"/>
GLVA10000X50	-	-	-	50mm	<input type="checkbox"/>
GLVA10000X63	-	-	-	63mm	<input type="checkbox"/>
GLVA10000X84	-	-	-	84mm	<input type="checkbox"/>

DIFFUSER ONLY

MODEL	BEAM ANGLE	APPLICATIVE DIFFUSER	MODULE BASE	MODULE BASE DIA	SELECTION
GLVA1DF34N34	160	34mm	-	-	<input type="checkbox"/>
GLVA1DF50N50	160	50mm	-	-	<input type="checkbox"/>
GLVA1DF63N63	160	63mm	-	-	<input type="checkbox"/>
GLVA1DF76N84	160	76mm	-	-	<input type="checkbox"/>

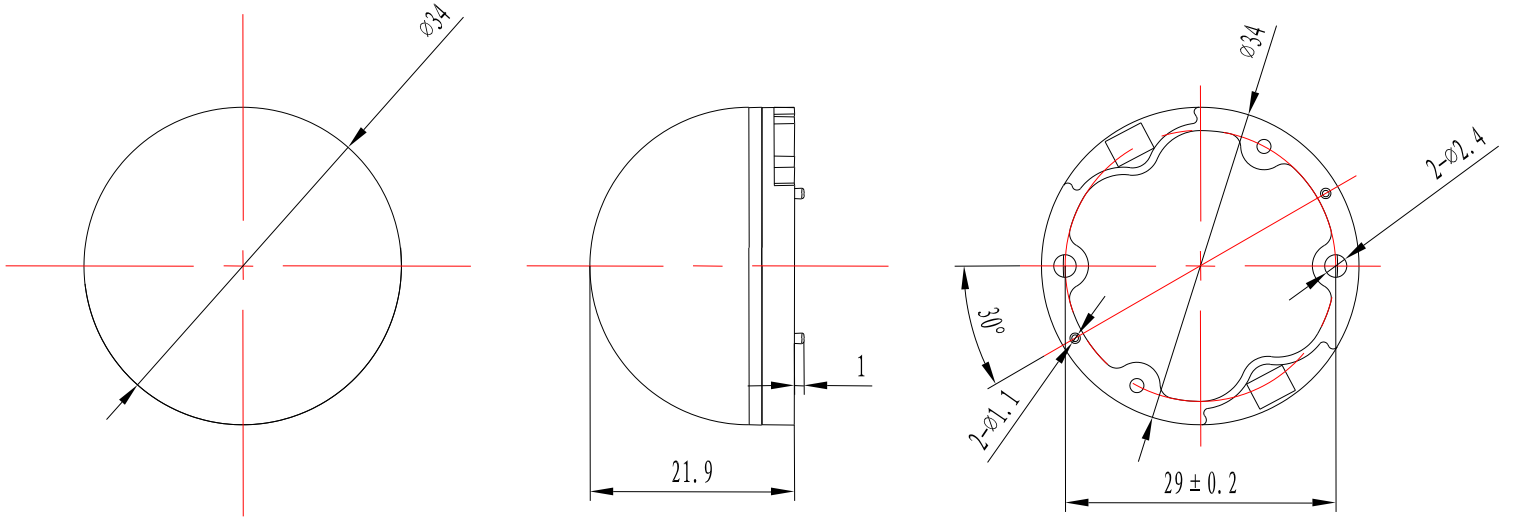
COMBINATION OF MODULE BASE PLUS DIFFUSER

MODEL	BEAM ANGLE	APPLICATIVE DIFFUSER	MODULE BASE	MODULE BASE DIA	SELECTION
GLVA1DF34C34	160	34mm	YES	34mm	<input type="checkbox"/>
GLVA1DF50C50	160	50mm	YES	50mm	<input type="checkbox"/>
GLVA1DF63C63	160	63mm	YES	63mm	<input type="checkbox"/>
GLVA1DF76C84	160	76mm	YES	84mm	<input type="checkbox"/>

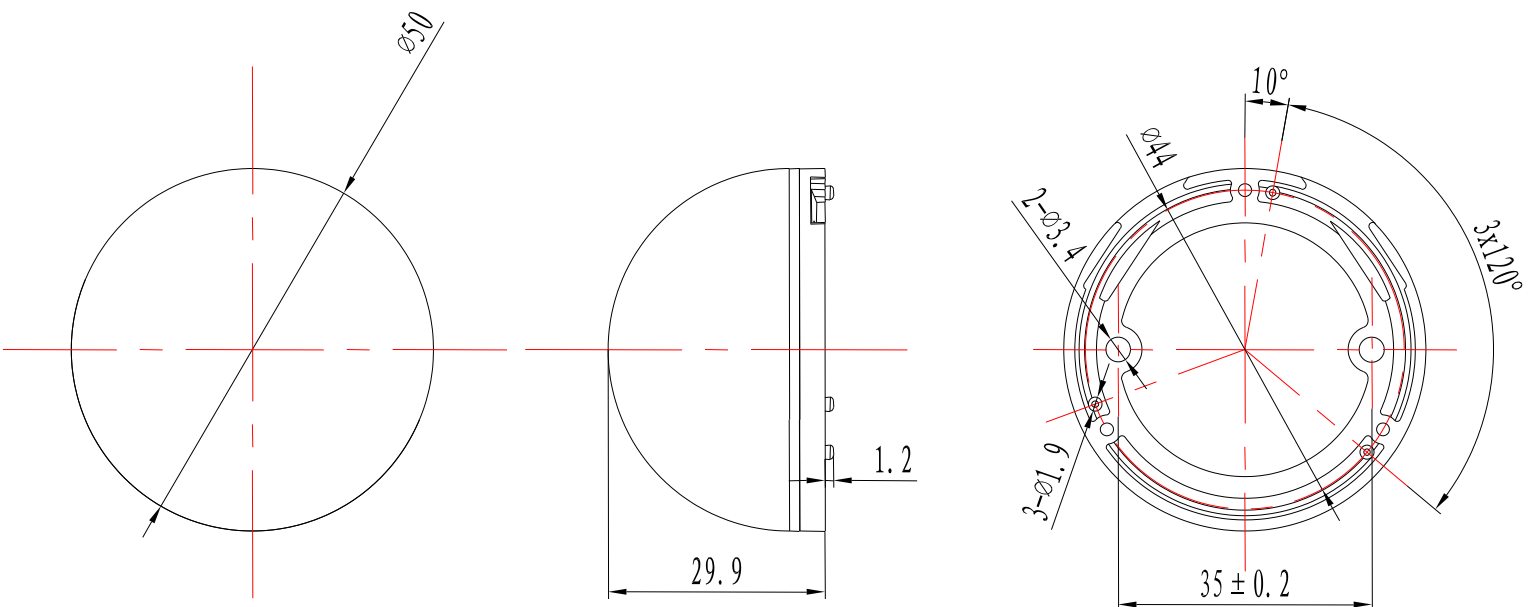
MECHANICAL DRAWINGS

2D drawing with dimensions:

(Unit: mm)



GLVA1DF34

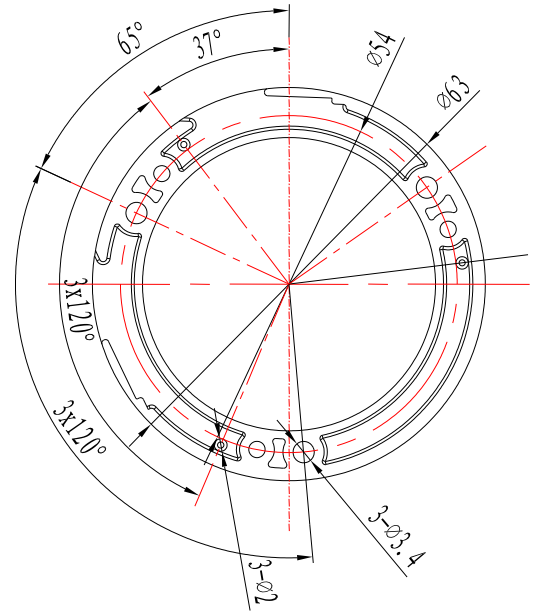
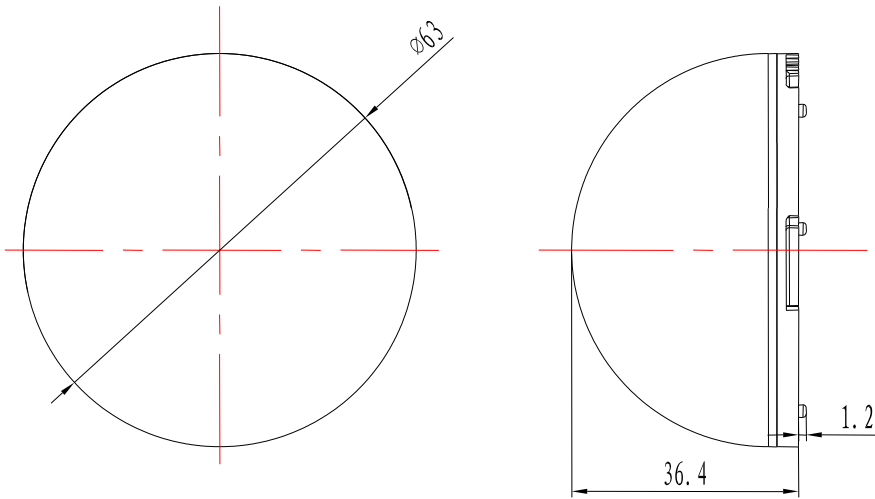


GLVA1DF50

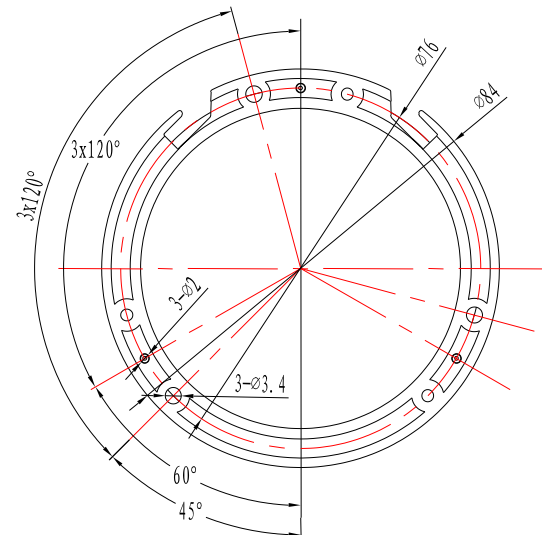
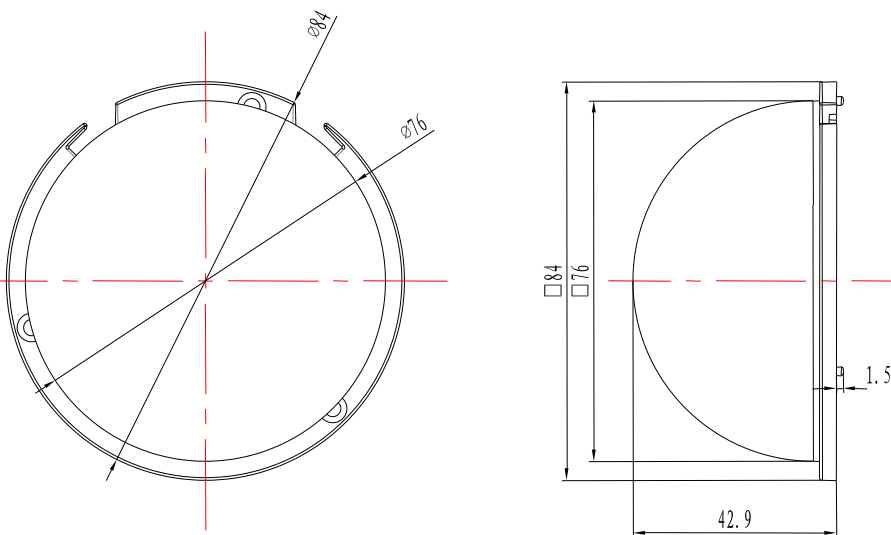
MECHANICAL DRAWINGS

2D drawing with dimensions:

(Unit: mm)



GLVA1DF63



GLVA1DF76