



**GARDTEC**

Part Number:

## HP75 ("45" Plug)

Wire: **SPT1 2 and 3 conductor 105°C, 300 volts**

Lengths: **Standard** (12", 24", 36", 40",  
48", 50", 60" and 80")

**Custom** (any length you desire.

When ordering, add desired length to

part number (i.e. 52.5" would be HP75-52.5))

Other options:

- **terminal connections** (any)
- **heat shrink**
- **labeling**
- **stripping**
- **tinning**
- **three conductor cords**
- **complete wire harness assemblies**  
(rated at 105°C, 300 volts)
- **red tracer cords**  
(all head configurations and lengths)

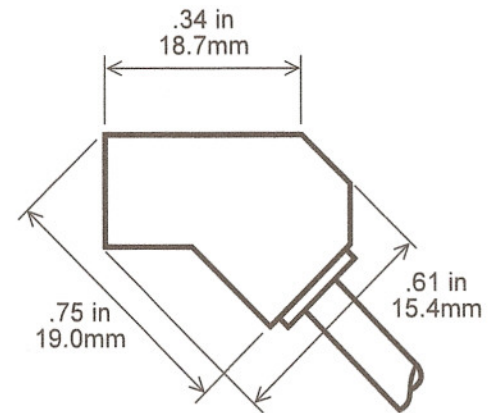
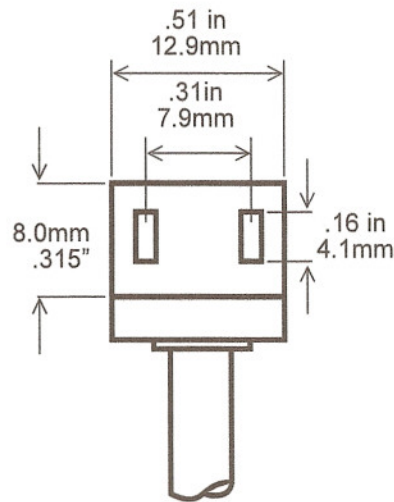
Listings:



UL listed (E189621, E156798)  
Rated 10 AMP/125 VAC



CSA listed (LR76679-1)  
Rated 7 AMP/125 VAC





**GARDTEC**

Part Number:

## HP25 ("T" Plug)

Wire: **SPT1 2 and 3 conductor 105°C, 300 volts**

Lengths: **Standard** (12", 24", 36", 40",  
48", 50", 60" and 80")

**Custom** (any length you desire.

When ordering, add desired length to  
part number (i.e. 52.5" would be HP25-52.5))

Other options:

- **terminal connections** (any)
- **heat shrink**
- **labeling**
- **stripping**
- **tinning**
- **three conductor cords**
- **complete wire harness assemblies**  
(rated at 105°C, 300 volts)
- **red tracer cords**  
(all head configurations and lengths)

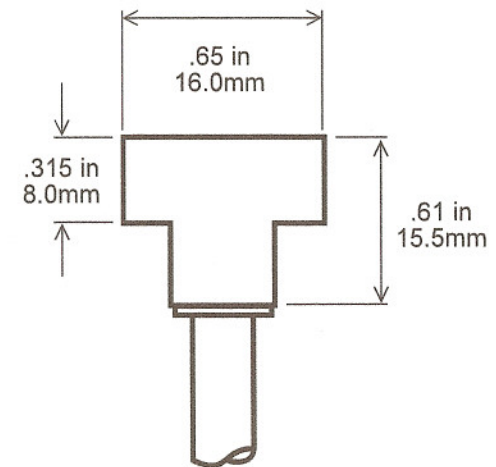
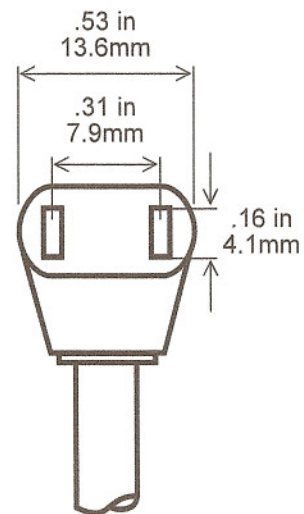
Listings:



UL listed (E189621, E156798)  
Rated 10 AMP/125 VAC



CSA listed (LR76679-1)  
Rated 7 AMP/125 VAC





**GARDTEC**

Part Number:

**SC60-W3**

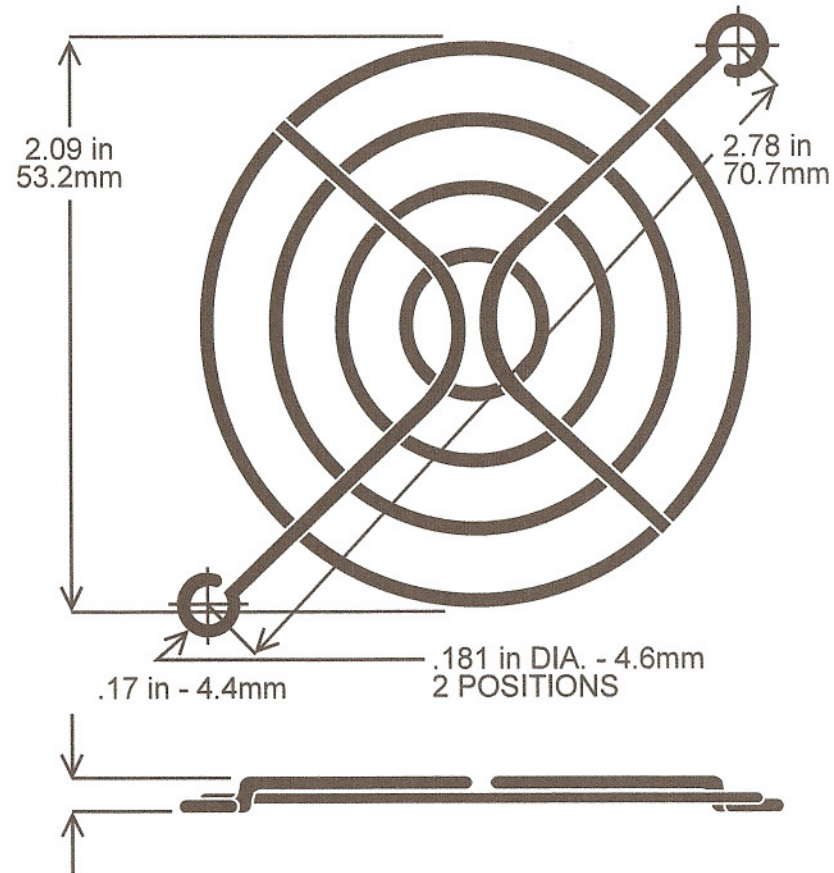
Material: **C1008 Steel**

Plating: **Bright Nickel Chrome**

*(other plating styles are available upon request)*

Ring Diameter: **1.6mm**

Rib Diameter: **1.6mm**





**GARDTEC**

Part Number:

**SC60-W2**

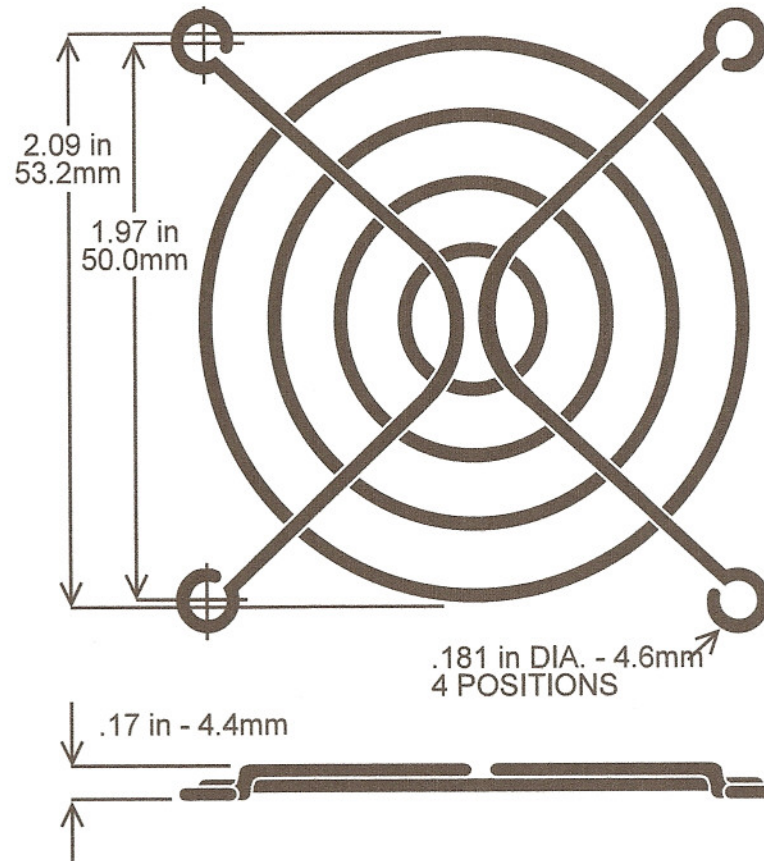
Material: **C1008 Steel**

Plating: **Bright Nickel Chrome**

*(other plating styles are available upon request)*

Ring Diameter: **1.6mm**

Rib Diameter: **1.6mm**





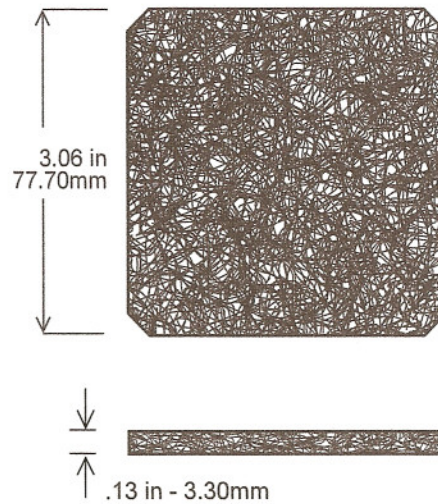
**GARDTEC**

Part Number:

**SC80-Mxx**

Media: **Polyurethane Foam UL94HF-1**  
**30/45/60/100PPI**

Filter





**GARDTEC**

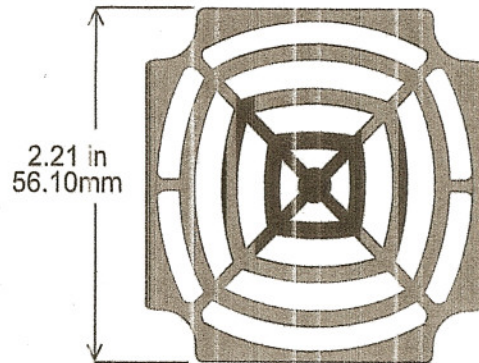
Part Number

**SC60-P15/60**

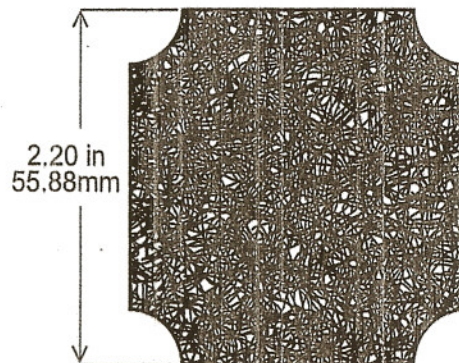
Material: *Plastic UL94V-0*

Media: *Polyurethane Foam UL94HF-1*  
**60PPI**

Retainer



Filter



Guard

