

**SPECIFICATIONS**

**Mechanical**

**Mating Force:** 3.5kgf (7.71Lb) max.  
**Unmating Force:** 1.0kgf(2.20Lb) min  
**Durability:** 5000 cycles.

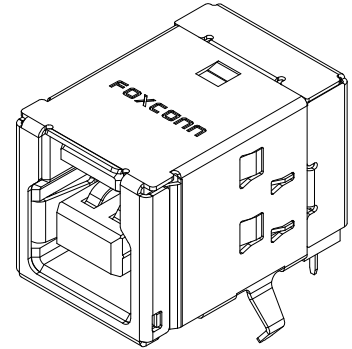
**Electrical**

**Voltage Rating:** 30 V rms maximum.  
**Low Level Contact Resistance:** 30 mΩ maximum initial for the Power (VBUS) and Ground (GND) contacts and 50 mΩ maximum for all other contacts .  
**Dielectric Withstanding Voltage:** 100V AC (Rms.)  
**Insulation Resistance:** 100MΩ min. at 100V DC.

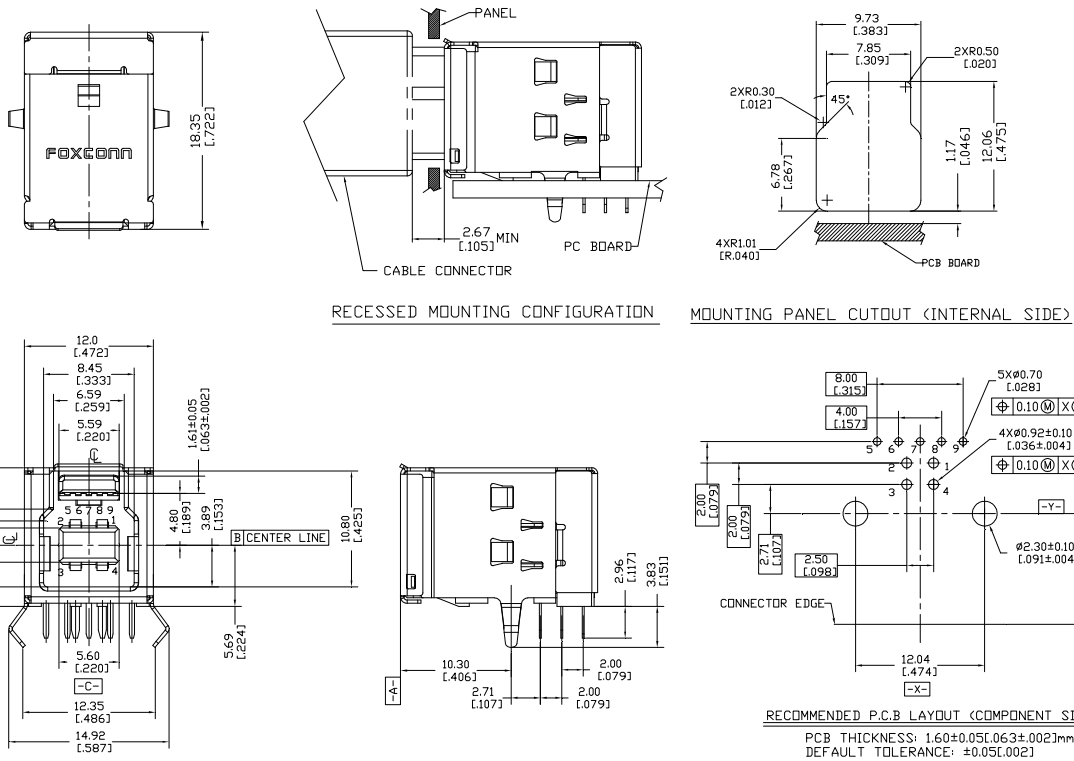
**Physical**

**Housing:** Thermoplastic, UL 94V-0 rated in Blue color  
**Contact and Shell:** Copper alloy& stainless steel  
**Plating:** See "ORDERING INFORMATION"  
**Operating Temperature:** -20°C to +85°C

**USB 3.0 Series**  
**Right Angle, T/H**  
**9 Pos.**



**DRAWING**



**ORDERING INFORMATION**

PRODUCT NO: **UEB 1 1 1 2 \* - 2AK1 - 4 \***

Series Prefix: USB 3.0 B TYPE

Termination Type: 1: Right Angle Dip

Connector Type: 1: Female

No. of Contact Position: 1: 9 Pos.

Profile Height: 2: 5.69 MM

F: Lead Free  
 H: Halogen Free

Package Code: 4: Soft Tray Package

Extension Code

Contact Area Plating: 3: 30u" Gold Plating  
 C: 30u" Pd/Ni+GOLD FLASH