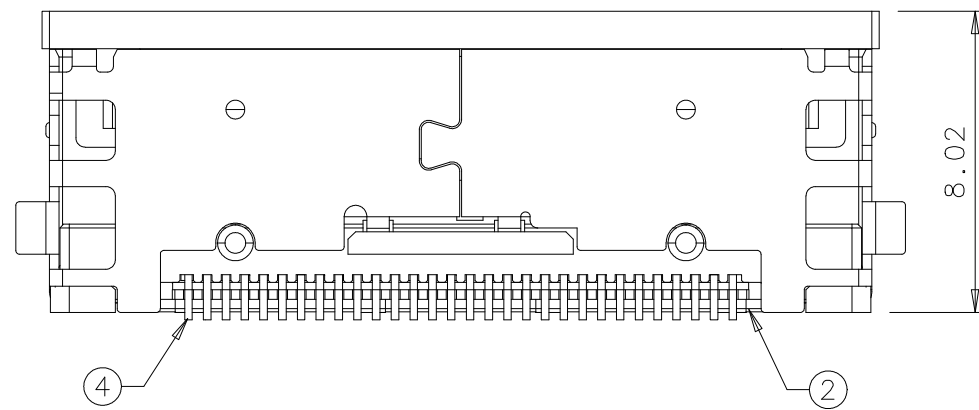
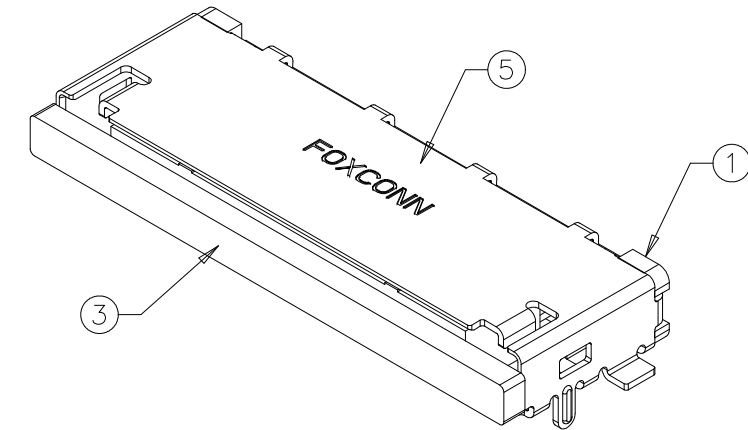
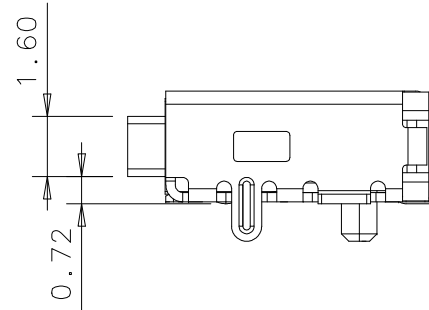
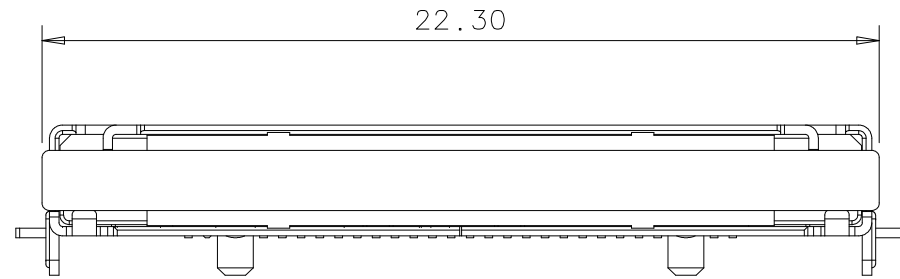


IDEAS GENERATED DRAWING. DON'T CHANGE BY HAND.

REV.	ECN. NO.	APPD.
AX6	PDK190030	Y.H. Mao

- NOTES:
- PDMI CONNECTORS CONFORM TO CEA-2017 STANDARD. REFER TO THE STANDARD FOR FURTHER INFORMATION.
 - DIMENSIONS SHALL BE INTERPRETED PER ASME Y14.5M-1994.
 - ELECTRICAL CHARACTERISTIC:
 - CONTACT CURRENT RATING:
0.5A MAX FOR PIN No. 3-5, 8-28
1.8A MAX FOR 1, 2, 6, 7, 29, 30
 - CONTACT RESISTANCE: 40m-ohm MAX. (INITIAL), 60m-ohm MAX. (AFTER)
 - DIELECTRIC WITHSTANDING VOLTAGE: DC 500Vr.m.s MAX.
 - INSULATION RESISTANCE: 100M-ohm MIN (INITIAL)
 - MECHANICAL CHARACTERISTIC:
 - OPERATING TEMPERATURE: -40°C TO +85°C
 - MECHANICAL DURABILITY: 10,000 CYCLES.



QV5130C-E302-9H

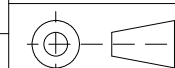
SERIES PREFIX
PDA DOCKING
TERMINATION TYPE
5=R/A SMT TYPE
CONTACT DESIGN TYPE
1=PLUG
NO. OF CONTACT POS.
30=30POS.
CONTACT AREA PLATING

LEAD FREE CODE:
H=LEAD FREE &
HALOGEN FREE
PACKAGING CODE:
9=CARRIER TAPE & CAP
EXTENTION CODE.

⑤	SHELL	STAINLESS STEEL	NICKEL UNDER PLATING. Pd FLASH ON SOLDER AREA
④	CONTACT	COPPER ALLOY	NICKEL UNDER PLATING. GOLD PLATING OVER Pd/Ni ON CONTACT MATING AREA GOLD FLASH ON CONTACT SOLDER AREA
③	CAP	HI-TEMP THERMOPLASTIC UL 94V-0	COLOR: BLACK
②	SPACER	HI-TEMP THERMOPLASTIC UL 94V-0	COLOR: BLACK
①	HOUSING	HI-TEMP THERMOPLASTIC UL 94V-0	COLOR: BLACK

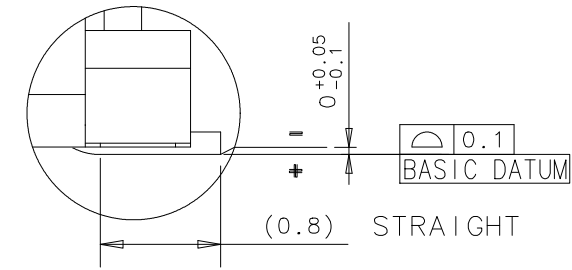
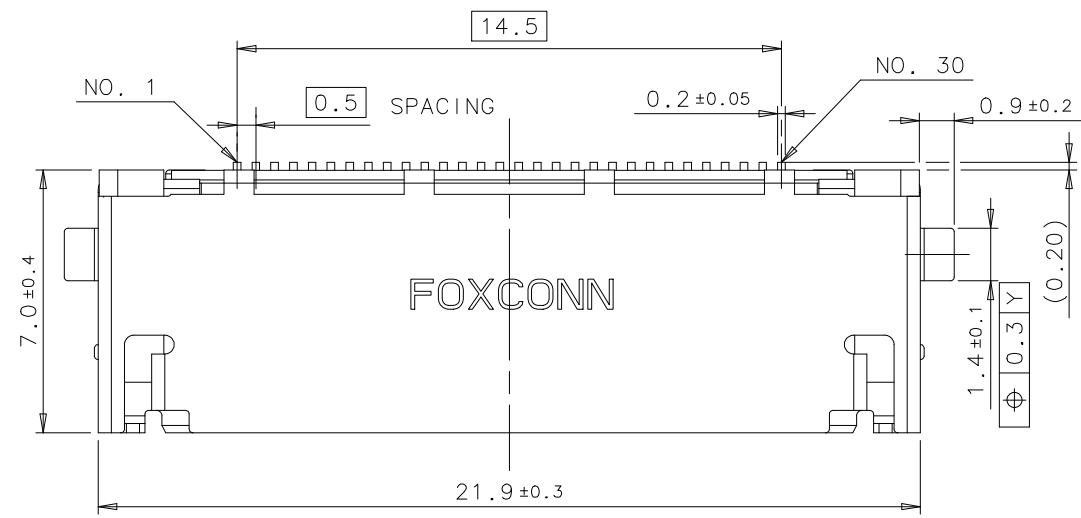
ITEM	DESPRIPTION	MATERIAL	TREATMENT
X. ±	X° ±	UNITS mm	NAME (INTENDED USE)
.X ± 0.30	.X° ±	MAT'L	PDA DOCKING CONNECTOR 0.5MM PITCH 30POS. PLUG
.XX ± 0.25	.XX° ±	SEE TABLE	PART NO. (INTENDED USE)
.XXX ±	.XXX° ±	FINISH	QV5130C-E302-9H
THESE DRAWINGS AND SPECIFICATIONS ARE THE PROPERTY OF HON HAI PRECISION IND. CO., LTD. AND SHALL NOT BE REPRODUCED, COPIED OR USED IN ANY MANNER WITHOUT THE PRIOR WRITTEN CONSENT OF HON HAI PRECISION IND. CO., LTD.		Q'TY	APPD: Y.H. Mao
		SEE TABLE	CHKD: Z.H. Fang
		SEE TABLE	DR: Z.P. Wu 9/8'11
			FOXCONN HON HAI PRECISION IND. CO., LTD. TAIPEI, TAIWAN, R.O.C.
			TITLE: CUSTOMER DRAWING
			DWG NO.: 373-0000-072
			SCALE SHEET REV. 1/4 AX6

PROPOSAL

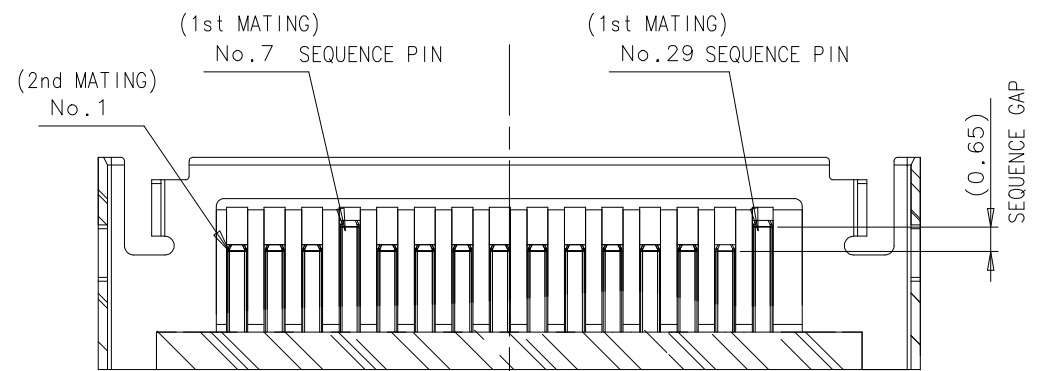
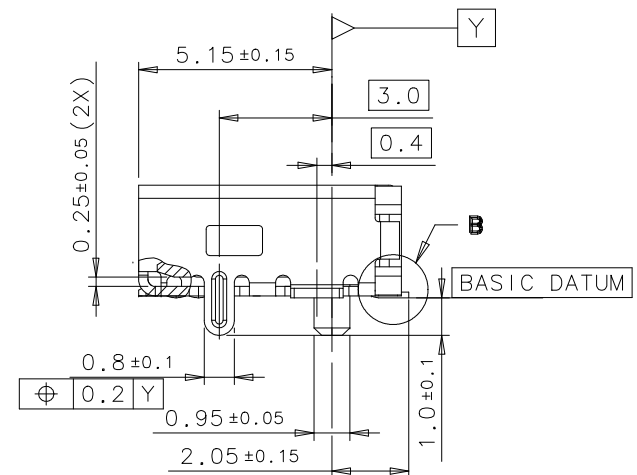
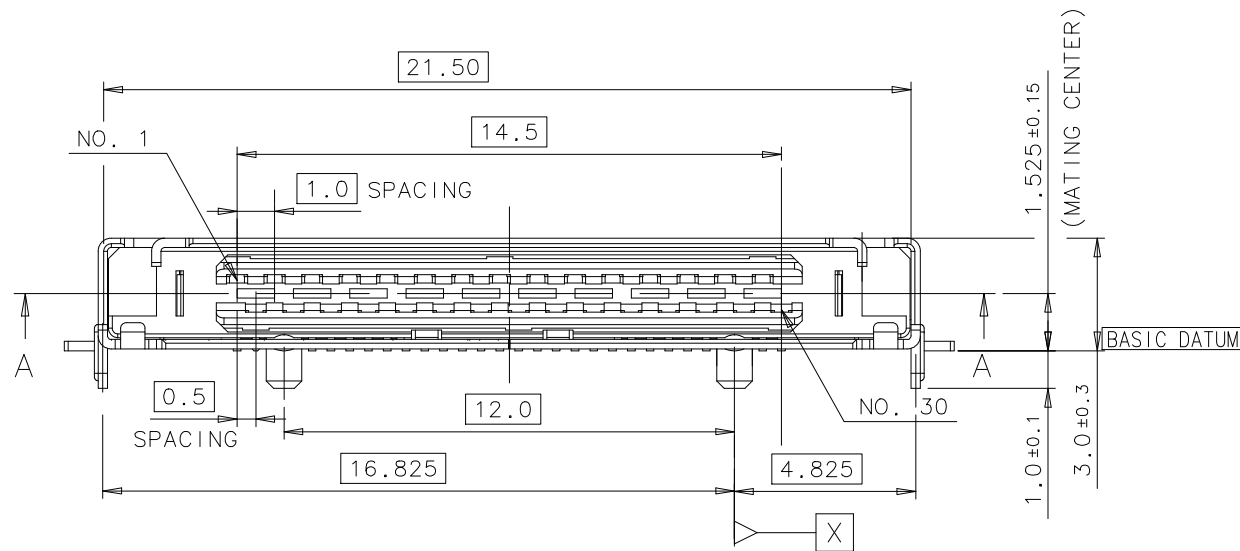


IDEAS GENERATED DRAWING. DON'T CHANGE BY HAND.

REV.	ECN. NO.	APPD.
------	----------	-------



DETAIL B



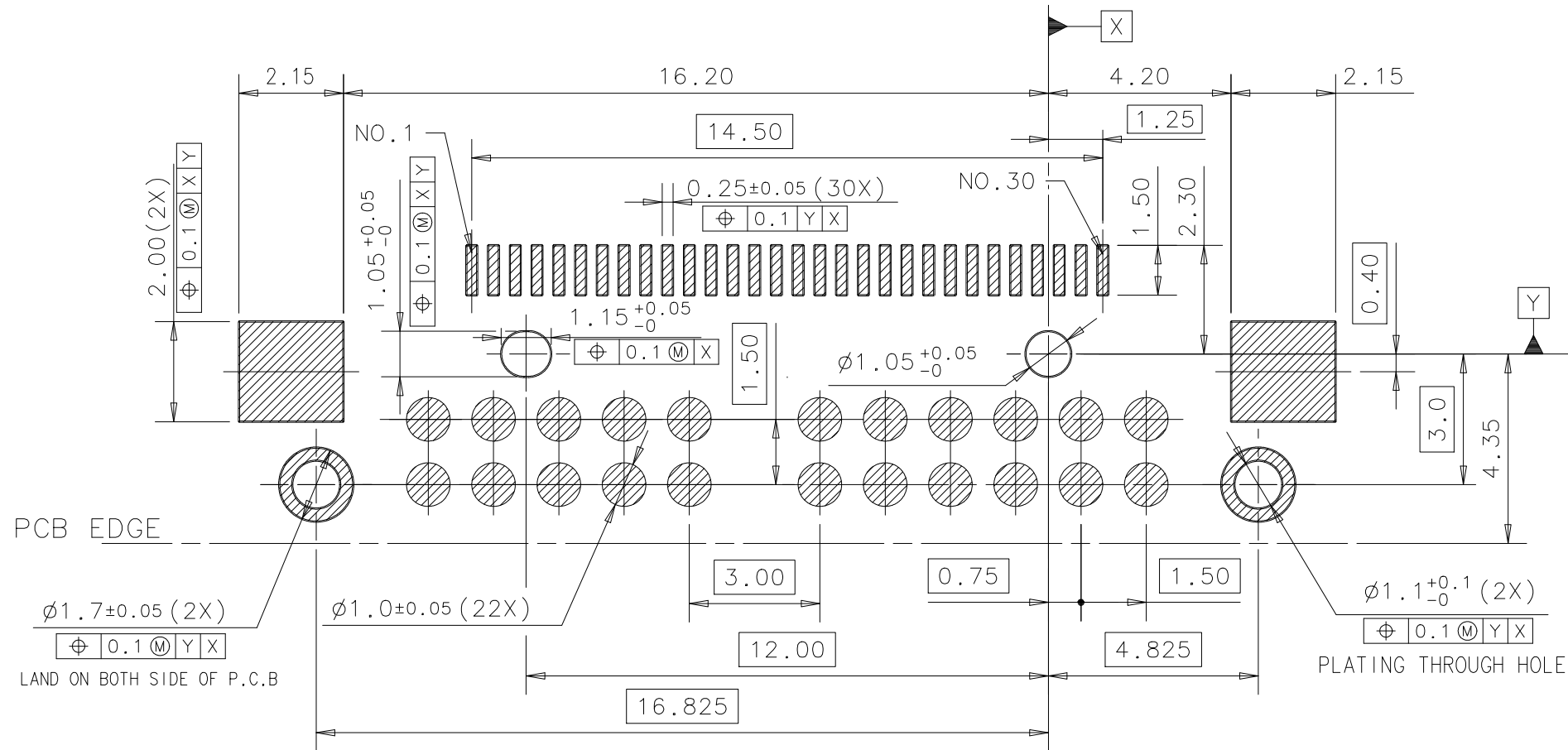
SECTION A-A

PROPOSAL

X. ±	X° ±	UNITS mm	NAME (INTENDED USE)	FOXCONN HON HAI PRECISION IND. CO., LTD. TAIPEI, TAIWAN, R.O.C.		
.X ± 0.30	.X° ±	MAT'L	PDA DOCKING CONNECTOR 0.5MM PITCH 30POS. PLUG			
.XX ± 0.25	.XX° ±	SEE TABLE	PART NO. (INTENDED USE)	TITLE:		
.XXX ±	.XXX° ±	FINISH	QV5130C-E302-9H	CUSTOMER DRAWING		
THESE DRAWINGS AND SPECIFICATIONS ARE THE PROPERTY OF HON HAI PRECISION IND. CO., LTD. AND SHALL NOT BE REPRODUCED. COPIED OR USED IN ANY MANNER WITHOUT THE PRIOR WRITTEN CONSENT OF HON HAI PRECISION IND. CO., LTD.			APPD: Y.H. Mao	DWG NO.:		
			Q'TY	CHKD: Z.H. Fang	373-0000-072	
			SEE TABLE	DR: Z.P. Wu 9/8'11		
				SCALE	SHEET	REV.
					2/4	AX6

IDEAS GENERATED DRAWING. DON'T CHANGE BY HAND.

REV.	ECN. NO.	APPD.



REFERENCE P.C.B LAYOUT

- 1. THICKNESS: 0.5mm.
- 2. TOLERANCE: ±0.05.

PIN No.	PIN DESCRIPTION	SEQUENCE	WIPING LENGTH
1	USB 5V	2ND MATING	0.90mm
2	USB DGND	1ST MATING	1.55mm
3	USB D+	2ND MATING	0.90mm
4	USB OTG	2ND MATING	0.90mm
5	USB D-	2ND MATING	0.90mm
6	HC 12V	2ND MATING	0.90mm
7	DGND/HC GND	1ST MATING	1.55mm
8	SPDIF Output	2ND MATING	0.90mm
9	AP +3.3V	2ND MATING	0.90mm
10	VGND	2ND MATING	0.90mm
11	Composite V/C-Y	2ND MATING	0.90mm
12	C-Cr	2ND MATING	0.90mm
13	C-Cb	2ND MATING	0.90mm
14	VIN AGND	2ND MATING	0.90mm
15	VIN	2ND MATING	0.90mm
16	AA ID	2ND MATING	0.90mm
17	Serial TX	2ND MATING	0.90mm
18	Serial RX	2ND MATING	0.90mm
19	Remote C	2ND MATING	0.90mm
20	RIN	2ND MATING	0.90mm
21	LIN	2ND MATING	0.90mm
22	AGND	2ND MATING	0.90mm
23	ROUT	2ND MATING	0.90mm
24	LOUT	2ND MATING	0.90mm
25	AGND	2ND MATING	0.90mm
26	VROUT	2ND MATING	0.90mm
27	VLOUT	2ND MATING	0.90mm
28	ANT	2ND MATING	0.90mm
29	HC GND	1ST MATING	1.55mm
30	HC 12V	2ND MATING	0.90mm

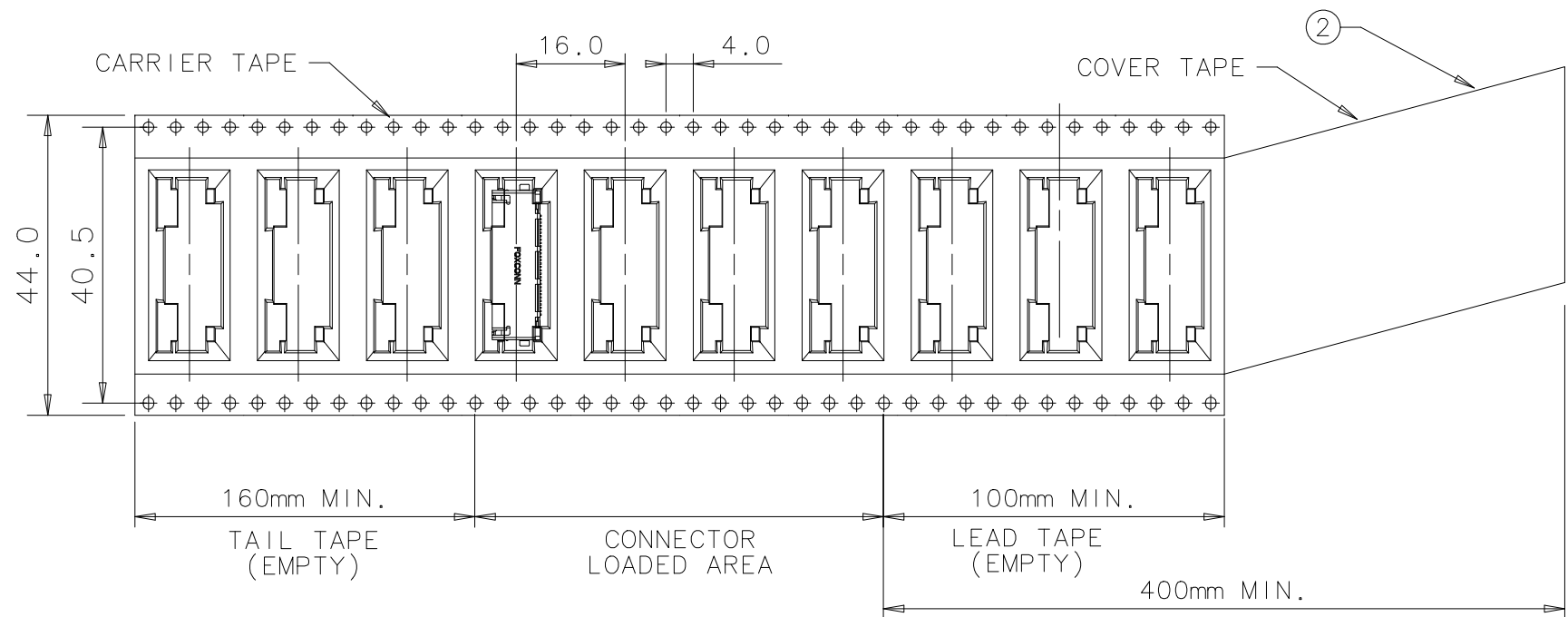
PIN ASSIGNMENT,
SEQUENCE & WIPING LENGTH

PROPOSAL

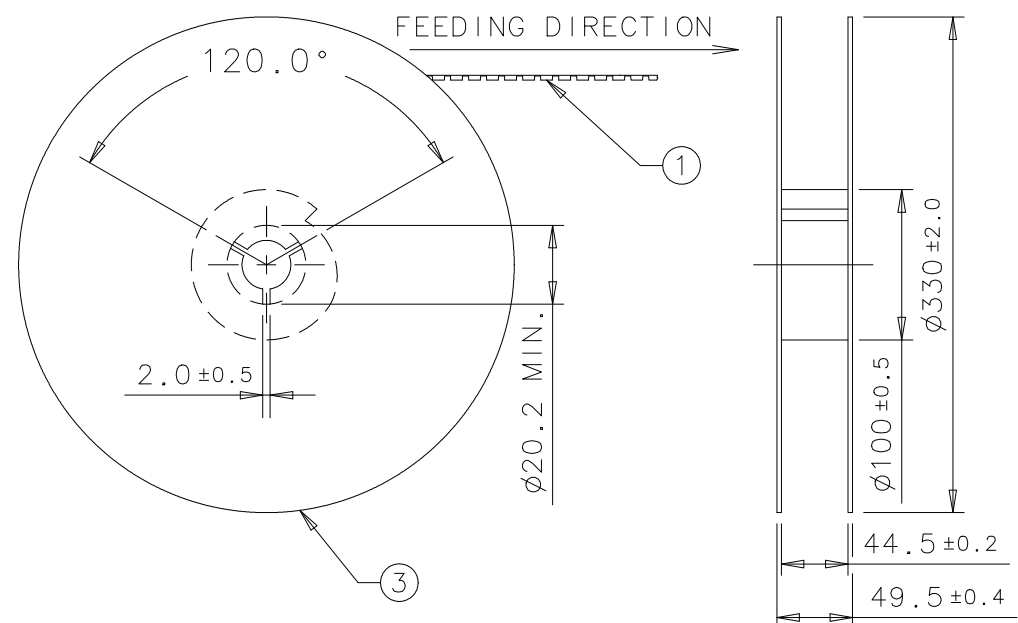
X. ± 0.15	X.° ±	UNITS	mm	NAME (INTENDED USE) PDA DOCKING CONNECTOR 0.5MM PITCH 30POS. PLUG	FOXCONN HON HAI PRECISION IND. CO., LTD. TAIPEI, TAIWAN, R.O.C.			
.X ± 0.10	.X° ±	MAT'L						
.XX ± 0.05	.XX° ±	FINISH		PART NO. (INTENDED USE) QV5130C-E302-9H	TITLE: CUSTOMER DRAWING			
.XXX ±	.XXX° ±		Q'TY		APPD: Y.H. Mao	DWG NO.: 373-0000-072		
THESE DRAWINGS AND SPECIFICATIONS ARE THE PROPERTY OF HON HAI PRECISION IND. CO., LTD. AND SHALL NOT BE REPRODUCED. COPIED OR USED IN ANY MANNER WITHOUT THE PRIOR WRITTEN CONSENT OF HON HAI PRECISION IND. CO., LTD.				CHKD: Z.H. Fang		SCALE	SHEET	REV.
				DR: Z.P. Wu 9/8'11			3/4	AX6

IDEAS GENERATED DRAWING. DON'T CHANGE BY HAND.

REV.	ECN. NO.	APPD.

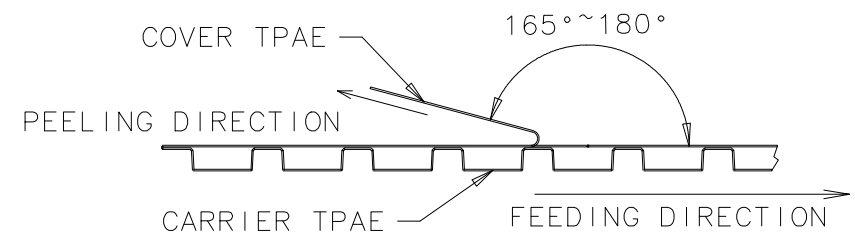


PROPOSAL



NOTES:

- 10 POCKETS HOLE PITCH CUMULATIVE TOLERANCE $\pm 0.20\text{mm}$.
- NUMBER OF CONNECTORS : 800 PCS/REEL.
- COVER TAPE PEELING STRENGTH : 0.1 KgF MAX. AT 300mm/min.



③	REEL	POLYSTYRENE
②	COVER TAPE	POLYESTER
①	CARRIER TAPE	POLYSTYRENE
ITEM	DESCRIPTION	MATERIAL

X. ± 0.35	X° ±	UNITS mm	NAME (INTENDED USE)	FOXCONN HON HAI PRECISION IND. CO., LTD. TAIPEI, TAIWAN, R.O.C.
.X ± 0.25	.X° ±	MAT'L	PDA DOCKING CONNECTOR 0.5MM PITCH 30POS. PLUG	
.XX ± 0.20	.XX° ±	SEE TABLE	PART NO. (INTENDED USE)	
.XXX ±	.XXX° ±	FINISH	QV5130C-E302-9H	
THESE DRAWINGS AND SPECIFICATIONS ARE THE PROPERTY OF HON HAI PRECISION IND. CO., LTD. AND SHALL NOT BE REPRODUCED, COPIED OR USED IN ANY MANNER WITHOUT THE PRIOR WRITTEN CONSENT OF HON HAI PRECISION IND. CO., LTD.			APPD: Y.H. Mao	
			CHKD: Z.H. Fang	TITLE: CUSTOMER DRAWING
			DR: Z.P. Wu 9/8'11	DWG NO.: 373-0000-072
				SCALE SHEET REV.
				4/4 AX6