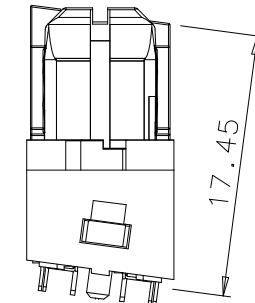
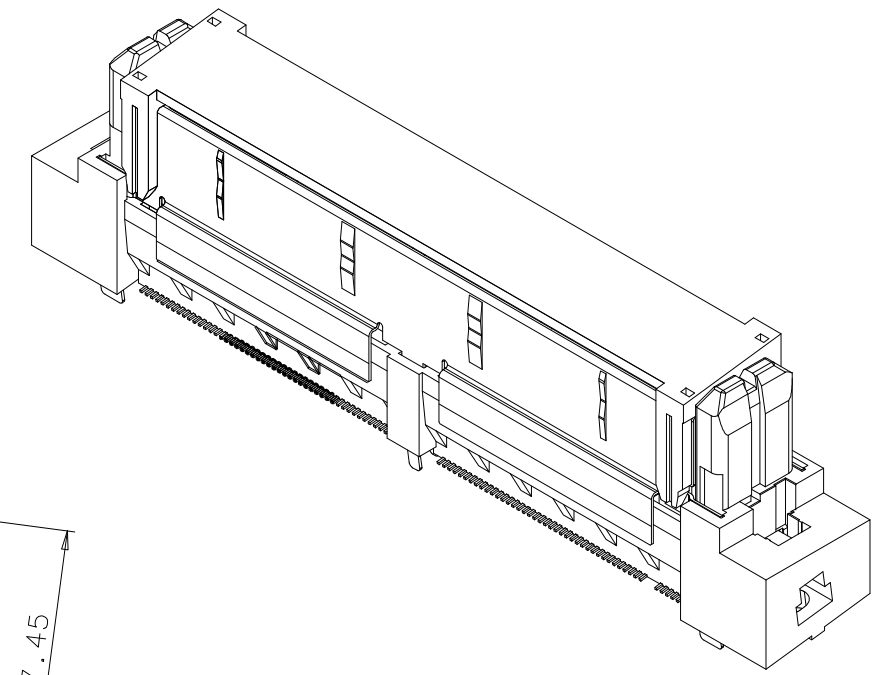
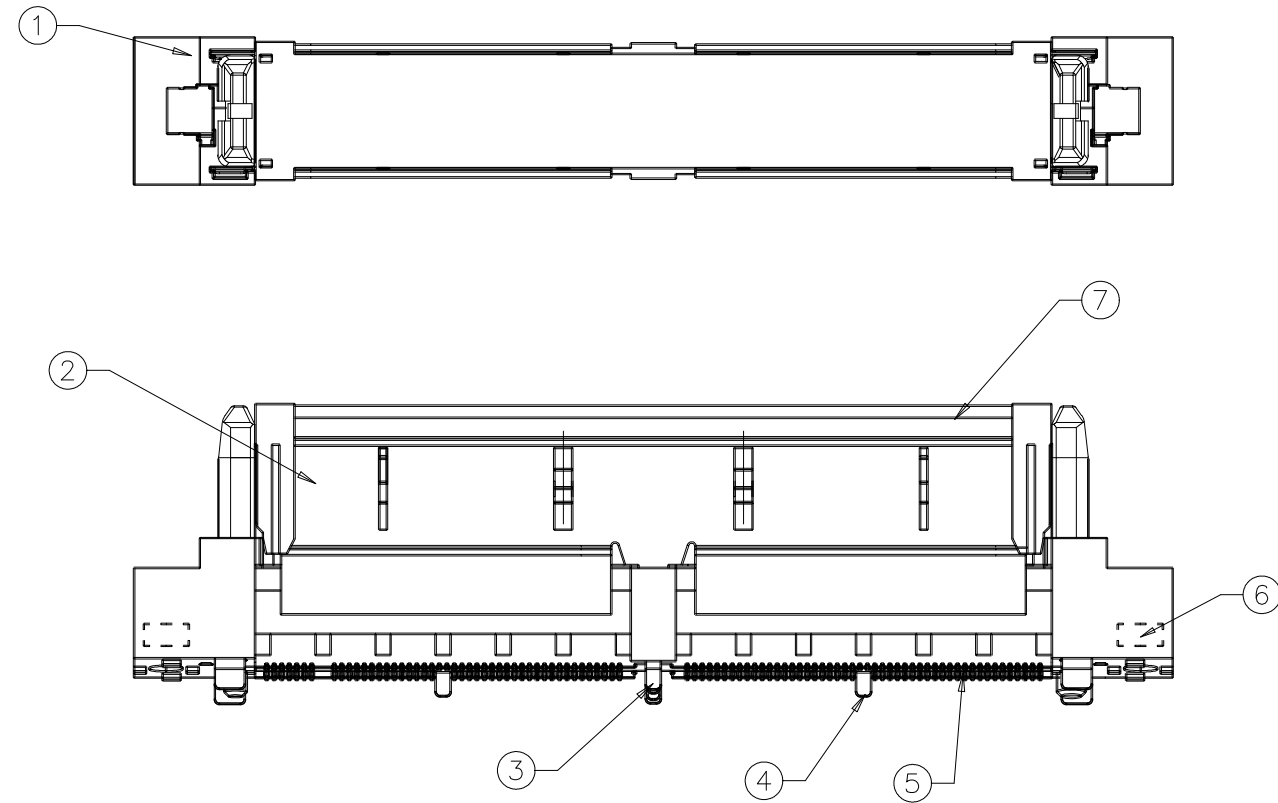


IDEAS GENERATED DRAWING, DON'T CHANGE BY HAND.

REV.	ECN. NO.	APPD.
A	BC-08-7163752	Bruce Wu
B	BC-09-7089145	Bruce Wu
C	BC-10-0037466	Bruce Wu



NOTES:

1. ELECTRICAL CHARACTERISTICS:

- 1-1. SIGNAL CONTACT CURRENT RATING: 0.5 Ampere PER CONTACT.
- 1-2. POWER CONTACT CURRENT RATING: 12.0 Ampere PER CONTACT FOR 18.5V.
- 1-3. CONTACT RESISTANCE: 160 m-ohm MAX. (INITIAL)
180 m-ohm MAX. (AFTER)

1-3. INSULATION RESISTANCE: 100 Megohms MIN..

1-4. WITHSTANDING VOLTAGE: 500V DC.

2. MECHANICAL SPECIFICATION:

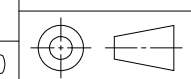
- 2-1. CONNECTOR INSERTION FORCE: 3.0 Kgf MAX.
- 2-2. CONNECTOR EXTRACTION FORCE: 3.0 Kgf MAX.
- 2-3. DURABILITY: 10000 CYCLES.

3. ENVIRONMENT SPECIFICATION:

- 3-1. OPERATING TEMPERATURE: -40°C TO +85°C.
- 4. THE PRODUCTS ARE LUBRICATED WITH NYE 570H-10 LUBRICANT.
- 5. PLEASE CONTACT FOXCONN SALES REPRESENTATIVE TO VERIFY PRODUCT DETAILS & AVAILABILITY.

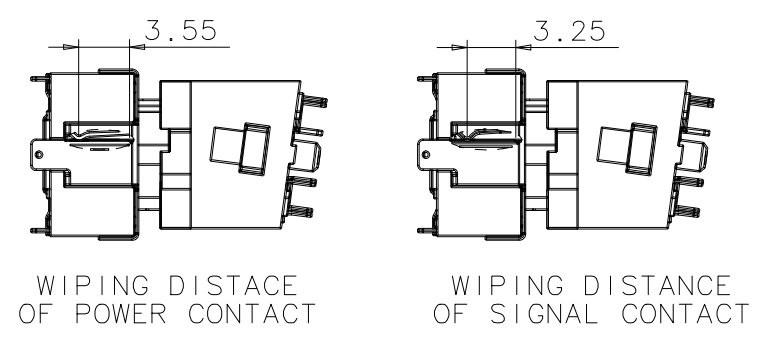
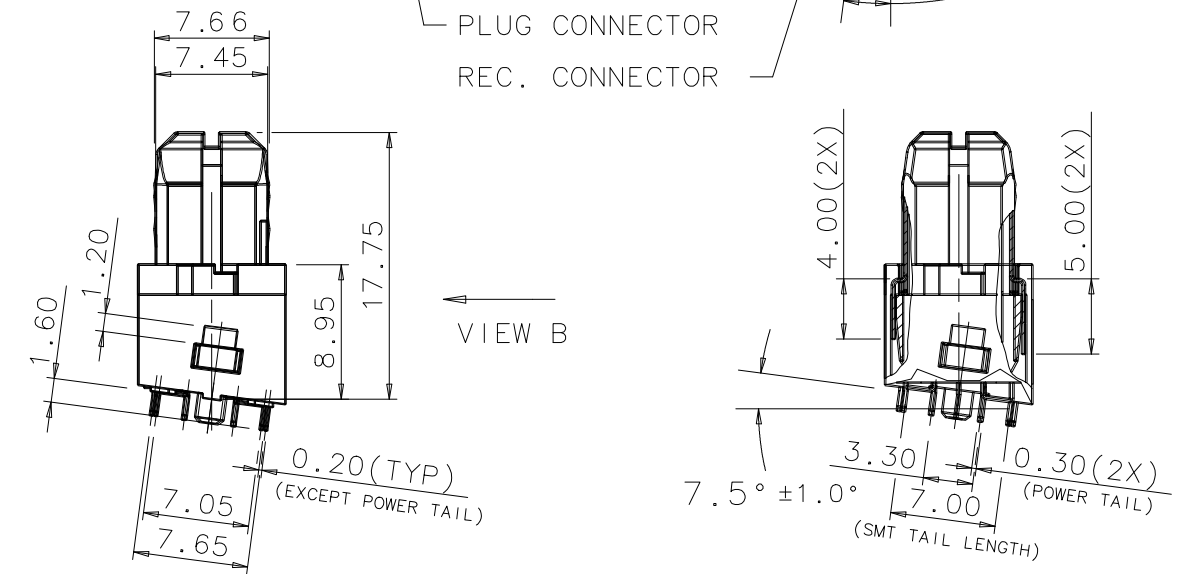
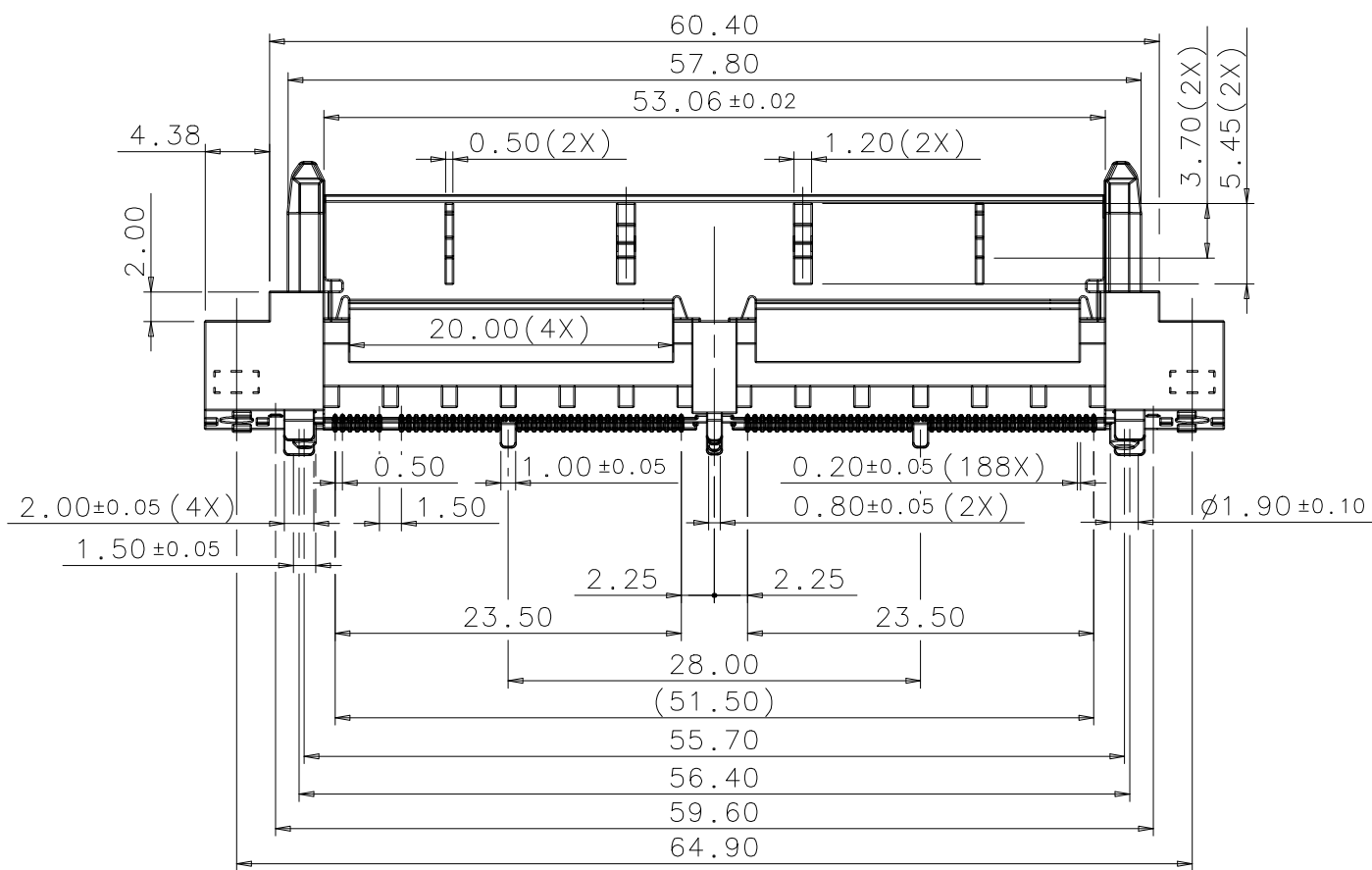
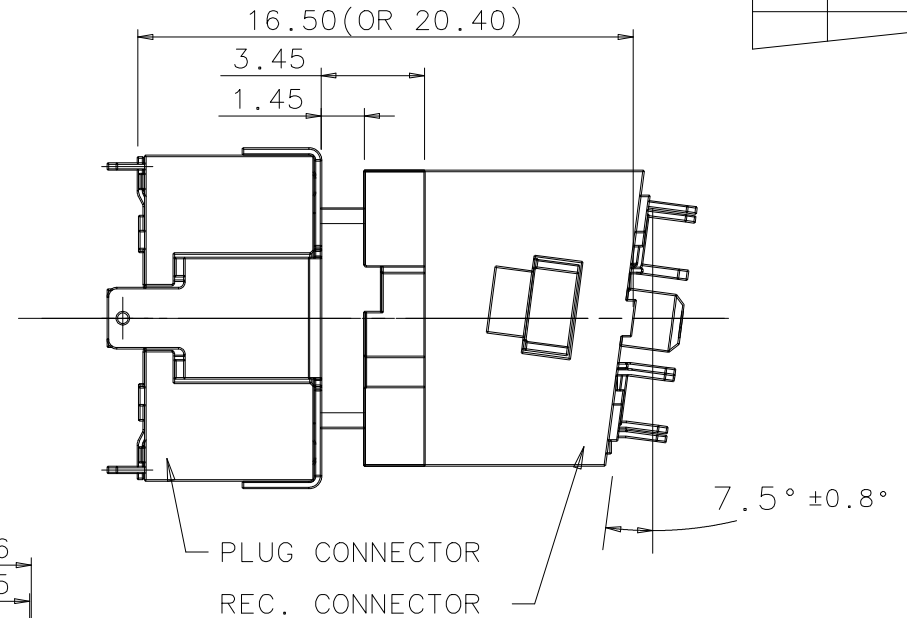
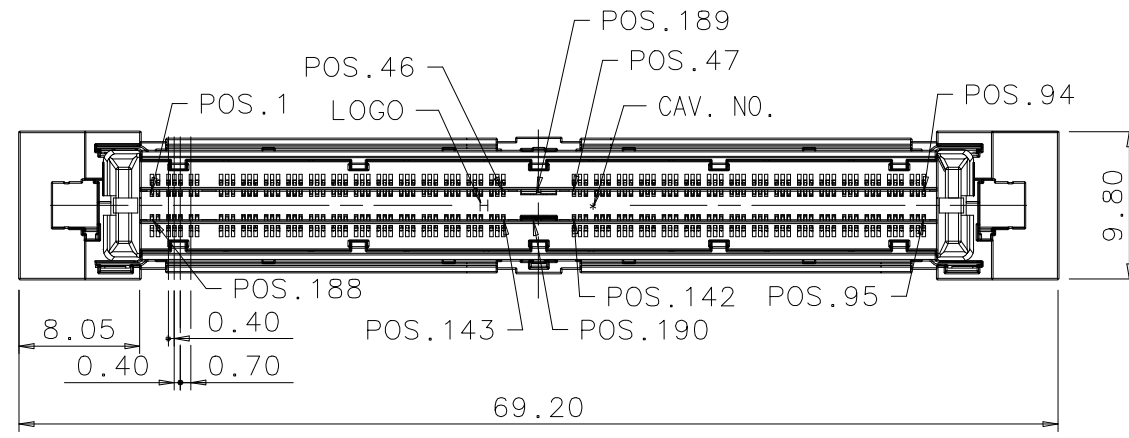
ITEM	DESCRIPTION	QTY	MATERIAL	TREATMENT
7	CAP	1	THERMOPLASTIC	UL94V-0, COLOR: BLACK
6	NUT	2	COPPER ALLOY	NICKEL PLATING
5	CONTACT	188	COPPER ALLOY	NICKEL UNDERPLATING Pd/Ni PLATING & GOLD FLASH ON CONTACT AREA GOLD FLASH ON SOLDERING AREA
4	HOLD PIN	2	STEEL	TIN PLATING OVER NICKEL UNDERPLATING
3	POWER PIN	2	COPPER ALLOY	NICKEL UNDERPLATING Pd/Ni PLATING & GOLD FLASH ON CONTACT AREA TIN PLATING ON SOLDERING AREA
2	SHELL	2	STEEL	SOLDER ABILITY Ni PLATING OVERALL
1	HOUSING	1	THERMOPLASTIC	UL94V-0, COLOR: BLACK

X. ±		X°. ±		UNITS	NAME (INTENDED USE)	FOXCONN
.X ± 0.25		.X° ± 1°		mm		
.XX ± 0.15		.XX° ±		MAT'L	PART NO. (INTENDED USE)	TITLE:
.XXX ±		.XXX° ±			FINISH	QL0194L-D26F01-6H
THESE DRAWINGS AND SPECIFICATIONS ARE THE PROPERTY OF HON HAI PRECISION IND. CO., LTD. AND SHALL NOT BE REPRODUCED COPIED OR USED IN ANY MANNER WITHOUT THE PRIOR WRITTEN CONSENT OF HON HAI PRECISION IND. CO., LTD.				Q'TY	APPD: Bruce Wu	DWG NO.:
					CHKD: Z.H. Fang	353-0000-1085
					DR: Penney Pan 4/13'10	SCALE SHEET REV.
						N/A 1/4 C



IDEAS GENERATED DRAWING, DON'T CHANGE BY HAND.

REV.	ECN. NO.	APPD.
------	----------	-------



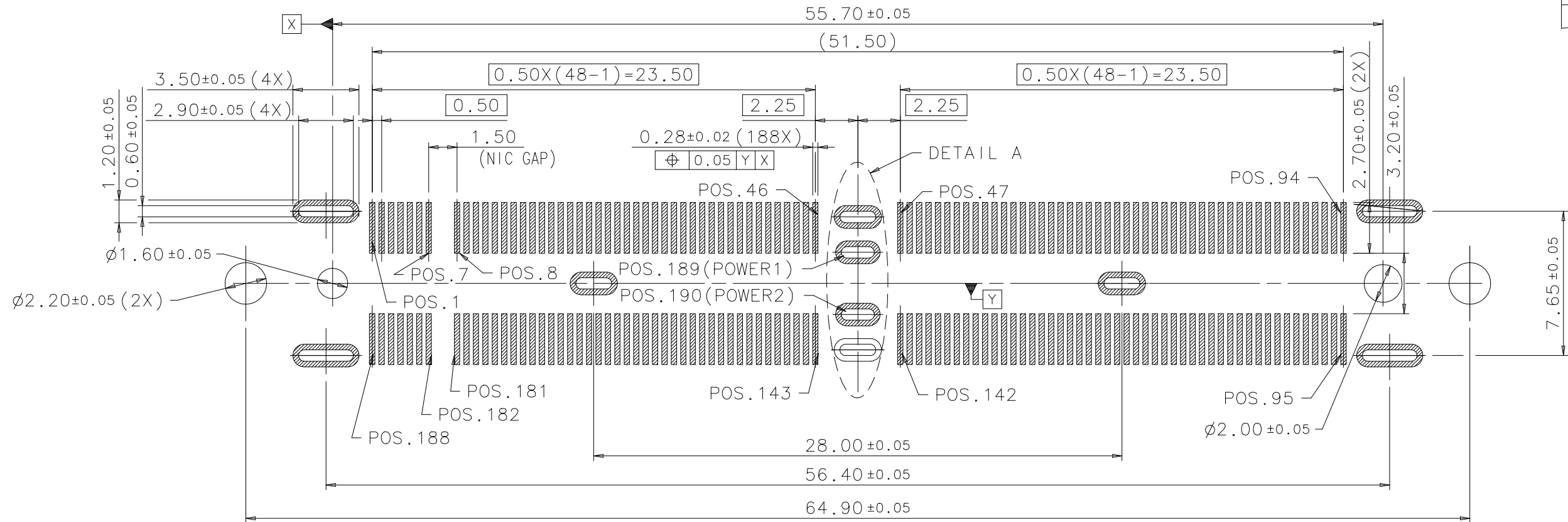
Q L O 1 9 4 L - D 2 6 F 0 1 - 6 H

- 6H=CAP & SOFT TRAY & HALOGEN/LEAD FREE
- EXTENDED CODE
- SMT TAIL
- BODY HEIGHT: F=15.x mm
- PLASTIC GUIDE & WITH POWER PIN
- 2=TOTAL 2 ROWS
- PITCH: D=0.5mm
- CONTACT AREA PLATING: Pd/Ni PLATING & GOLD FLASH
- NO. OF CONTACT POSITION
- 94=94POS / ROW, TOTAL 188POS
- CONTACT DESIGN TYPE: 1=RECEPTACLE
- TERMINAL TYPE: 0=VERTICAL
- FAMILY CODE

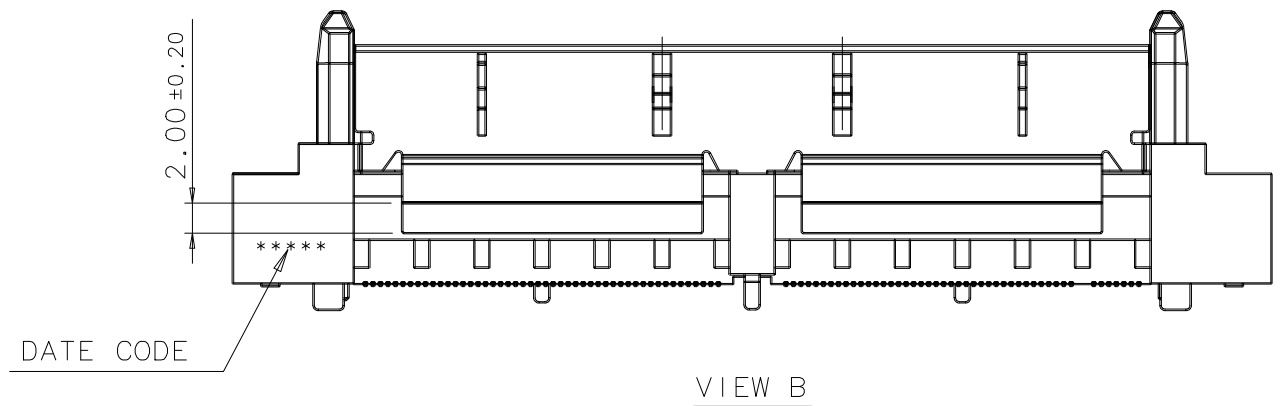
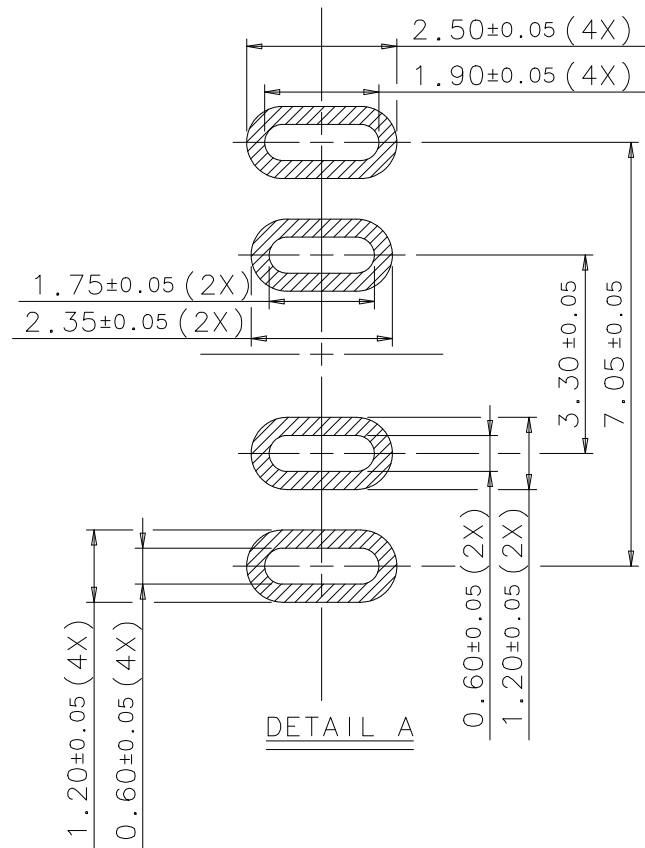
X. ±	X° ±	UNITS mm	NAME (INTENDED USE)	FOXCONN HON HAI PRECISION IND. CO., LTD. TAIPEI, TAIWAN, R.O.C.
.X ± 0.25	.X° ± 1°	MAT'L	DOCKING CONNECTOR 0.5MM PITCH 188POS RECEPTACLE	
.XX ± 0.15	.XX° ±	FINISH	PART NO. (INTENDED USE)	TITLE:
.XXX ±	.XXX° ±		QL0194L-D26F01-6H	CUSTOMER DRAWING
THESE DRAWINGS AND SPECIFICATIONS ARE THE PROPERTY OF HON HAI PRECISION IND. CO., LTD. AND SHALL NOT BE REPRODUCED COPIED OR USED IN ANY MANNER WITHOUT THE PRIOR WRITTEN CONSENT OF HON HAI PRECISION IND. CO., LTD.			APPD: Bruce Wu	DWG NO.:
			CHKD: Z.H. Fang	353-0000-1085
Q'TY			DR: Penney Pan 4/13'10	SCALE SHEET REV.
				N/A 2/4 C

IDEAS GENERATED DRAWING, DON'T CHANGE BY HAND.

REV.	ECN. NO.	APPD.
------	----------	-------



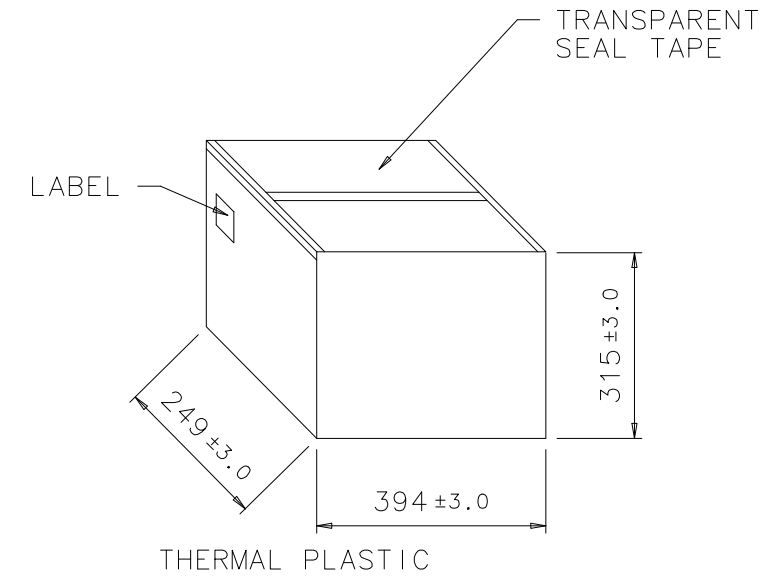
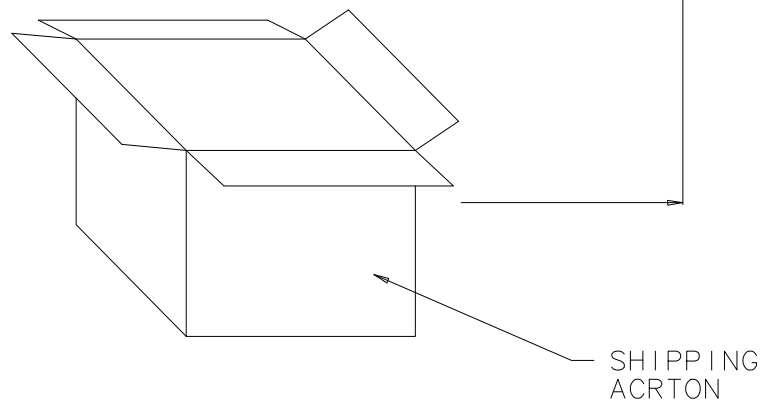
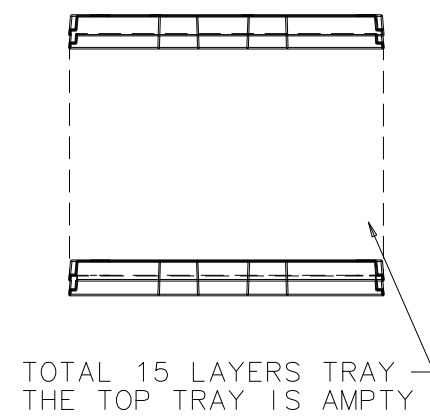
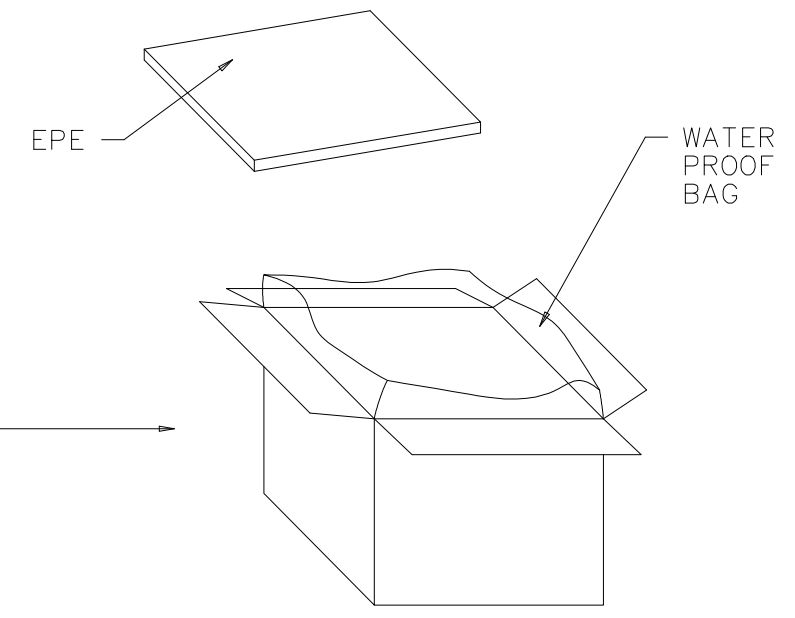
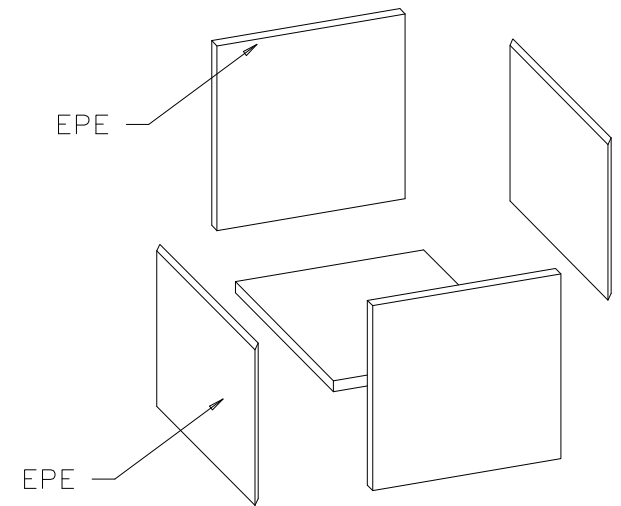
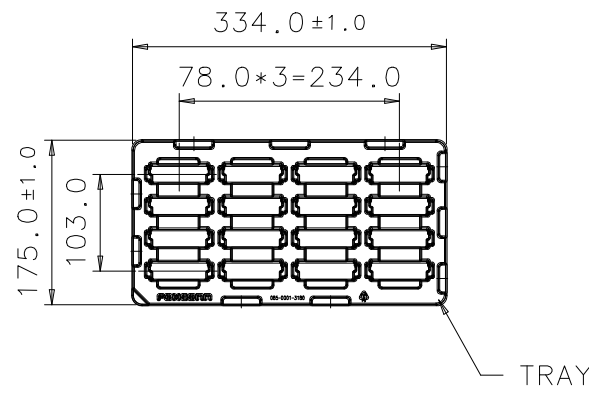
RECOMMENDED P.C.B. LAYOUT
THE THICKNESS IS 1.20±0.05mm



X. ±	X°. ±	UNITS mm	NAME (INTENDED USE)	FOXCONN HON HAI PRECISION IND. CO., LTD. TAIPEI, TAIWAN, R.O.C.
.X ± 0.25	.X° ± 1°	MAT'L	DOCKING CONNECTOR 0.5MM PITCH 188POS RECEPTACLE	
.XX ± 0.15	.XX° ±	FINISH	PART NO. (INTENDED USE)	TITLE:
.XXX ±	.XXX° ±		QL0194L-D26F01-6H	CUSTOMER DRAWING
THESE DRAWINGS AND SPECIFICATIONS ARE THE PROPERTY OF HON HAI PRECISION IND. CO., LTD. AND SHALL NOT BE REPRODUCED COPIED OR USED IN ANY MANNER WITHOUT THE PRIOR WRITTEN CONSENT OF HON HAI PRECISION IND. CO., LTD.			APPD: Bruce Wu	DWG NO.:
			CHKD: Z.H. Fang	353-0000-1085
Q'TY			DR: Penney Pan 4/13'10	SCALE SHEET REV.
				N/A 3/4 C

IDEAS GENERATED DRAWING, DON'T CHANGE BY HAND.

REV.	ECN. NO.	APPD.



NOTES:
1. PACKING CAPACITY:

PCS/TRAY	TRAY/BOX	PCS/BOX
16	11	176

X. ±	X°. ±	UNITS mm	NAME (INTENDED USE)	FOXCONN HON HAI PRECISION IND. CO., LTD. TAIPEI, TAIWAN, R.O.C.
.X ± 0.25	.X° ± 1°	MAT'L	DOCKING CONNECTOR 0.5MM PITCH 188POS RECEPTACLE	
.XX ± 0.15	.XX° ±	FINISH	PART NO. (INTENDED USE)	TITLE:
.XXX±	.XXX°±		QL0194L-D26F01-6H	CUSTOMER DRAWING
THESE DRAWINGS AND SPECIFICATIONS ARE THE PROPERTY OF HON HAI PRECISION IND. CO., LTD. AND SHALL NOT BE REPRODUCED COPIED OR USED IN ANY MANNER WITHOUT THE PRIOR WRITTEN CONSENT OF HON HAI PRECISION IND. CO., LTD.			APPD: Bruce Wu	DWG NO.:
			CHKD: Z.H. Fang	353-0000-1085
			DR: Penney Pan 4/13'10	
				SCALE
				SHEET
				REV.
				N/A
				4/4
				C