

REV.	ECN. NO.	APPD.
A	BC-07-7062973	Hao Gu

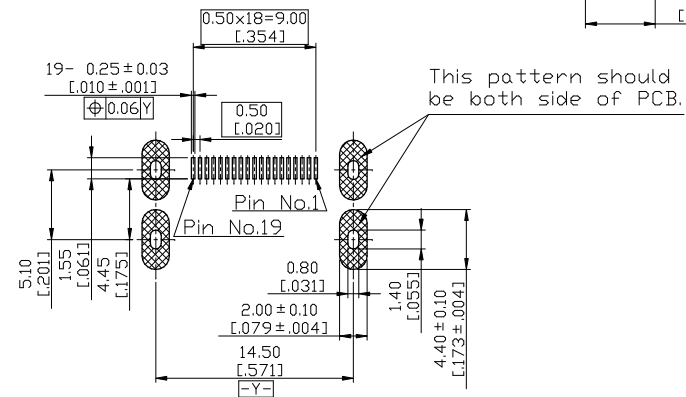
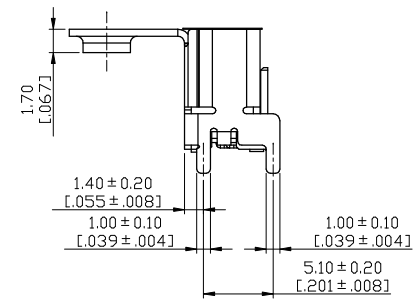
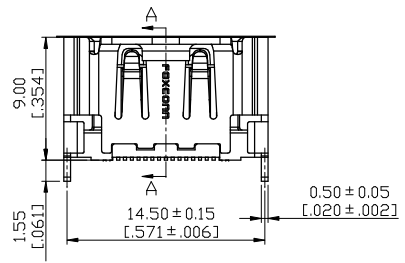
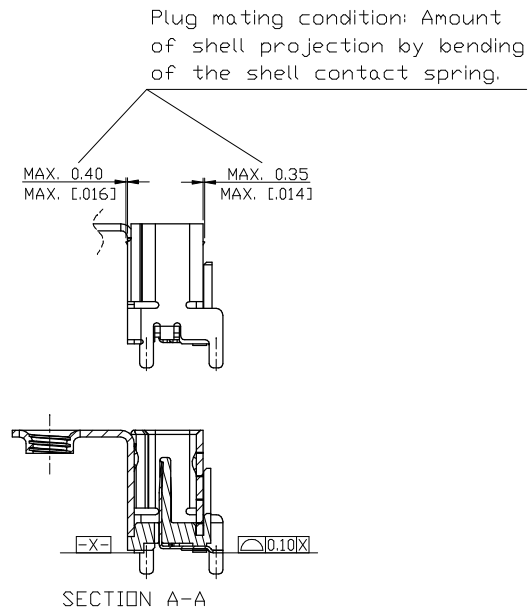
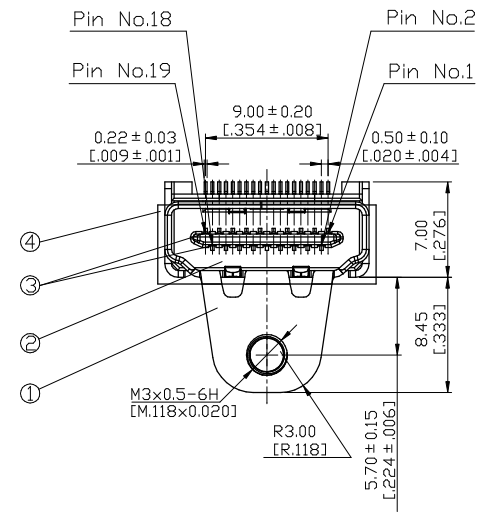
NOTES:

- ELECTRICAL CHARACTERISTICS:
 - CONTACT CURRENT RATING: 0.5A.
CONTACT RATED VOLTAGE: 40V AC .
 - CONTACT RESISTANCE:
INITIAL: EXCLUDING CONDUCTOR 10 mOHMS MAX.
AFTER TEST: CHANGE FROM INITIAL VALUE 30 mOHMS MAX.
 - SHELL RESISTANCE:
INITIAL: 50 mOHMS MAX.
AFTER TEST: CHANGE FROM INITIAL VALUE 50 mOHMS MAX.
 - DIELECTRIC WITHSTANDING VOLTAGE: 500V AC RMS.
 - INSULATION RESISTANCE:
UNMATED PLUG: 100 MOHMS MIN. AT 500V DC.
MATED PLUG: 10 MOHMS MIN. AT 150V DC.
- MECHANICAL CHARACTERISTICS:
 - CONNECTOR MATING FORCE: 4.5 kgf MAX.
 - CONNECTOR UNMATING FORCE: 1.0~4.0 kgf.
 - DURABILITY: 10000 CYCLES.
- OPERATING TEMPERATURE: -20°C TO +85°C.
- RECOMMENDED PROCESS:
IR REFLOW, PEAK UP TEMPERATURE 230°C~250°C, 20s~40s.
- THE CONNECTOR IS ROHS COMPLIANT.

PRODUCT NO.: QJ 4 1 19 3 - FEB4 - 4 F

Series Prefix: High Definition Media Interface
 Termination Type: 4: Vertical, SMT Type
 Connector Type: 1: Receptacle
 No. of Contact Position: 19: 19pin
 Contact Area Plating: 3: 30u" Gold Plating

Lead Free Code: F: Lead Free
 Package Code: 4: Soft Tray
 Extension Code



RECOMMENDED P.C.B LAYOUT (TOP VIEW)
 DEFAULT DIMENSION TOL: ±0.05 [0.002]

ITEM	DESCRIPTION	QTY	MATERIAL	TREATMENT	REMARK
4	SUCTION TAPE	1	POLYIMID	NONE	
3	CONTACT	19	COPPER ALLOY	Ni UNDERPLATING; GOLD FLASH AT SOLDER AREA; GOLD PLATING AT CONTACT AREA.	
2	HOUSING	1	THERMOPLASTIC UL94V-0	MOLDED COLOR: BLACK	
1	SHELL	1	COPPER ALLOY	Ni PLATING OVERALL.	

X. ±	X* ±	UNITS	NAME (INTENDED USE)	FOXCONN HON HAI PRECISION IND. CO., LTD. TAIPEI, TAIWAN, R.O.C.
.X ±0.30 [0.12]	.X* ±	mm [Inch]	CUSTOMER	
.XX ±0.25 [0.10]	.XX* ±	N/A	PART NO. (INTENDED USE)	TITLE: HDMI RECEPTACLE 19 PIN VERTICAL, SMT TYPE
.XXX ±	.XXX* ±	FINISH	APPD: Adward Zheng 9/27/07	DWG NO: 301-0000-1552
THESE DRAWINGS AND SPECIFICATIONS ARE THE PROPERTY OF HON HAI PRECISION IND. CO., LTD. AND SHALL NOT BE REPRODUCED COPIED OR USED IN ANY MANNER WITHOUT THE PRIOR WRITTEN CONSENT OF HON HAI PRECISION IND. CO., LTD.			Q'TY	DR: Radar Sun 9/27/07
			CHKD: Hill He 9/27/07	SCALE SHEET REV. N/A 1/1 A
			DR: Radar Sun 9/27/07	