

IDEAS GENERATED DRAWING, DO NOT CHANGE BY HAND.

NOTES:

1. DIMENSIONING AND TOLERANCING PER ASME Y14.5M-1994.

⚠ MATERIAL :

- ① SOCKET BODY
 - COVER THERMAL PLASTIC, UL 94V-0, WHITE.
 - BASE THERMAL PLASTIC, UL 94V-0, BLACK.
 - CONTACT COPPER ALLOY,
- ② PICK-UP CAP THERMAL PLASTIC, UL 94V-0, BLACK.
- ③ SOLDER BALL LEADFREE.

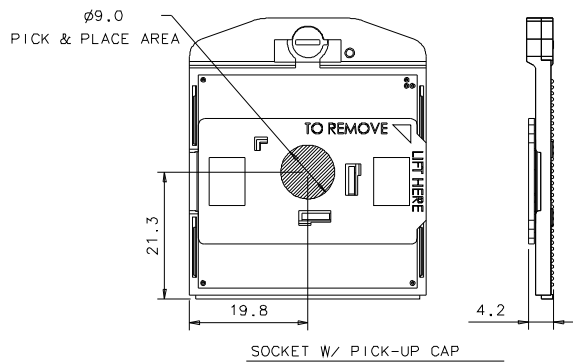
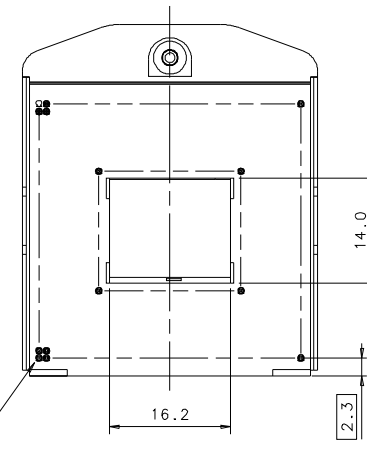
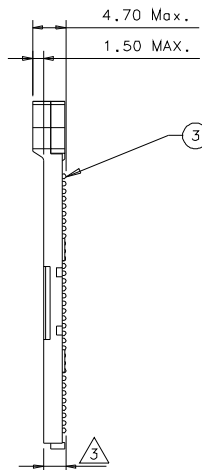
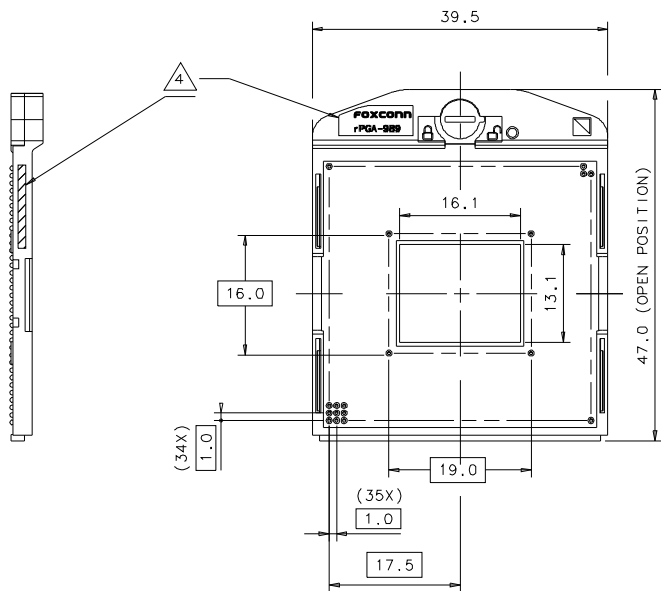
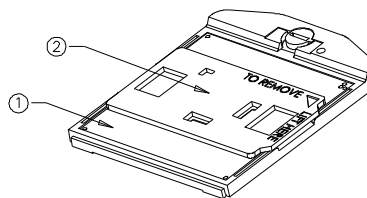
⚠ THICKNESS OF SOCKET (FROM SEATING PLANE TO THE BOTTOM OF SOLDER BALLS):
3.0±0.20 AFTER SOLDERING PROCESS

⚠ DATE CODE, SOCKET NAME AND FOXCONN LOGO ARE LOCATED APPROXIMATELY.

5. HARMFUL MATERIAL CONTROL PLEASE FOLLOW DOC. NO. *EP1 12*.

6. PLEASE CONTACT FOXCONN SALES REPRESENTATIVE TO VERIFY PRODUCT DETAIL & AVAILABILITY.

REV.	ECN. NO.	APPD.
A	BC-08-7072373	Nick Lin

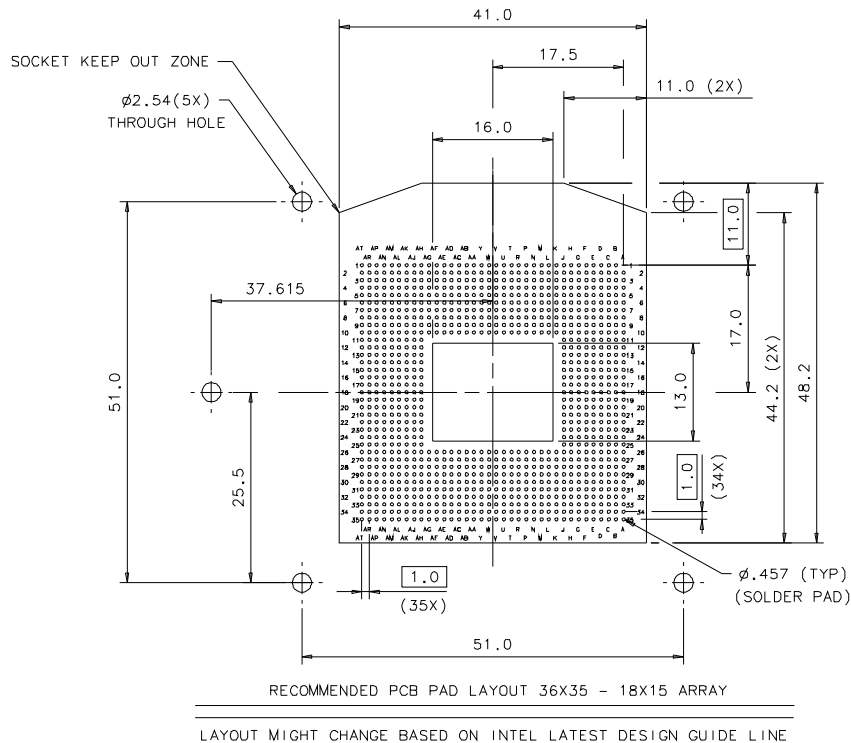
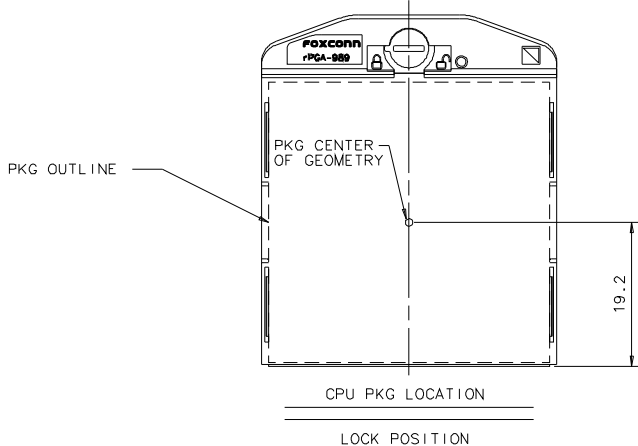
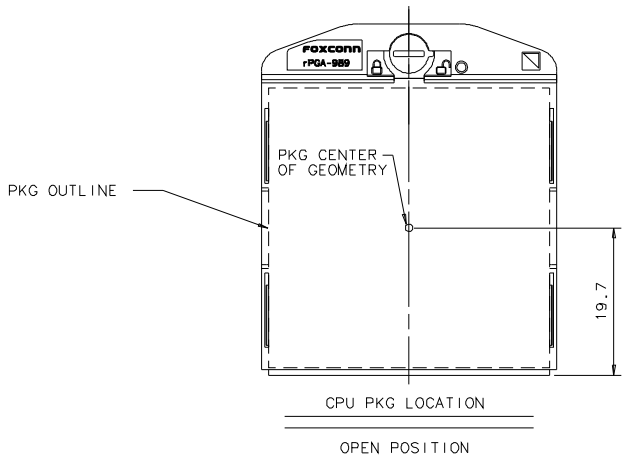


COMPONENT LIST(PZ98927-3641-01F)		
ITEM	DESCRIPTION	Q' TY
①	SOCKET BODY	1
②	PICK-UP CAP	1
③	SOLDER BALL	989

X. ±	.X° ± 1°	UNITS	mm	NAME (INTENDED USE)	FOXCONN HON HAI PRECISION IND. CO., LTD. TAIPEI, TAIWAN, R.O.C.		
.X ± 0.20	.X° ±	MAT'L	⚠	rPGA-989 SOCKET			
.XX ± 0.10	.XX° ±	FINISH		PART NO. (INTENDED USE)	TITLE: Customer drawing		
.XXX ±	.XXX° ±	Q'TY		PZ98927-3641-01F	for Socket G1_rPGA-989		
THESE DRAWINGS AND SPECIFICATIONS ARE THE PROPERTY OF HON HAI PRECISION IND. CO., LTD. AND SHALL NOT BE REPRODUCED, COPIED OR USED IN ANY MANNER WITHOUT THE PRIOR WRITTEN CONSENT OF HON HAI PRECISION IND. CO., LTD.				APPD:	Nick Lin 7/15/08		
				CHKD:	Allen Cheng 7/15/08	DWG NO.:	309-0000-1174
				DR:	Ken Chien 7/15/08	SCALE	SHEET
				⊕	N/A 1/2 A		

IDEAS GENERATED DRAWING, DO NOT CHANGE BY HAND.

REV.	ECN. NO.	APPD.
------	----------	-------



X. ±	X. ° ± 1°	UNITS	mm	NAME (INTENDED USE)	FOXCONN
.X ± 0.20	.X ° ±	MAT'L		rPGA-989 SOCKET	HON HAI PRECISION IND. CO., LTD. TAIPEI, TAIWAN, R.O.C.
.XX ± 0.10	.XX ° ±			PART NO. (INTENDED USE)	TITLE: Customer drawing for Socket G1_rPGA-989
.XXX ±	.XXX ° ±	FINISH		PZ98927-3641-01F	DWG NO.:
THESE DRAWINGS AND SPECIFICATIONS ARE THE PROPERTY OF HON HAI PRECISION IND. CO., LTD. AND SHALL NOT BE REPRODUCED, COPIED OR USED IN ANY MANNER WITHOUT THE PRIOR WRITTEN CONSENT OF HON HAI PRECISION IND. CO., LTD.				APPD:	Nick Lin 7/15'08
				CHKD:	Allen Cheng 7/15'08
				DR:	Ken Chien 7/15'08
				Q'TY	309-0000-1174
				SCALE	SHEET
				N/A	2/2
				REV.	A