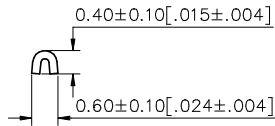
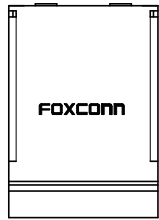
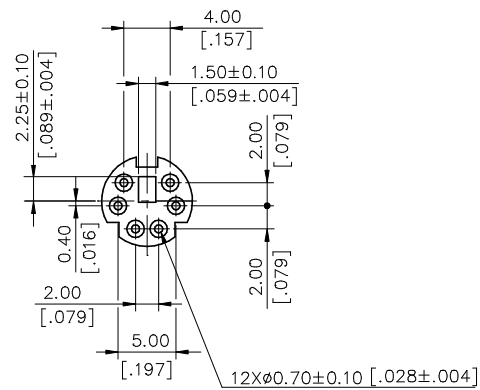
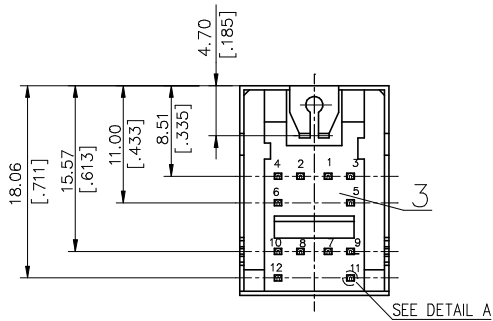
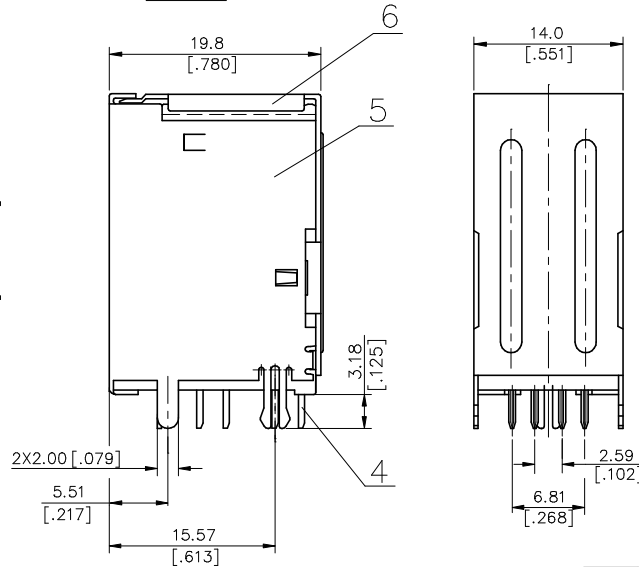


REV	ECO.NO.	APPD.
A	BC04716844	COREL



DETAIL A



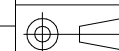
THE DIM. OF MATING FACE

SPECIFICATION:

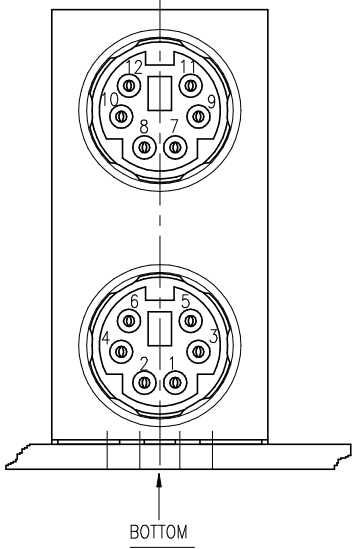
- GENERAL CHARACTERISTICS :
 - 1-1 CURRENT RATING: 1A MAX.
 - 1-2 VOLTAGE RATING: 30V
 - 1-3 TEMPERATURE: -55°C TO +85°C
- MECHANICAL CHARACTERISTICS:
 - 2-1 MATING FORCE: 45N(4.5Kgf) MAX. (SINGLE PLUG)
 - 2-2 UNMATING FORCE: 9~27N(0.90~2.7Kgf) (SINGLE PLUG)
 - 2-3 DURABILITY: 500 CYCLES
- ELECTRICAL CHARACTERISTICS:
 - 3-1 CONTACT RESISTANCE: 50 MILLIOHMS MAX.
 - 3-2 INSULATION RESISTANCE: 1000 MEGAOHMS MIN.
 - 3-3 DIELECTRIC WITHSTANDING VOLTAGE: 750V AC RMS MINIMUM AT SEA LEVEL.
- RECOMMENDED PROCESS: WAVE SOLDER
TEMPERATURE: 260°C MAX. FOR 3~5 SECONDS
- RECOMMENDED PLUG SHOULD MEET 1076-4-105 OF IEC.

ITEM	DESC.	Q'TY	MATERIAL	TREATMENT	REMARK
6	REAR SHELL	1	STEEL ALLOY	LEAD FREE TIN ALLOY PLATED OVER NICKLE OVERALL	
5	FRONT SHELL	1	STEEL ALLOY	LEAD FREE TIN ALLOY PLATED OVER NICKLE OVERALL	
4	CONTACT	12	COPPER ALLOY	GOLD PLATING AT CONTACT AREA, LEAD FREE TIN ALLOY AT TAIL, OVER NICKEL OVERALL	
3	SPACER	1	THERMOPLASTIC LOW-TEMP. UL 94V-0	MOLDED COLOR: PURPLE	
2	BOTTOM HOUSING	1	THERMOPLASTIC LOW-TEMP. UL 94V-0	MOLDED COLOR: PURPLE	
1	TOP HOUSING	1	THERMOPLASTIC LOW-TEMP. UL 94V-0	MOLDED COLOR: GREEN	

UNITS	mm	[INCH]	NAME (INTENDED USE)	FOXCONN
X.±	X.°±		CUSTOMER	HON HAI PRECISION IND. CO., LTD. TAIPEI, TAIWAN, R.O.C.
.X±	.X°±	MAT'L	PART NO. (INTENDED USE)	TITLE: MINI DIN DOUBLE PC99 WITH LEAD FREE
.XX±	.XX°±	N/A	MH1106*-P34-4F	DWG NO.: 313-0000-1035
.XXX±	.XXX°±	FINISH	APPD: Corel Zhu 6/3'04	
THESE DRAWINGS AND SPECIFICATIONS ARE THE PROPERTY OF HON HAI PRECISION IND. CO., LTD. AND SHALL NOT BE REPRODUCED, COPIED OR USED IN ANY MANNER WITHOUT THE PRIOR WRITTEN CONSENT OF HON HAI PRECISION IND. CO., LTD.			CHKD: L.S Hu 6/3'04	
			DR: J W Gu 6/3'04	
			Q'TY	
			N/A	



SCALE	SHEET	REV.
N/A	1/2	A



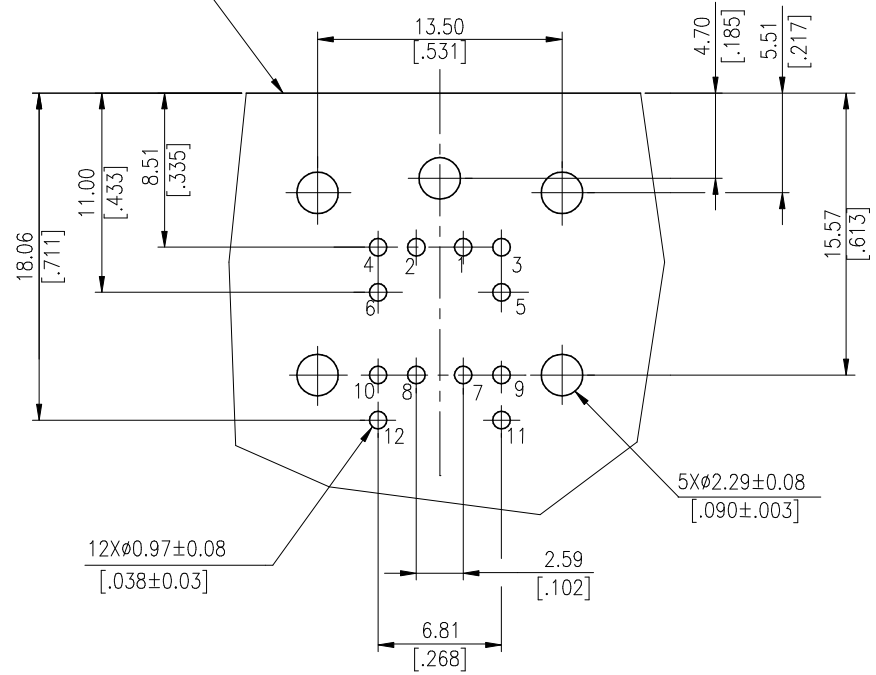
REMARKS:

PROD.NO.: MH 1 1 06 * - P34 - 4 F

- 1=RIGHT ANGLE
- 1=FEMALE
- 06=6 POS.
- * CONTACT AREA PLATING
 - 1=GOLD FLASH
 - 7=15u" GOLD PLATED
 - 3=30u" GOLD PLATED
- P34 EXTENSION CODE
- 4 PACKAGING CODE
- F LEAD FREE CODE

P.C.B. EDGE

BOTTOM



RECOMMENDED PC BOARD LAYOUT
BOTTOM VIEW

X.±	X°.±	UNITS	NAME(INTENDED USE)	FOXCONN
.X±	.X°±	[MM] [INCH]	CUSTOMER	HON HAI PRECISION IND. CO.,LTD. TAIPEI, TAIWAN, R.O.C.
.XX± [.002]	.XX°±	MAT'L	PART NO.(INTENDED USE)	TITLE: PC BOARD LAYOUT
.XXX±	.XXX°±	FINISH	MH1106*-P34-4F	DOUBLE MINI DIN
THESE DRAWINGS AND SPECIFICATIONS ARE THE PROPERTY OF HON HAI PRECISION IND. CO., LTD. AND SHALL NOT BE REPRODUCED OR USED IN ANY MANNER WITHOUT THE PRIOR WRITTEN CONSENT OF HON HAI PRECISION IND. CO., LTD.		N/A	APPD: Corel Zhu 6/3/'04	DWG NO: 313-0000-1035
		N/A	CHKD: L.S. Hu 6/3/'04	SCALE SHEET REV. N/A 2/2 A
		N/A	DR: J.W. Gu 6/3/'04	