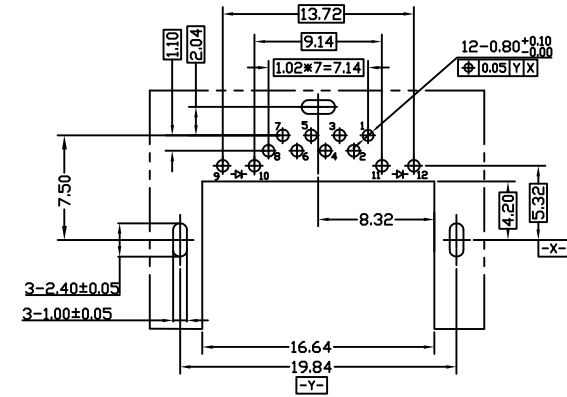


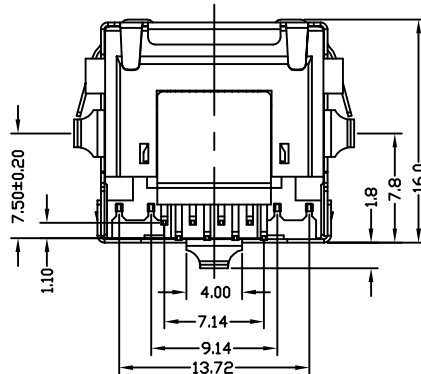
SECTION A-A



MATING FACE

- NOTES:
- UNSPECIFIED TOLERANCE: .XX±0.05
.X±0.10
 - RECOMMENDED PCB. THICKNESS: 2.36±0.05mm.
 - SYMBOL INDICATES ANODE \rightarrow CATHODE

P. C. B LAYOUT (TOPVIEW)



NOTES: UNLESS OTHERWISE SPECIFIED

- CONNECTOR TO COMPLY WITH CFR TELECOMMUNICATION STANDARD PART 68 SUBPART F.
- PC BOARD SURFACE PLANE (\rightarrow -Z-).
- RECOMMENDED SOLDER PROCESS: WAVE SOLDER, PEAK TEMPERATURE 260°C FOR 10 SECOND.

ITEM	DESCRIPTION	Q'TY	MATERIAL	TREATMENT	REMARK
5	LED	2		GREEN	
4	SPACE	1	THERMOPLASTIC HTN UL 94V-0	BLACK	
3	SHIELD	1	COPPER ALLOY	NICKEL PLATING OVERALL TIN DIP ON GROUND TAIL.	
2	CONTACT	8	COPPER ALLOY	NICKEL PLATING OVERALL, TIN PLATING AT SOLDERING AREA, GOLD PLATING AT CONTACT AREA SEE PAGE 2/2.	
1	HOUSING	1	THERMOPLASTIC HTN UL 94V-0	BLACK	

X.± 0.30	X°.± 2°	UNITS	MM	NAME(INTENDED USE)	FOXCONN HON HAI PRECISION IND. CO.,LTD. TAIPEI, TAIWAN, R.O.C.		
.X± 0.25	.X°.± 1°	MAT'L		CUSTOMER DRAWING			
.XX± 0.15	.XX°.±			PART NO.(INTENDED USE)	TITLE:		
.XXX±	.XXX°.±	FINISH		JM3911*-SK04-*F	RJ45 1X1 PASSIVE		
THESE DRAWINGS AND SPECIFICATIONS ARE THE PROPERTY OF HON HAI PRECISION IND. CO., LTD. AND SHALL NOT BE REPRODUCED, COPIED OR USED IN ANY MANNER WITHOUT THE PRIOR WRITTEN CONSENT OF HON HAI PRECISION IND. CO., LTD.				APPD:	L.C WU 06/30'10	DWG NO.:	305-0000-3690
				CHKD:	Z.J. LIU 06/30'10	SCALE	2:1
DR:	H. HAN 06/30'10	Q'TY		REV.	X6		

REV.	ECN. NO.	APPD.

SEE SHEET 1/2

SPECIFICATIONS:

1. ELECTRICAL CHARACTERISTICS:

- 1-1. CURRENT RATING: 1.5 AMPERES MAXIMUM.
- 1-2. VOLTAGE RATING: 150 VAC MAXIMUM.
- 1-3. INSULATION RESISTANCE: 500 MEGOHMS MINIMUM.
- 1-4. DIELECTRIC WITHSTANDING VOLTAGE: 1000 VDC 1MINUTE CONTACT TO CONTACT
1500 VDC 1MINUTE CONTACT TO SHIELD

1-5. GREEN LED'S CHARACTERISTICS:

VF(FROWARD VOLTAGE) IF=20mA 2.2V TYP.
λD(DOMINANT WAVELENGH) IF=20mA 565nm TYP.

2. MECHANICAL CHARACTERISTICS:

- 2-1. MATING FORCES: 5 POUNDS MAXIMUM WITH LATCH DEPRESSED.
- 2-2. DURABILITY (MATING/UNMATING CYCLES): 1000 CYCLES.
- 2-3. OPERATING TEMPERATURE: -40°C TO +85°C.

PRODUCT NO.: J M 3 9 1 1 * - ** - * F**

SERIES PREFIX:

JM=MODULAR JACK

BODY & TERMINATION:

3=R/A ALL SHIELD T/H

DESIGN TYPE:

9=W/ TOP PANEL-GND, W/O B/L

POS. TYPE:

1=8P8C

NO. OF PORT

1=1 PORT

F=LEAD FREE

PACKAGE TYPE

4=SOFT TRAY

7=TAPE AND REEL

EXTENSION CODE

CONTACT PLATING

1= GOLD FLASH

3=30u" GOLD

5=50u" GOLD

7=15u" GOLD

X.±	X°.±	UNITS	MM	NAME(INTENDED USE)	FOXCONN						
.X±	.X°.±	MAT'L		CUSTOMER DRAWING	HON HAI PRECISION IND. CO.,LTD. TAIPEI, TAIWAN, R.O.C.						
.XX±	.XX°.±	FINISH		PART NO.(INTENDED USE)	TITLE:						
.XXX±	.XXX°.±	Q'TY		JM3911*-SK04-*F	RJ45 1X1 PASSIVE						
THESE DRAWINGS AND SPECIFICATIONS ARE THE PROPERTY OF HON HAI PRECISION IND. CO., LTD. AND SHALL NOT BE REPRODUCED, COPIED OR USED IN ANY MANNER WITHOUT THE PRIOR WRITTEN CONSENT OF HON HAI PRECISION IND. CO., LTD.				APPD: L.C WU 06/30'10	DWG NO.:						
				CHKD: Z.J. LIU 06/30'10	305-0000-3690						
				DR: H. HAN 06/30'10	<table border="1"> <tr> <td>SCALE</td> <td>SHEET</td> <td>REV.</td> </tr> <tr> <td>2:1</td> <td>2/2</td> <td>X6</td> </tr> </table>	SCALE	SHEET	REV.	2:1	2/2	X6
SCALE	SHEET	REV.									
2:1	2/2	X6									