

REV.	ECN NO.	APPD.
A	BC077011851	Yusan
B	BC087125651	Jake W. Yuan
C	BC097095472	Yihsin Chen

NOTE: UNLESS OTHERWISE SPECIFIED.

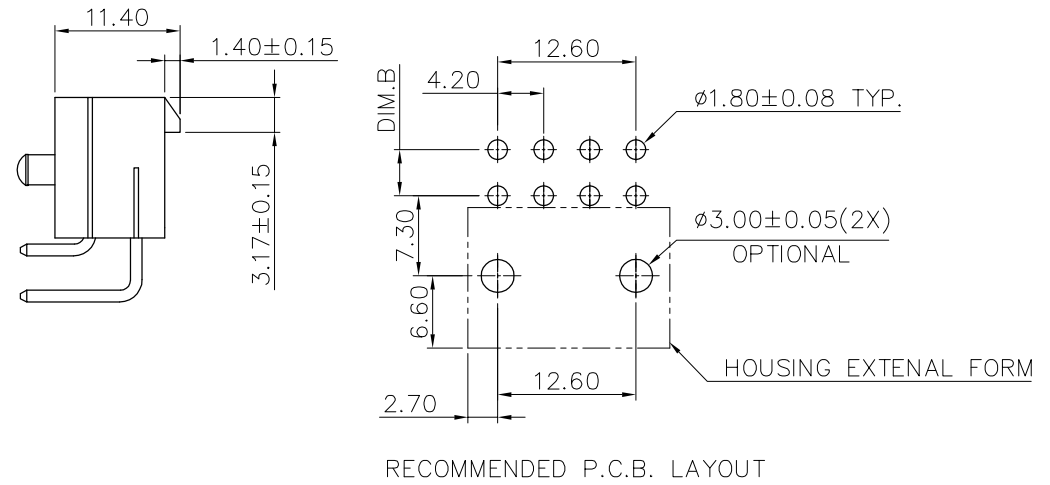
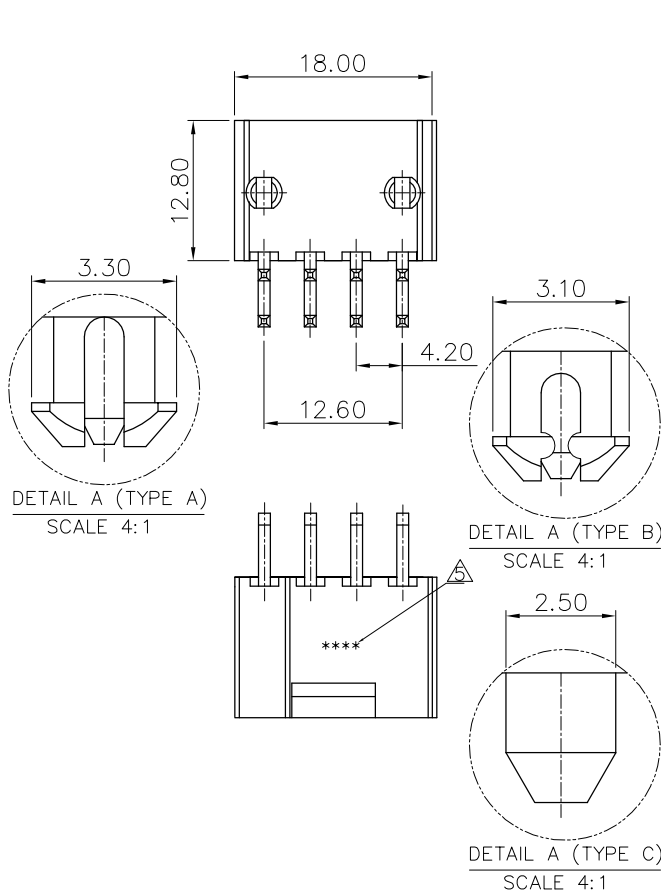
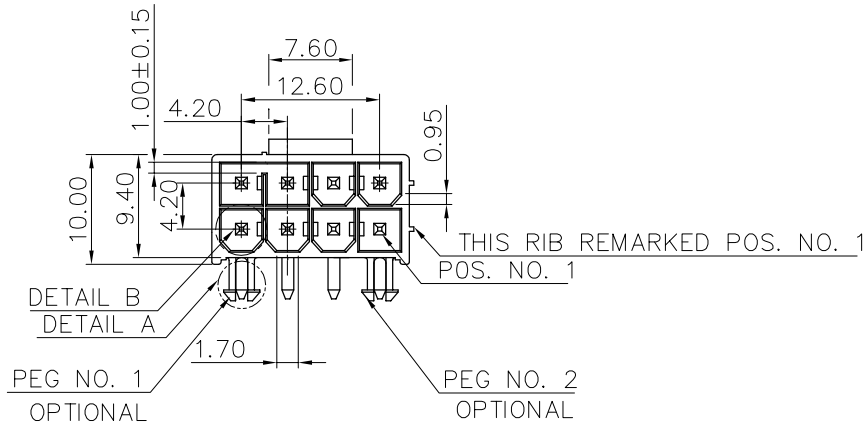
- DIMENSIONS SHALL BE INTERPRETED PER ASME Y14.5-2009.
- SPEC. ARE SHOWN ON DRAWING "307-0300-1368".
- MATERIALS ARE SHOWN ON DRAWING "307-0500-1368".
- PRODUCT NO. MATRIX :

H M 51 \* \* \* - \* \* \*

PLEASE SEE 307-0500-1368

DATE CODE: PLEASE REFER TO FOXCONN'S DOC. "SQ-3B0-070".

- PLEASE CONTACT FOXCONN SALES REPRESENTATIVE TO VERIFY PRODUCT DETAIL&AVAILABILITY.
- HARMFUL MATERIAL CONTROL PLEASE FOLLOW FOXCONN'S DOC. "EPI12".



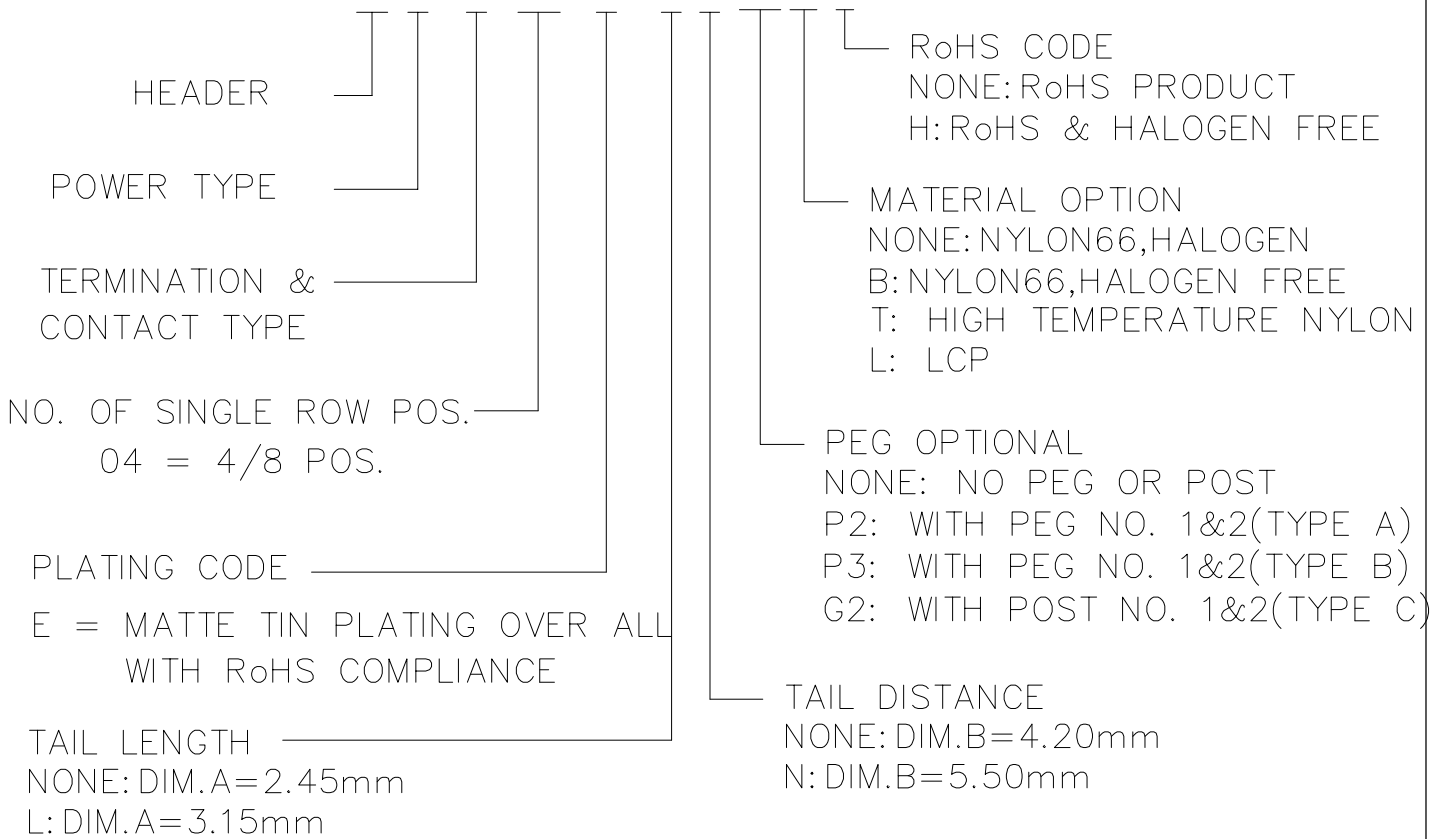
X.±	X°.±	UNITS	mm	NAME(INTENDED USE)	<b>FOXCONN</b> HON HAI PRECISION IND. CO.,LTD. TAIPEI, TAIWAN, R.O.C.
.X± 0.38	.X°.±	MAT'L		POWER CONN.	
.XX± 0.25	.XX°.±			PART NO.(INTENDED USE)	TITLE:
.XXX±	.XXX°.±	FINISH		HM51 SERIES	CUSTOMER DRAWING PLUG,R/A,T/H
THESE DRAWINGS AND SPECIFICATIONS ARE THE PROPERTY OF HON HAI PRECISION IND. CO., LTD. AND SHALL NOT BE REPRODUCED, COPIED OR USED IN ANY MANNER WITHOUT THE PRIOR WRITTEN CONSENT OF HON HAI PRECISION IND. CO., LTD.				APPD: Yihsin Chen	DWG NO.:
				Q'TY	CHKD: Wolfe Liu
				DR: Betty Xie 9/18'09	SCALE SHEET REV.
					2/1 1/1 CX1

ITEM	DESC.	Q'TY	MATERIAL	TREATMENT	REMARK
1	HOUSING	1	THERMOPLASTIC, UL94 V-0	COLOR BLACK	
2	CONTACT	SEE NOTES BELOW	COPPER ALLOY	A)NICKEL PLATING OVER ALL THICKNESS : 50u" MIN. B)MATTE TIN PLATING OVER NICKEL THICKNESS : 100u" MIN.	

NOTES :

- HARMFUL MATERIAL CONTROL PLEASE FOLLOW FOXCONN'S DOC. "EPI12".
- THE CONCENTRATIONS OF Br&Cl CAN SATISFY THE REQUIREMENTS OF HALOGEN-FREE IN DOCUMENT EPI12.
- PRODUCT NO. MATRIX:

H M 51 \*\* \* \_\* \* \*\* \* \*



- PLEASE CONTACT FOXCONN SALES REPRESENTATIVE TO VERIFY PRODUCT DETAILS&AVAILABILITY.

**FOXCONN** HON HAI PRECISION IND. CO.,LTD.  
TAIPEI, TAIWAN, R.O.C.

APPD. : Yihsin Chen

TITLE : MATERIAL LIST  
PLUG,R/A,T/H

CHKD. : Wolfe Liu

PROD. SERIES : HM51 SERIES

DR. : Betty Xie 9/18'09

DWG. NO : 307-0500-1368

C	BC097095519	Yihsin Chen
B	BC087125647	Jake W.Yuan
A	BC077037458	Yusan
REV.	ECN NO.	APPD.

REV. : CX1 SHEET : 1/1

# PRODUCT SPECIFICATIONS:

## 1. MATERIAL AND FINISH:

1-1. HOUSING :

THERMOPLASTIC , UL94 V-0 RATING.

1-2. CONTACT:

COPPER ALLOY, 50u" MIN. NICKEL UNDER PLATING, TIN PLATING OR GOLD PLATING ON CONTACT AREA WITH RoHS COMPLIANCE.

## 2. ELECTRICAL CHARACTERISTICS:

2-1. CONTACT CURRENT RATING : 6.0 AMPERES PER CONTACT.

2-2. DIELECTRIC WITHSTANDING VOLTAGE: 1500 VAC AT SEA LEVEL.

2-3. INSULATION RESISTANCE: 1000 MEGOHMS MIN. .

## 3. MECHANICAL CHARACTERISTICS:

3-1. CONTACT RETENTION FORCE: 3 LBS( 1.36 Kg ) MIN. PER CONTACT.

## 4. ENVIRONMENTAL DATA:

4-1. SOLDERABILITY: PASSED EIA 364-52.

4-2. OPERATION TEMPERATURE: -40°C TO +105°C

4-3. HARMFUL MATERIAL CONTROL PLAESE FOLLOW FOXCONN'S DOC. "EPI12".

## 5. PLEASE CONTACT FOXCONN SALES REPRESENTATIVE TO VERIFY PRODUCT DETAIL&AVAILABILITY.

			<b>FOXCONN</b> HON HAI PRECISION IND. CO.,LTD. TAIPEI, TAIWAN, R.O.C.	
			APPD. : Yusan	TITLE : SPECIFICATION POWER HEADER,R/A,T/H
			CHKD. : D.J.Chen	PROD. SERIES : HM51 SERIES
			DR. : Betty Xie 7/6'07	DWG. NO : 307-0300-1368
A	BC077037444	Yusan		REV. : A
REV.	ECN NO.	APPD.		SHEET : 1/1