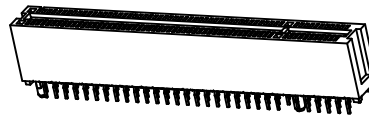
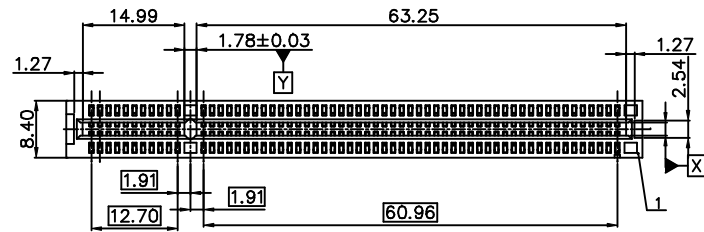


REV.	ECN. NO.	APPD.
X1	03/01'12	Gwo-Dah Lin



NOTES:

1. ELECTRICAL CHARACTERISTICS:

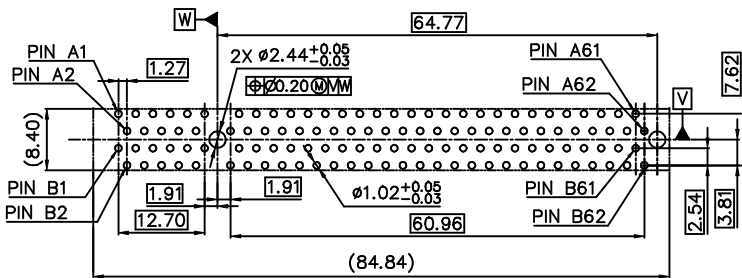
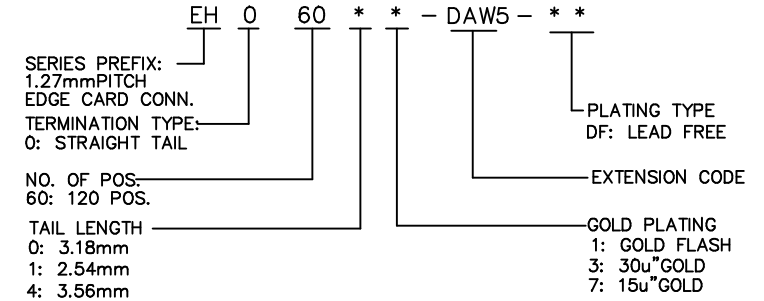
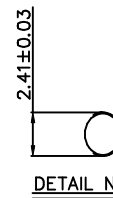
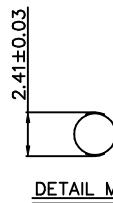
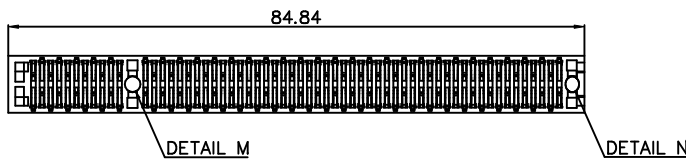
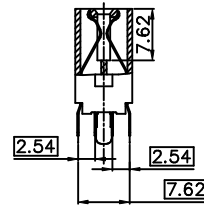
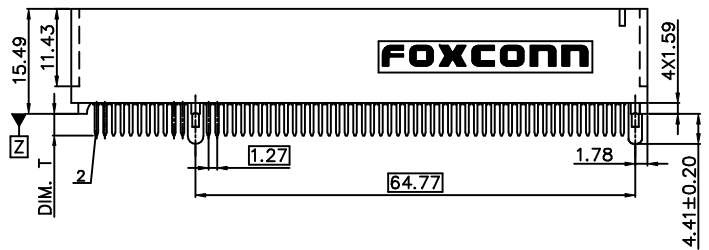
- 1-1. CURRENT RATING: 1AMP.,30°C RISE ABOVE AMBIENT.
- 1-2. CONTACT RESISTANCE: 30 MILLIOHMS MAX. INITIAL.  
40 MILLIOHMS MAX. AFTER TEST.
- 1-3. PIN TO PIN INSULATION RESISTANCE: 1000 MEGAOHMS MIN.
- 1-4. DIELECTRIC WITHSTAND VOLTAGE: 500VAC RMS MIN. AT SEA LEVEL.

2. MECHANICAL CHARACTERISTICS:

- 2-1. CONTACT INSERTION FORCE: 170gf MAX. PER CONTACT PAIR.  
USE 1.77mm THICKNESS GAUGE.
- 2-2. DURABILITY: 100 MATING AND UNMATING CYCLES MIN.
- 2-3. CONTACT RETENTION FORCE: 0.45KgF MIN.

3. ENVIRONMENTAL CHARACTERISTICS:

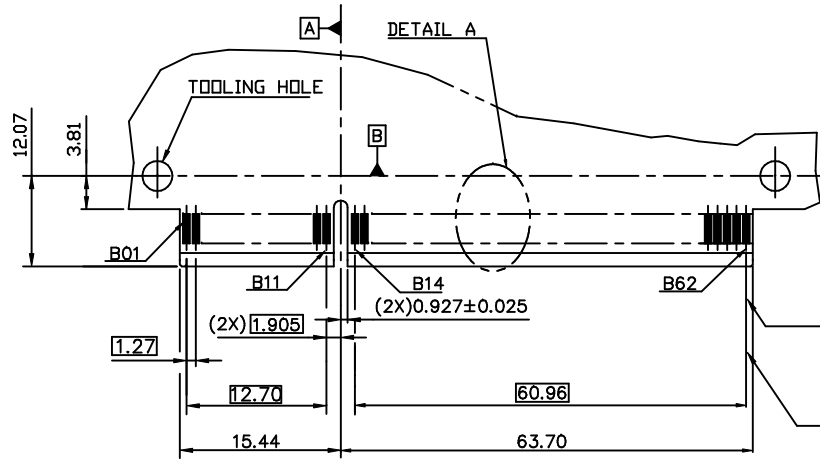
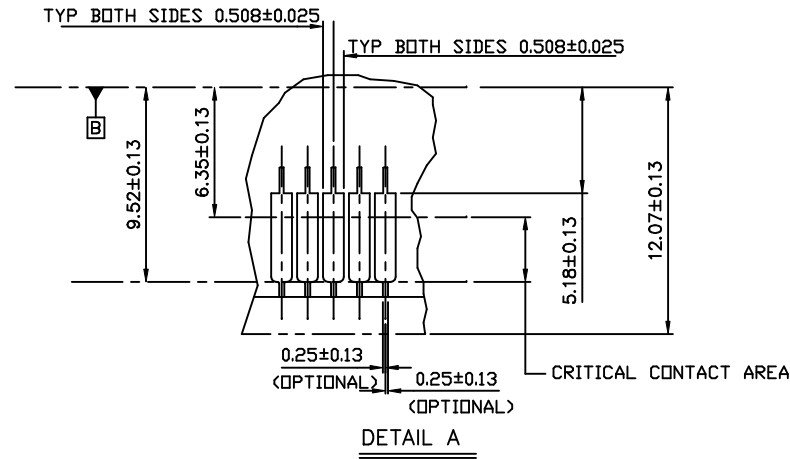
- 3-1. OPERATION TEMPERATURE RANGE : -40°C TO +105°C.



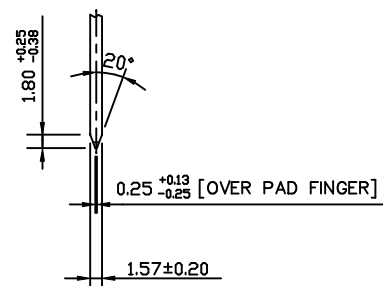
2	CONTACT	120	COPPER ALLOY	NICKEL PLATING OVERALL THICKNESS 50u" MIN. TIN PLATING 50u" MIN OVER NICKEL AT TAIL, GOLD PLATING ON CONTACT AREA.
1	HOUSING	1	HIGH-TEMP THERMOPLASTIC ,UL94V-0	MOLDED NATURE
ITEM	DESCRIPTION	Q'TY	MATERIAL	TREATMENT
.X±	.X± 0.38	.X± 2'	UNITS mm	NAME (INTENDED USE)
.XX±	.XX± 0.25	.XX± 1'	MAT'L N/A	CUSTOMER
.XXX±	.XXX± 0.13	.XXX± 1'	FINISH N/A	PART NO. (INTENDED USE)
			Q'TY N/A	APPD: Gwo-Dah Lin 03/01'12
				CHKD: G-X Niu 03/01'12
				DR: X-H Yin 03/01'12
				TITLE: 60/120POS PCI CONN.
				DWG NO.: 303-0000-****
				SCALE SHEET REV.
				1:1 1/2 X1

EH0601*-DAW5-DF	2.54	1.57±0.13
EH0600*-DAW5-DF	3.18	1.57±0.13
PROD. NO.	DIM.T	PCB THICKNESS

THESE DRAWINGS AND SPECIFICATIONS ARE THE PROPERTY OF HON HAI PRECISION IND. CO., LTD. AND SHALL NOT BE REPRODUCED, COPIED OR USED IN ANY MANNER WITHOUT THE PRIOR WRITTEN CONSENT OF HON HAI PRECISION IND. CO., LTD.



$\varnothing 0.05 \text{ (C)}$   
 TYPICAL ALL TABS  
 BOTH SIDES  
 TAB TO TAB  
 $\varnothing 0.05 \text{ (A)}$   
 TYPICAL ALL TABS  
 BOTH SIDES  
 TAB TO DATUM



RECOMMENDED GOLD FINGER

X.±	X°.± 2°	UNITS	mm	NAME (INTENDED USE)	<b>FOXCONN</b> HON HAI PRECISION IND. CO., LTD. TAIPEI, TAIWAN, R.O.C.							
.X± 0.25	.X°.± 1°	MAT'L	N/A	CUSTOMER								
.XX± 0.13	.XX°.±	FINISH	N/A	PART NO. (INTENDED USE)	TITLE:							
.XXX±	.XXX°.±	Q'TY	N/A	APPD: Gwo-Dah Lin 03/01'12	EH060**-DAW5-DF	60/120POS PCI CONN.						
THESE DRAWINGS AND SPECIFICATIONS ARE THE PROPERTY OF HON HAI PRECISION IND. CO., LTD. AND SHALL NOT BE REPRODUCED, COPIED OR USED IN ANY MANNER WITHOUT THE PRIOR WRITTEN CONSENT OF HON HAI PRECISION IND. CO., LTD.				CHKD: G-X Niu 03/01'12	DWG NO.:	<table border="1"> <tr> <td>SCALE</td> <td>SHEET</td> <td>REV.</td> </tr> <tr> <td>1:1</td> <td>2/2</td> <td>X1</td> </tr> </table>	SCALE	SHEET	REV.	1:1	2/2	X1
				SCALE	SHEET		REV.					
1:1	2/2	X1										
DR: X-H Yin 03/01'12	303-0000-****											