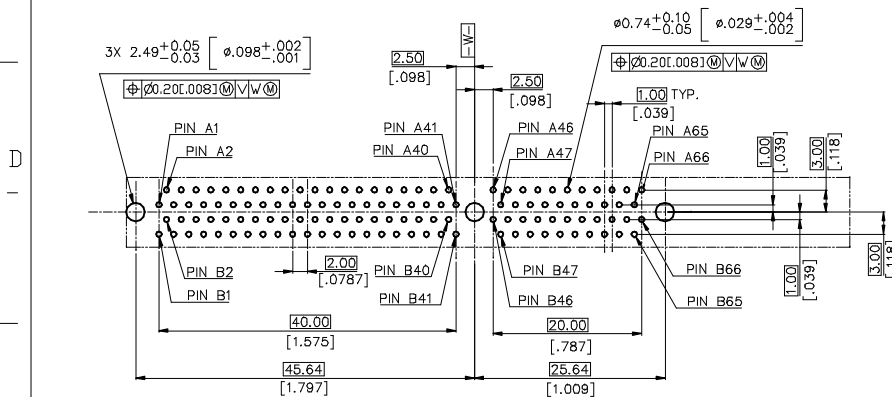
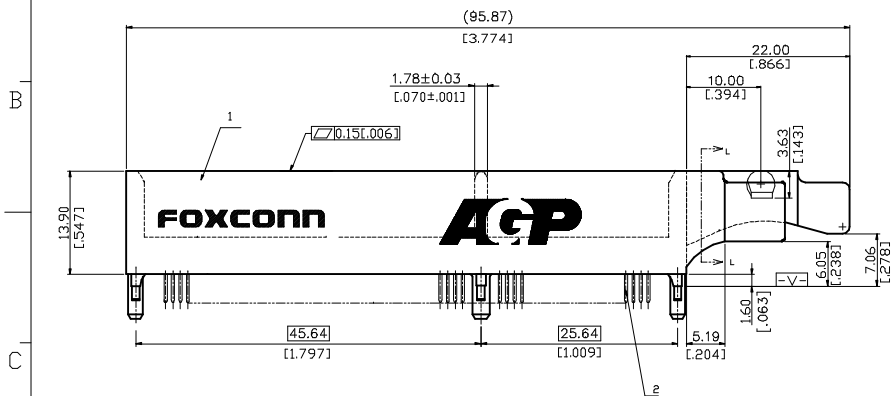
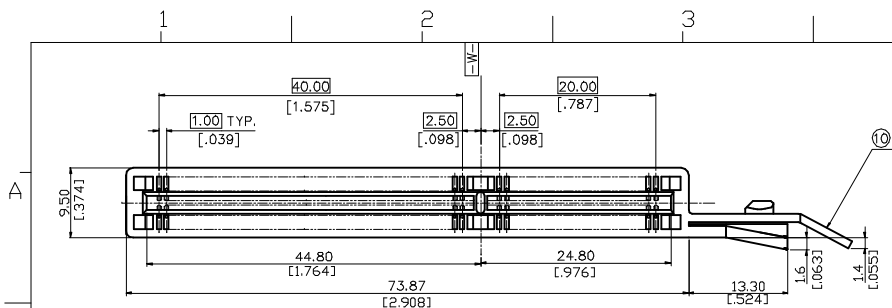


REV.	ECN.	NO.	APPD.
X1	9/21'04	Wen-Guey Lii	

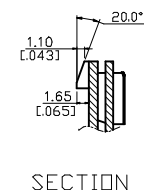
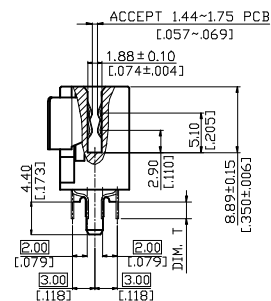


2	EE0620*-BEB	3.18[.125]
1	EE0621*-BEB	2.54[.100]
ITEM	PART NUMBER	DIM. T

NOTE:

1. ALL DIMENSIONS ARE IN MMS. WITH INCHES IN PARENTHESES FOR REFERENCES ONLY.
2. CONTACT RESISTANCE: INITIAL : 30mΩ MAX. ; FINAL : 50mΩ MAX. AFTER TEST.
3. PIN TO PIN INSULATION RESISTANCE: 800 MEGAΩ MIN.
4. DIELECTRIC WITHSTANDING VOLTAGE: 400 VAC RMS MIN.
5. INSERTION FORCE : 93.56gf (3.3 OZ) MAX. PER CONTACT PAIR.
6. EXTRACTION FORCE : 9.92gf TO 56.13 gf (.35 OZ TO 1.98 OZ) PER CONTACT PAIR.
7. DURABILITY: 50 INSERTION/WITHDRAWAL CYCLES MIN.
8. CONTACT RETENTION FORCE: 0.30Kg (0.66LBS) MIN.
9. OPERATION TEMPERATURE RANGE : 0°C TO +85°C

⑩ THE OPERATION FORCE ON THE RETAINER IS 2.5Kg MAX.



EE062* *-BEB

1.0 PITCH
B/C CONN
TAIL TYPE:
0- STRAIGHT
NO OF POS:
62: 60/24 POS
TAIL LENGTH TYPE
0: 3.18mm
1: 2.54mm

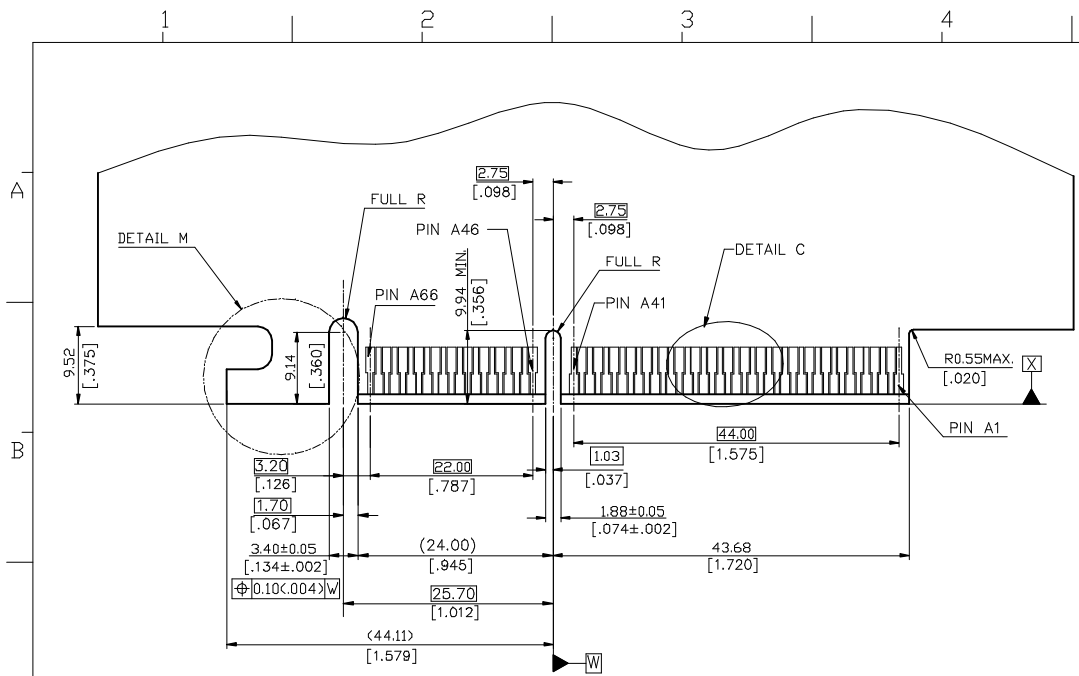
EXTENSION CODE

CONTACT AREA PLATING THICKNESS
1: GOLD FLASH
3: 30μ GOLD PLATING
7: 15μ GOLD PLATING
R: GOLD FLASH WITH LEAD FREE
Y: 15μ GOLD PLATING WITH LEAD FREE
E: 30μ GOLD PLATING WITH LEAD FREE

2	CONTACT	SEE POS. NO.	COPPER ALLOY	NICKEL PLATING OVERALL UNDERPLATED. TIN/LEAD PLATING OVER NICKEL AT TAIL , GOLD PLATING ON CONTACT AREA.
1	HOUSING	1	THERMOPLASTIC	MOLDED BROWN
ITEM	DESC.	Q'TY	MATERIAL	TREATMENT
X.±	X.° ± 2'	UNITS	MM [INCH]	NAME (INTENDED USE)
.X ± 0.38 [.015]	.X° ± 1'	MAT'L	N/A	CUSTOMER
.XX ± 0.25 [.010]	.XX° ±	FINISH	N/A	PART NO.(INTENDED USE)
.XXX ±	.XXX° ±	Q'TY	N/A	EE062** -BEB
THESE DRAWINGS AND SPECIFICATIONS ARE THE PROPERTY OF HON HAI PRECISION IND. CO., LTD. AND SHALL NOT BE REPRODUCED, COPIED OR USED IN ANY MANNER WITHOUT THE PRIOR WRITTEN CONSENT OF HON HAI PRECISION IND. CO., LTD.				TITLE:
				APPD: Wen-Guey Lii 9/21'04
				CHKD: Tin-Suen Liu 9/21'04
				DR: W.J Tang 9/21'04
				DWG NO: 303-0000-1326
				SCALE SHEET REV.
				N/A 1/3 X1

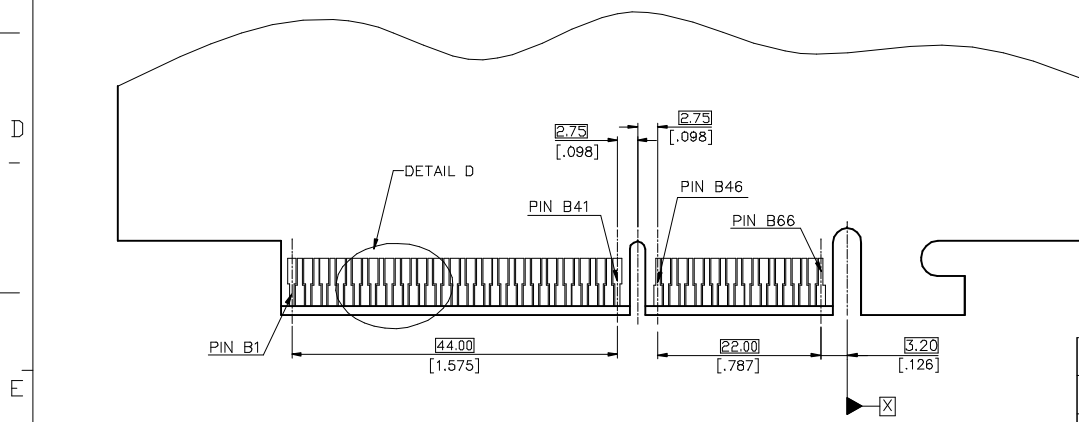
REV.	ECN.	NO.	APPD.
------	------	-----	-------

SEE SHEET 1/3



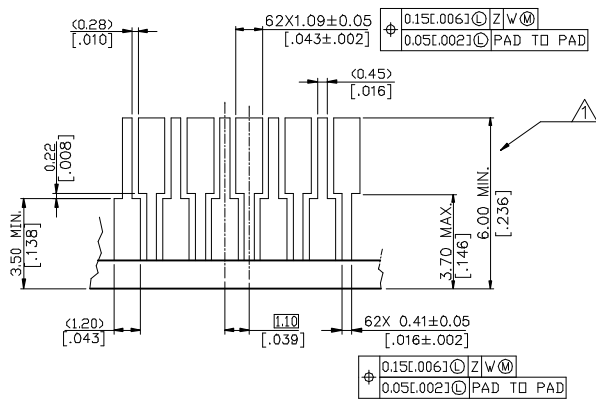
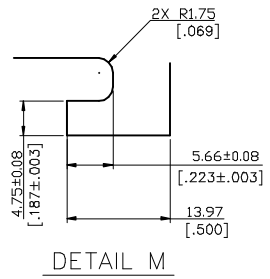
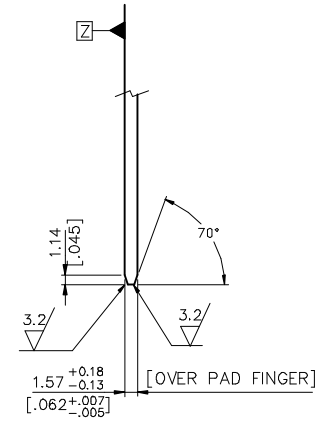
A SIDE VIEW

A.G.P. 1.5V CONN. GOLD FINGER LAYOUT



B SIDE VIEW

A.G.P. 1.5V CONN. GOLD FINGER LAYOUT



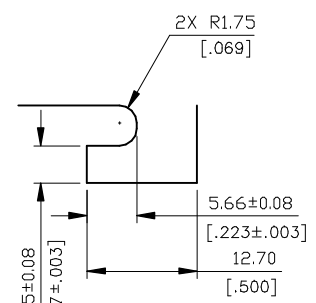
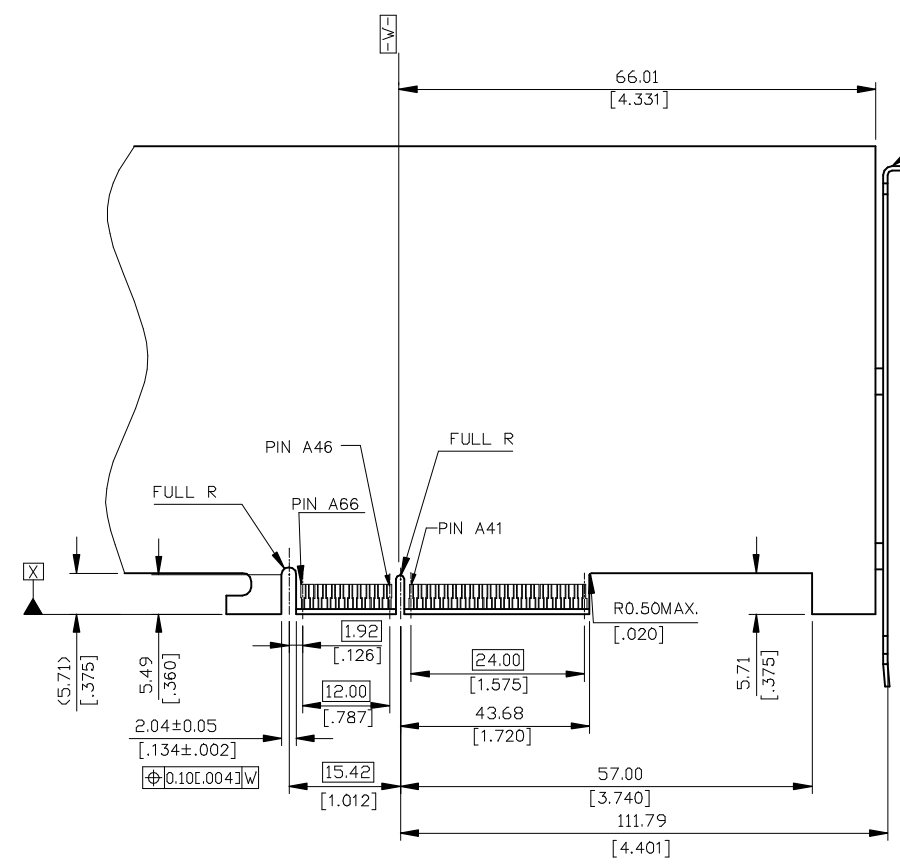
DETAIL C & DETAIL D

NOTES:

△ SOLDER MASK MUST NOT COVER GOLD FINGERS.

X ±	X° ± 2°	UNITS	MM [INCH]	NAME (INTENDED USE)	FOXCONN
X ± 0.25 [.010]	X° ± 1°	MAT'L		CUSTOMER	HON HAI PRECISION IND. CO., LTD. TAIPEI, TAIWAN, R.O.C.
.XX ± 0.13 [.005]	.XX° ± 0.5°		N/A	PART NO. (INTENDED USE)	TITLE: ALL IN ONE A.G.P. CONNECTOR
.XXX ±	.XXX° ±	FINISH	N/A	APPD: Wen-Guey Lii 9/21'04	DWG NO: 303-0000-1326
THESE DRAWINGS AND SPECIFICATIONS ARE THE PROPERTY OF HON HAI PRECISION IND. CO., LTD. AND SHALL NOT BE REPRODUCED, COPIED OR USED IN ANY MANNER WITHOUT THE PRIOR WRITTEN CONSENT OF HON HAI PRECISION IND. CO., LTD.				Q'TY	
					N/A
				CHKD: Tin-Suen Liu 9/21'04	SCALE SHEET REV. N/A 2/3 X1
				DR: W.J Tang 9/21'04	

REV.	ECN.	NO.	APPD.
SEE SHEET 1/3			



A SIDE VIEW
1.5 Volt A.G.P. ATX Form Factor Add-in Card

X.±	X°.± 2°	UNITS	MM	NAME<INTENDED USE>	FOXCONN HON HAI PRECISION IND. CO.,LTD. TAIPEI, TAIWAN, R.O.C.						
.X±	.X°.± 1°	MAT'L	[INCH]	CUSTOMER							
.XX±	.XX°.± 0.5°		N/A	PART NO.<INTENDED USE>	TITLE:						
.XXX±	.XXX°.±	FINISH	N/A	EE062** - BEB	ALL IN ONE A.G.P. CONNECTOR						
THESE DRAWINGS AND SPECIFICATIONS ARE THE PROPERTY OF HON HAI PRECISION IND. CO., LTD. AND SHALL NOT BE REPRODUCED, COPIED OR USED IN ANY MANNER WITHOUT THE PRIOR WRITTEN CONSENT OF HON HAI PRECISION IND. CO., LTD.				APPD:	DWG NO.:						
				Q'TY	Wen-Guey Lii 9/21'04	303-0000-1326					
				N/A	CHKD: Tin-Suen Liu 9/21'04 DR: W.J Tang 9/21'04						
				<table border="1"> <tr> <td>SCALE</td> <td>SHEET</td> <td>REV.</td> </tr> <tr> <td>N/A</td> <td>3/3</td> <td>X1</td> </tr> </table>		SCALE	SHEET	REV.	N/A	3/3	X1
SCALE	SHEET	REV.									
N/A	3/3	X1									