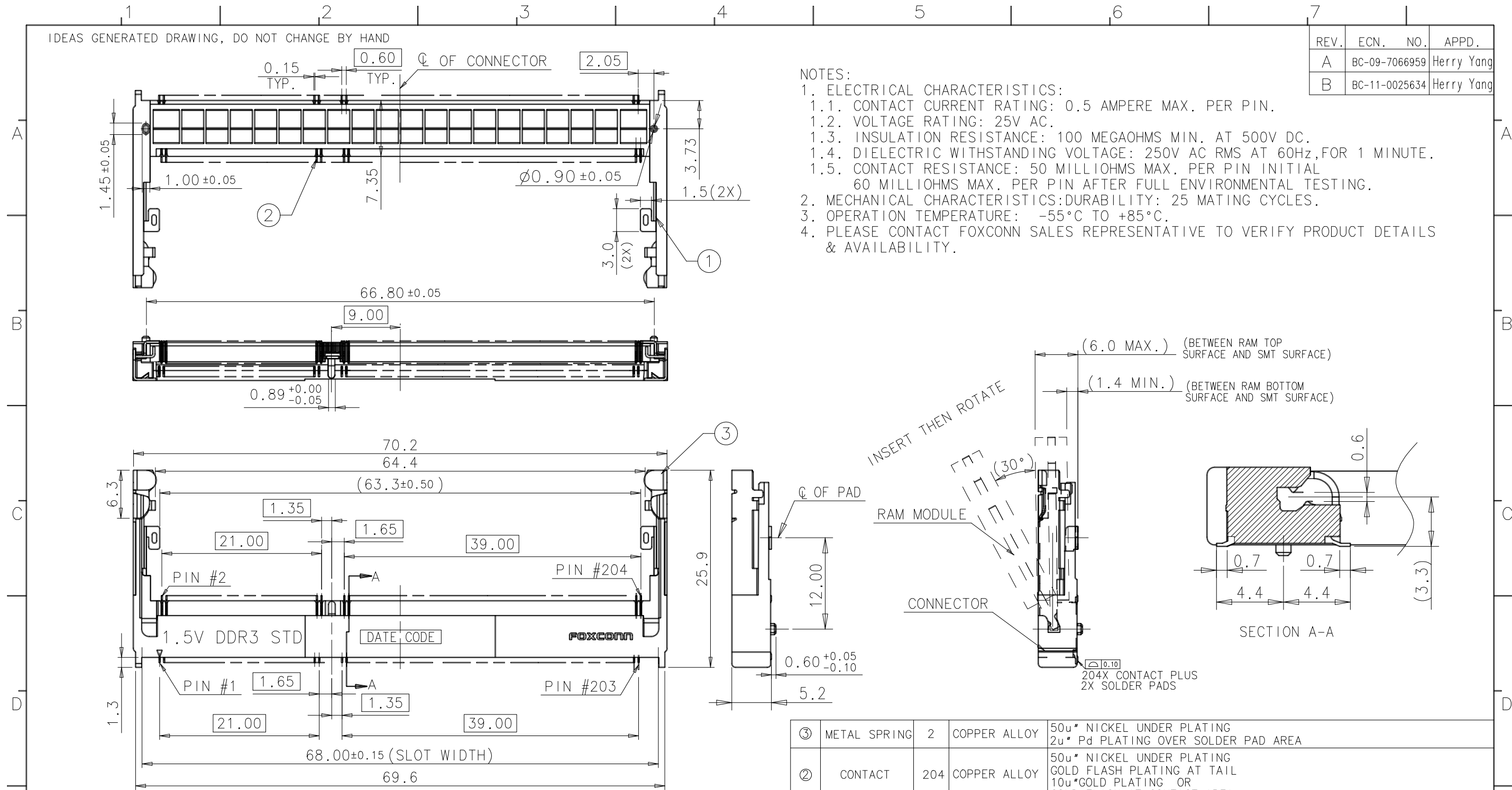


IDEAS GENERATED DRAWING, DO NOT CHANGE BY HAND

REV.	ECN.	NO.	APPD.
A	BC-09-7066959		Herry Yang
B	BC-11-0025634		Herry Yang

- NOTES:
- ELECTRICAL CHARACTERISTICS:
 - CONTACT CURRENT RATING: 0.5 AMPERE MAX. PER PIN.
 - VOLTAGE RATING: 25V AC.
 - INSULATION RESISTANCE: 100 MEGAOHMS MIN. AT 500V DC.
 - DIELECTRIC WITHSTANDING VOLTAGE: 250V AC RMS AT 60Hz, FOR 1 MINUTE.
 - CONTACT RESISTANCE: 50 MILLIOHMS MAX. PER PIN INITIAL
60 MILLIOHMS MAX. PER PIN AFTER FULL ENVIRONMENTAL TESTING.
 - MECHANICAL CHARACTERISTICS: DURABILITY: 25 MATING CYCLES.
 - OPERATION TEMPERATURE: -55°C TO +85°C.
 - PLEASE CONTACT FOXCONN SALES REPRESENTATIVE TO VERIFY PRODUCT DETAILS & AVAILABILITY.



PART NO. DESCRIPTION: A S O A6 2 * - N 2 S 6 - * H

MEMORY MODULE SOCKET
HORIZONTAL TYPE
SINGLE ROW
NO. OF POS.
A6 = 204 POS.
SMT
CONTACT AREA PLATING
6=10u" GOLD PLATING
1=GOLD FLASH

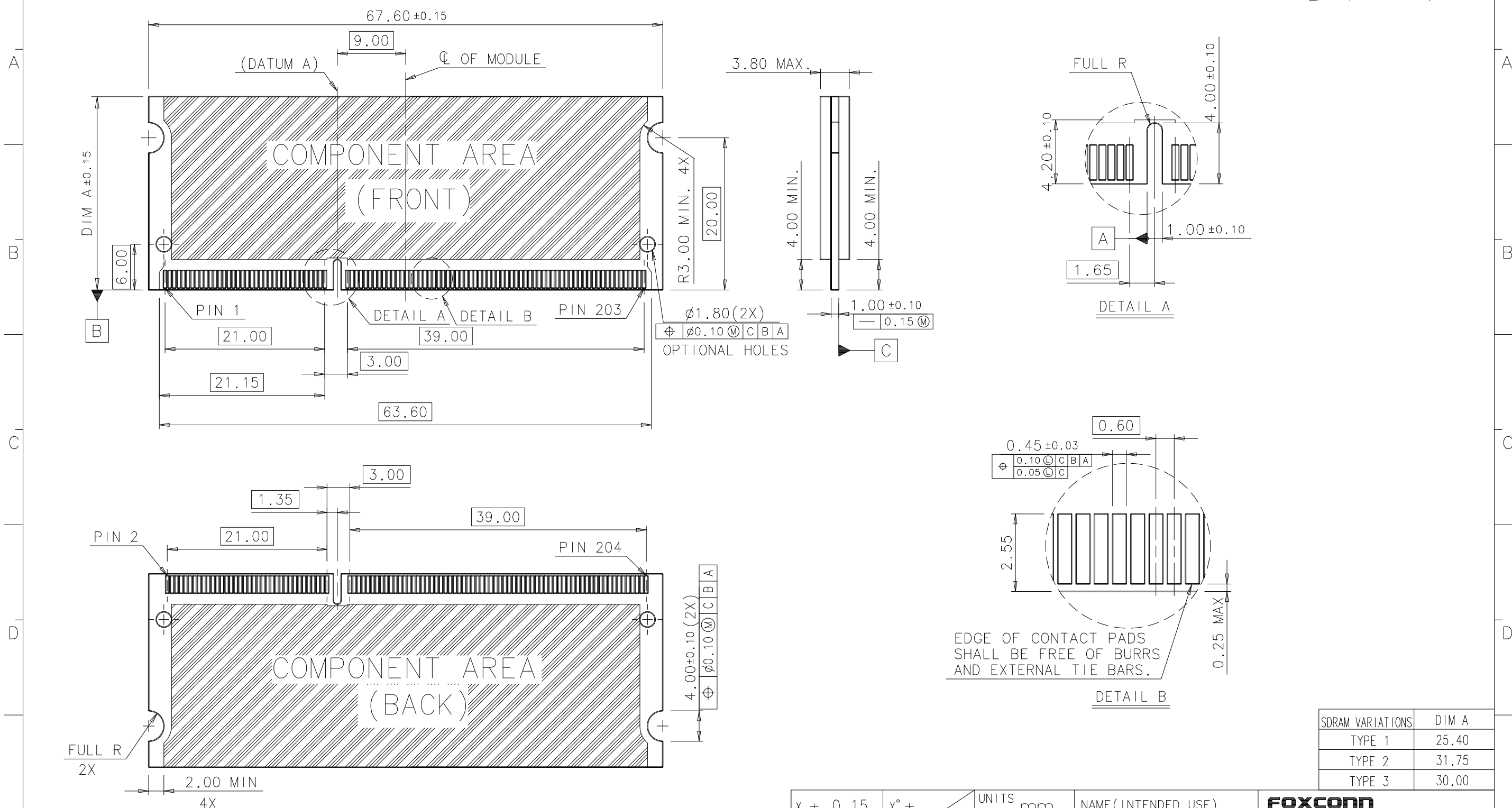
H=HALOGEN/LEAD FREE
4=SOFT TRAY
7=TAPE REEL
6=FOOL PROOF TYPE
S=STANDARD
2=5.2mm HEIGHT
DDR III SO DIMM

ITEM	DESCRIPTION	Q'TY	MATERIAL	TREATMENT
③	METAL SPRING	2	COPPER ALLOY	50u" NICKEL UNDER PLATING 2u" Pd PLATING OVER SOLDER PAD AREA
②	CONTACT	204	COPPER ALLOY	50u" NICKEL UNDER PLATING GOLD FLASH PLATING AT TAIL 10u" GOLD PLATING OR GOLD FLASH AT CONTACT AREA
①	HOUSING	1	THERMOPLASTIC	UL94V-0, HALOGEN FREE, IVORY COLOR

UNITS	mm	NAME (INTENDED USE)	FOXCONN
X. ± 0.30	X. ±	DDR III SO DIMM CONN.	HON HAI PRECISION IND. CO., LTD. TAIPEI, TAIWAN, R.O.C.
.X ± 0.25	.X ±	PART NO. (INTENDED USE)	TITLE:
.XX ± 0.15	.XX ±	ASOA62*-N2S6-*H	CUSTOMER DRAWING
.XXX ±	.XXX ±	APPD: Herry Yang	DWG NO.: 317-0000-1832
THESE DRAWINGS AND SPECIFICATIONS ARE THE PROPERTY OF HON HAI PRECISION IND. CO., LTD. AND SHALL NOT BE REPRODUCED, COPIED OR USED IN ANY MANNER WITHOUT THE PRIOR WRITTEN CONSENT OF HON HAI PRECISION IND. CO., LTD.		CHKD: ZH.Wang	SCALE SHEET REV.
		DR: Gary Xu 03/15'11	N/A 1/5 B

IDEAS GENERATED DRAWING, DO NOT CHANGE BY HAND

REV.	ECN.	NO.	APPD.



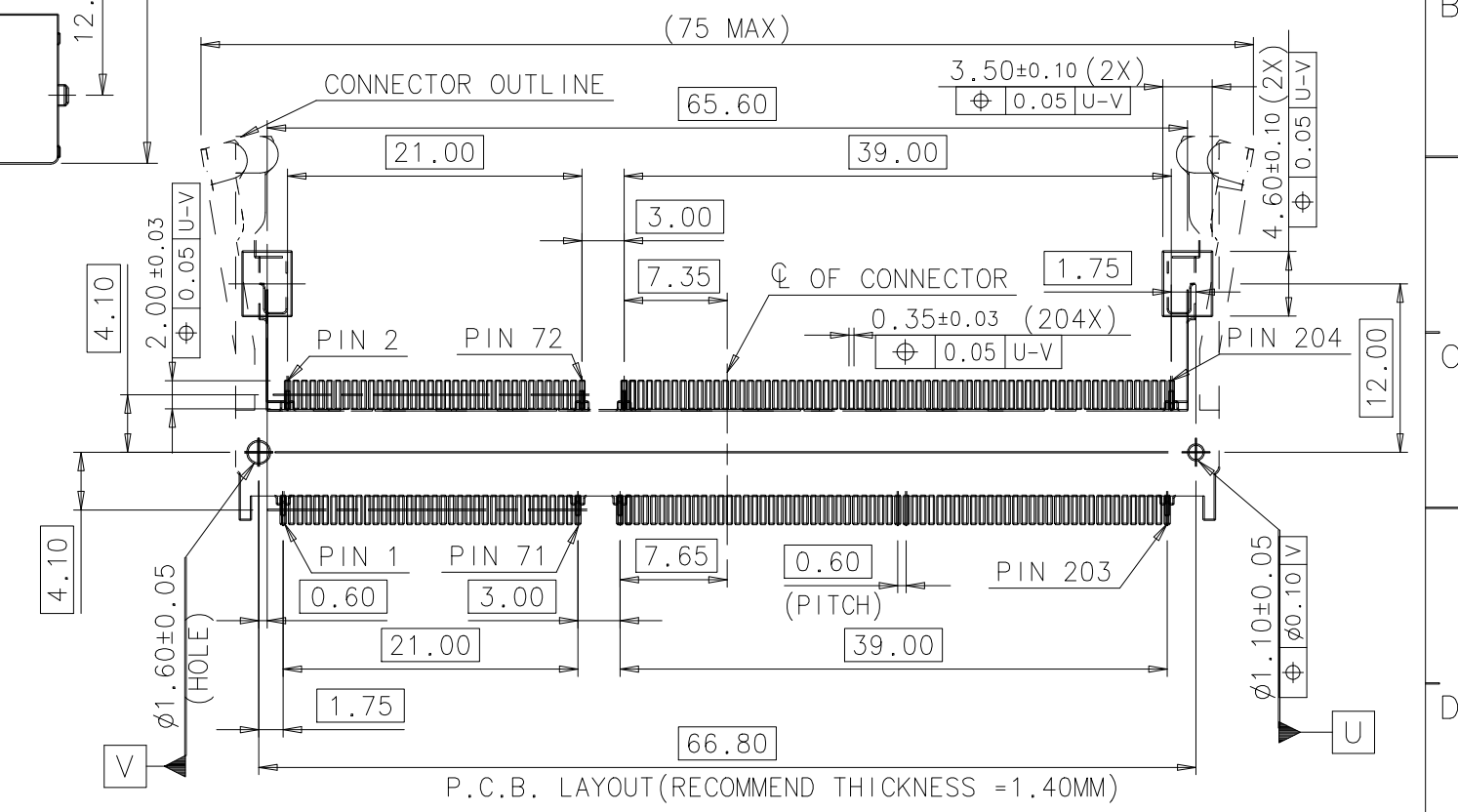
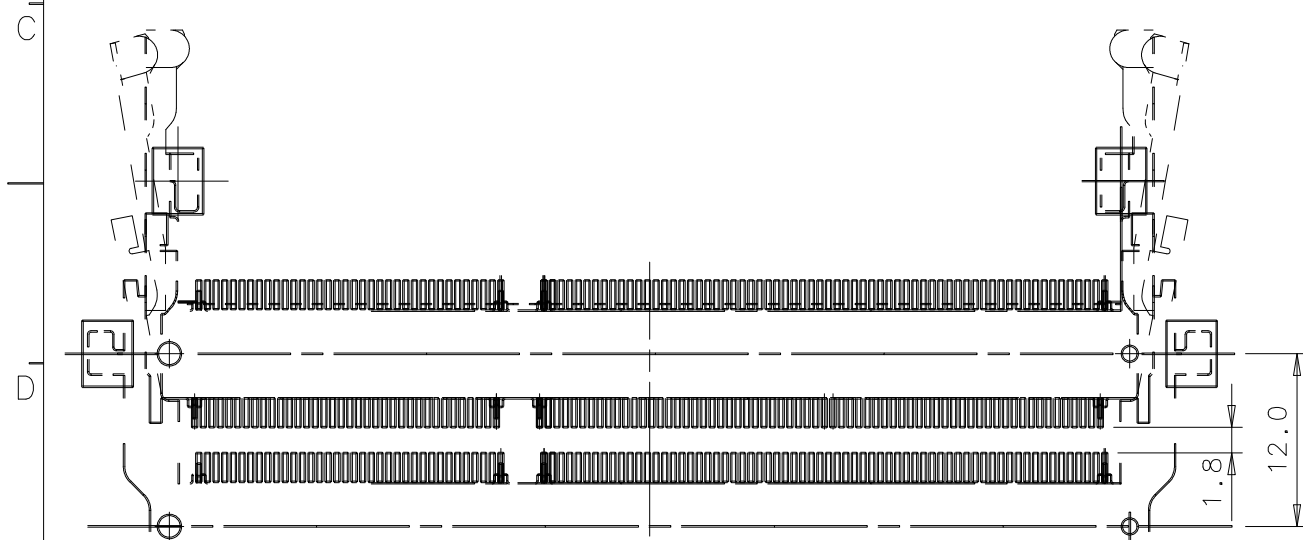
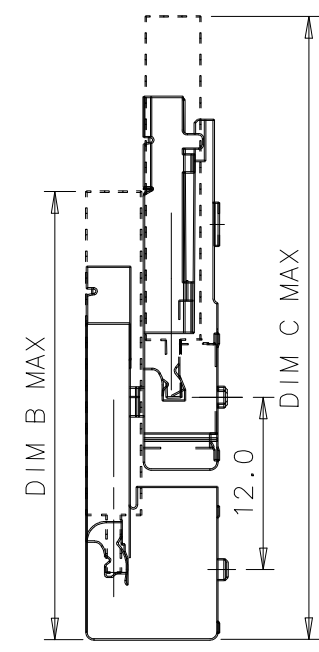
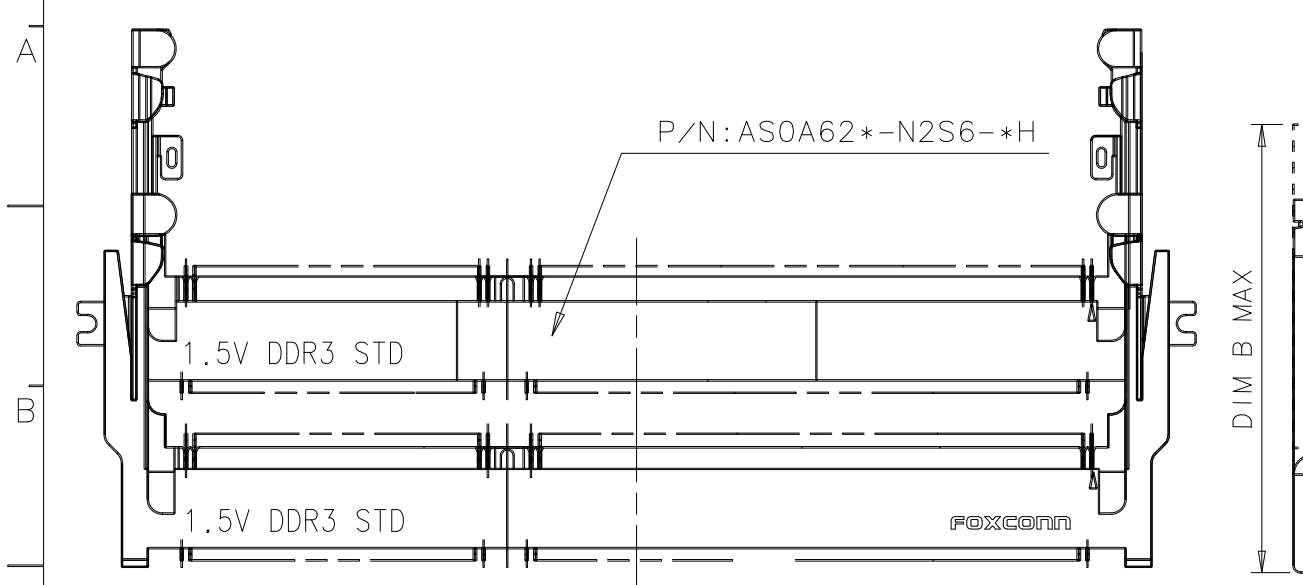
DDRIII SO-DIMM MODULE BOARD LAYOUT

SDRAM VARIATIONS	DIM A
TYPE 1	25.40
TYPE 2	31.75
TYPE 3	30.00

x. ± 0.15	x° ±	UNITS mm	NAME (INTENDED USE)	FOXCONN HON HAI PRECISION IND. CO., LTD. TAIPEI, TAIWAN, R.O.C.
.x ± 0.10	.x° ±		DDRIII SO DIMM CONN.	
.xx ± 0.05	.xx° ±	MAT'L	PART NO. (INTENDED USE)	TITLE:
.xxx ±	.xxx° ±		AS0A62*-N2S6-*H	CUSTOMER DRAWING
THESE DRAWINGS AND SPECIFICATIONS ARE THE PROPERTY OF HON HAI PRECISION IND. CO., LTD. AND SHALL NOT BE REPRODUCED, COPIED OR USED IN ANY MANNER WITHOUT THE PRIOR WRITTEN CONSENT OF HON HAI PRECISION IND. CO., LTD.			APPD: Herry Yang	DWG NO.:
			CHKD: ZH.Wang	317-0000-1832
Q'TY			DR: Gary Xu 03/15'11	SCALE SHEET REV.
				N/A 2/5 B

IDEAS GENERATED DRAWING, DO NOT CHANGE BY HAND

REV.	ECN.	NO.	APPD.



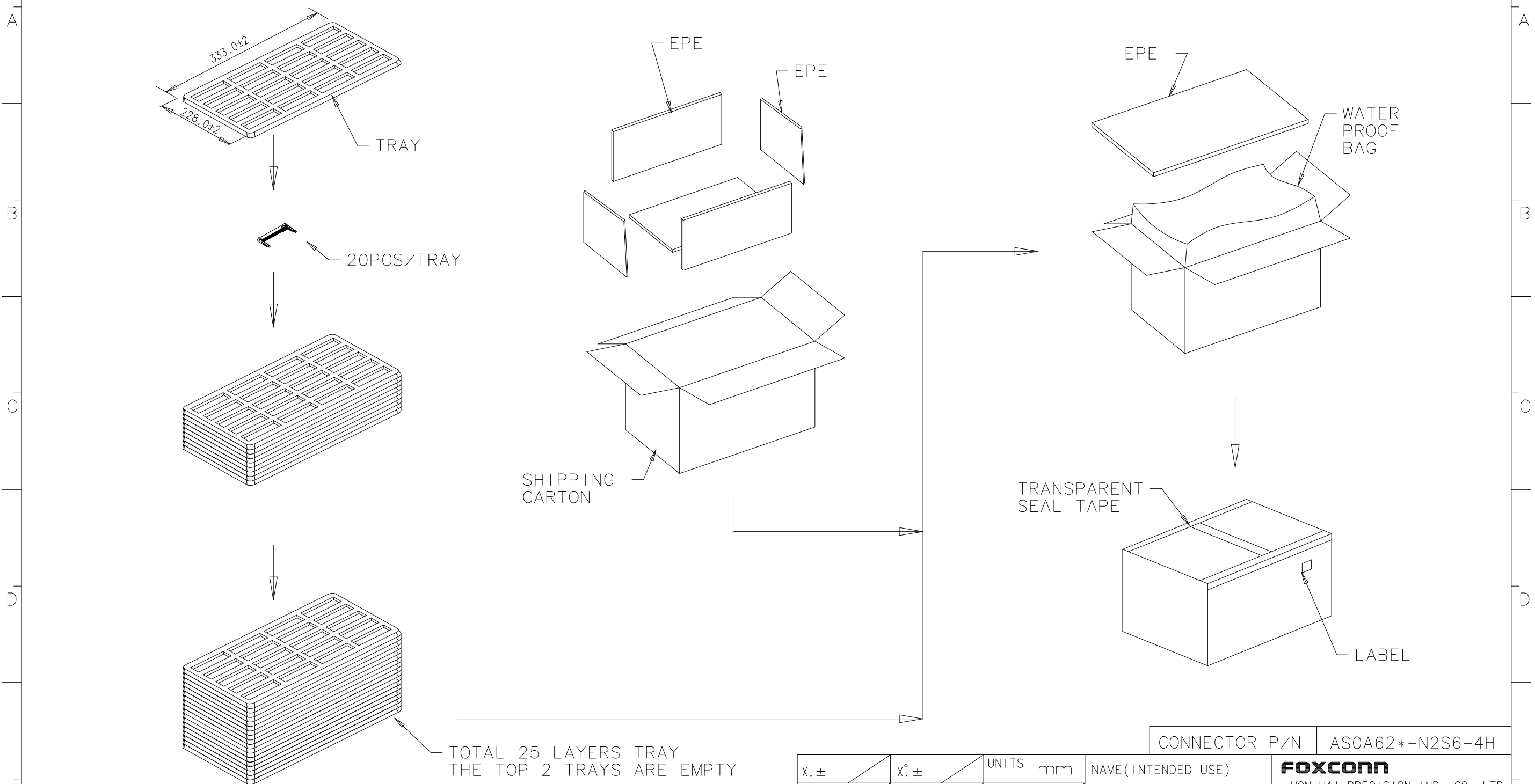
OUTLINE OF CONNECTOR

SDRAM VARIATIONS	DIM B	DIM C
TYPE 1	30.4	42.4
TYPE 2	36.7	48.7
TYPE 3	35.0	47.0

x. ± 0.15	x.° ±	UNITS	mm	NAME (INTENDED USE)	FOXCONN HON HAI PRECISION IND. CO., LTD. TAIPEI, TAIWAN, R.O.C.	
.x ± 0.10	.x° ±	MAT'L		DDRIII SO DIMM CONN.		
.xx ± 0.05	.xx° ±			PART NO. (INTENDED USE)	TITLE:	
.xxx ±	.xxx° ±	FINISH		AS0A62*-N2S6-*H	CUSTOMER DRAWING	
THESE DRAWINGS AND SPECIFICATIONS ARE THE PROPERTY OF HON HAI PRECISION IND. CO., LTD. AND SHALL NOT BE REPRODUCED, COPIED OR USED IN ANY MANNER WITHOUT THE PRIOR WRITTEN CONSENT OF HON HAI PRECISION IND. CO., LTD.				APPD: Herry Yang	DWG NO.: 317-0000-1832	
				CHKD: ZH.Wang		
				DR: Gary Xu 03/15'11		
				SCALE	SHEET	REV.
				N/A	3/5	B

IDEAS GENERATED DRAWING, DO NOT CHANGE BY HAND

REV.	ECN.	NO.	APPD.

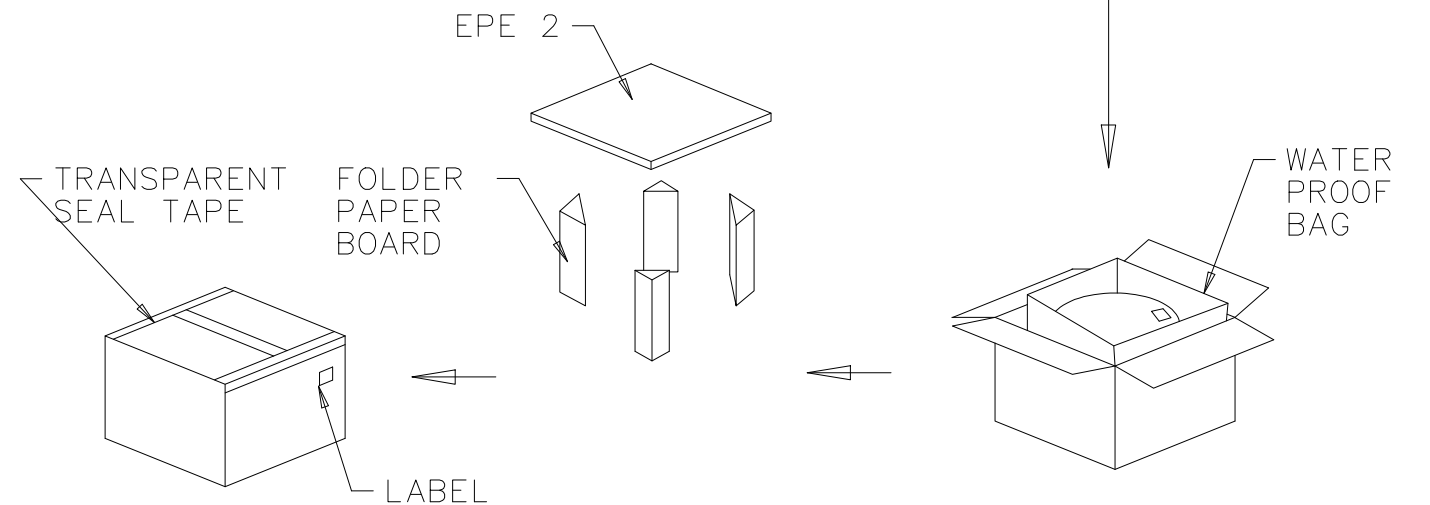
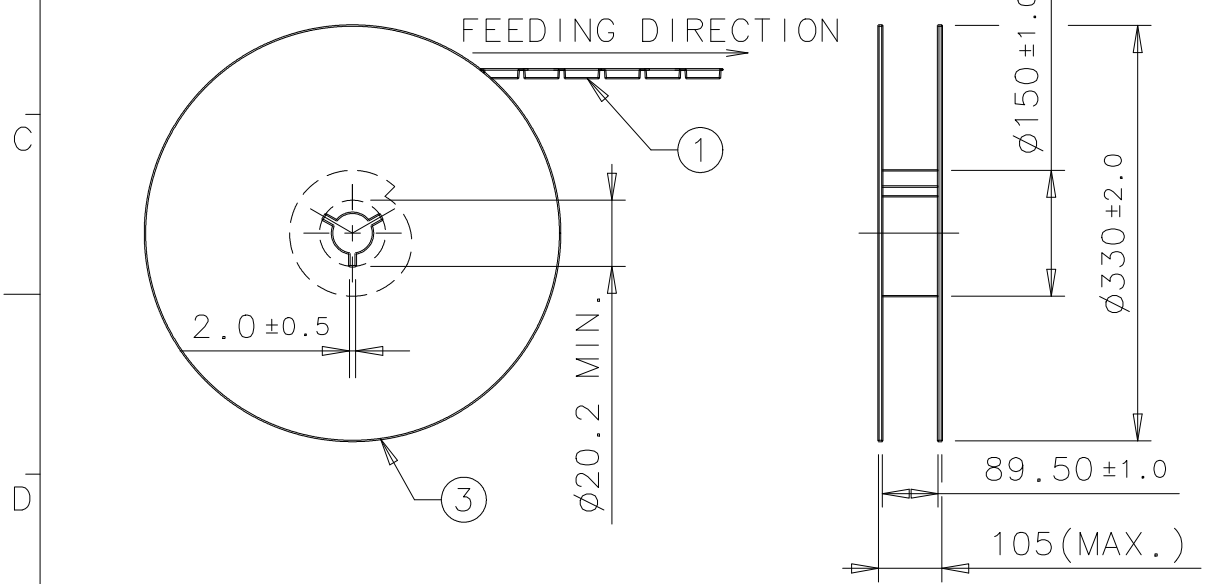
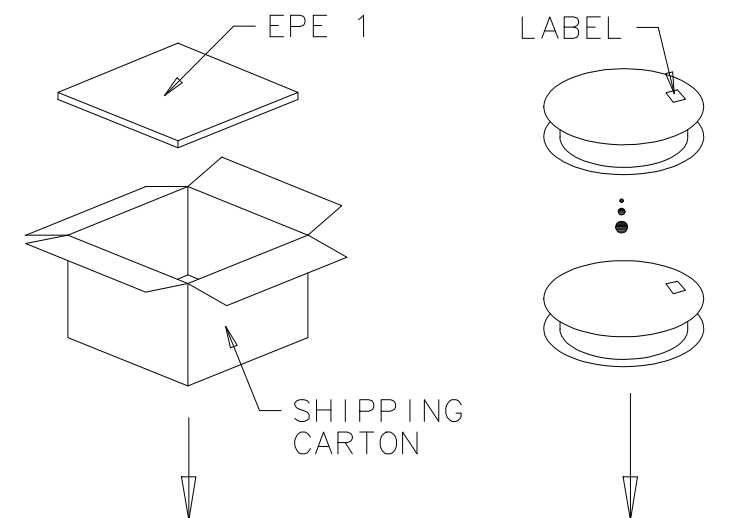
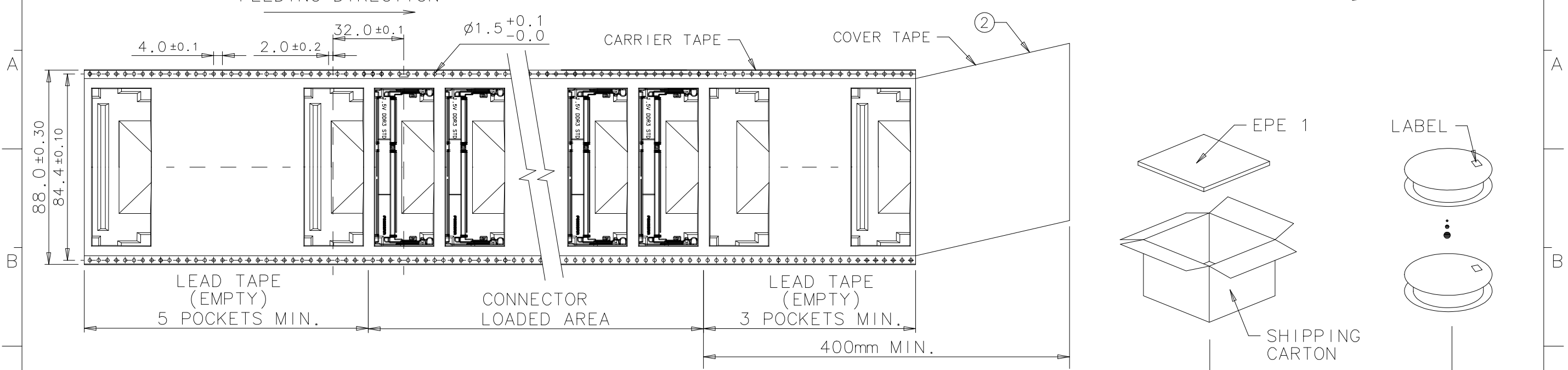


NOTES:

1. PACKING CAPACITY : 20 PCS/TRAY, 23 TRAYS/BOX,
TOTAL 460 PCS/BOX.

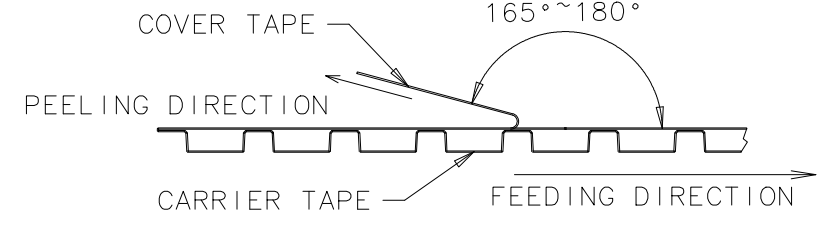
CONNECTOR P/N AS0A62*-N2S6-4H

X.±	X°.±	UNITS	mm	NAME (INTENDED USE)	FOXCONN HON HAI PRECISION IND. CO., LTD. TAIPEI, TAIWAN, R.O.C.	
.X±	.X°.±	MAT'L		DDRIII SO DIMM CONN.		
.XX±	.XX°.±			PART NO. (INTENDED USE)	TITLE:	
.XXX±	.XXX°.±	FINISH		AS0A62*-N2S6-*H	CUSTOMER DRAWING	
THESE DRAWINGS AND SPECIFICATIONS ARE THE PROPERTY OF HON HAI PRECISION IND. CO., LTD. AND SHALL NOT BE REPRODUCED, COPIED OR USED IN ANY MANNER WITHOUT THE PRIOR WRITTEN CONSENT OF HON HAI PRECISION IND. CO., LTD.				APPD: Herry Yang	DWG NO.:	
				CHKD: ZH.Wang	317-0000-1832	
				DR: Gary Xu 03/15'11		
				SCALE	SHEET	REV.
				N/A	4/5	B



- NOTES:
- 10 POCKETS HOLE PITCH CUMULATIVE TOLERANCE $\pm 0.20\text{mm}$.
 - COVER TAPE PEELING STRENGTH : 0.01 kgf MIN. 0.15 kgf MAX. AT 300mm/min.

③	REEL	POLYSTYRENE
②	COVER TAPE	POLYSTER
①	CARRIER TAPE	POLYSTYRENE
ITEM	DESCRIPTION	MATERIAL



3. PACKING CAPACITY : 250 PCS/REEL, 3 REELS/BOX, TOTAL 750 PCS/BOX.

X. ±	X° ±	UNITS	mm	NAME (INTENDED USE)	FOXCONN HON HAI PRECISION IND. CO., LTD. TAIPEI, TAIWAN, R.O.C.	
.X ±	.X° ±	MAT'L		DDR III SO DIMM CONN.		
.XX ±	.XX° ±			PART NO. (INTENDED USE)	TITLE:	
.XXX ±	.XXX° ±	FINISH		AS0A62*-N2S6-*H	CUSTOMER DRAWING	
THESE DRAWINGS AND SPECIFICATIONS ARE THE PROPERTY OF HON HAI PRECISION IND. CO., LTD. AND SHALL NOT BE REPRODUCED, COPIED OR USED IN ANY MANNER WITHOUT THE PRIOR WRITTEN CONSENT OF HON HAI PRECISION IND. CO., LTD.				APPD: Herry Yang	DWG NO.:	
				CHKD: ZH.Wang	317-0000-1832	
				DR: Gary Xu 03/15'11		
				SCALE	SHEET	REV.
				N/A	5/5	B

CONNECTOR P/N	AS0A62*-N2S6-7H
---------------	-----------------