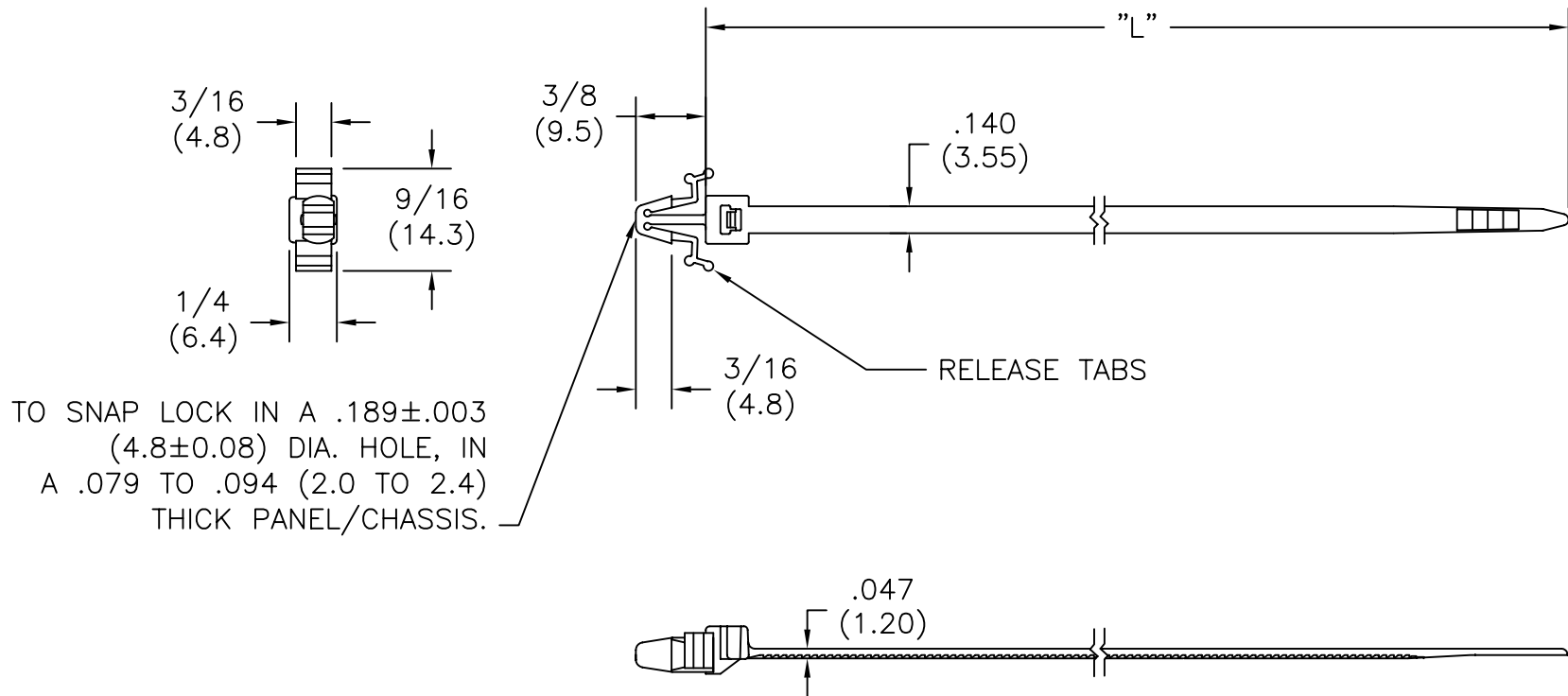


PART NO.	LENGTH "L" APROX.	BUNDLE DIA.
WIT-30RAR1-2	4.75 (120.7)	1.00 (25.4)
WIT-30LAR1-2	5.75 (146.0)	1.25 (31.8)



- NOTES:
1. MATERIAL: NYLON 6/6 (RMS-01).
 2. COLOR: NATURAL.
 3. MIN. LOOP TENSILE 30 LBS.

TITLE: WIT-30XAR1-2		DWG IN IN (MM)		FINAL	
TOLERANCES UNLESS NOTED .XX=±.010 .XXX=±.005 FRAC=±1/32 ANG=±1°	FILE # WIT-30XAR1-2 MAT'L: SEE NOTES RE: RICHCO, INC.	DWN: DLC DT: 5/24/01	APP: DT:	PART # WIT-30XAR1-2	PRINT TYPE CA
RICHCO INC. PO BOX 804238, CHICAGO, 60680 (773) 539-4060					

REV	DESCRIPTION	ENGR	DATE
B	SEE ECN #893 FOR CHANGES	SM	12.15.04
A	RELEASED FOR PRODUCTION	SM	09.20.01