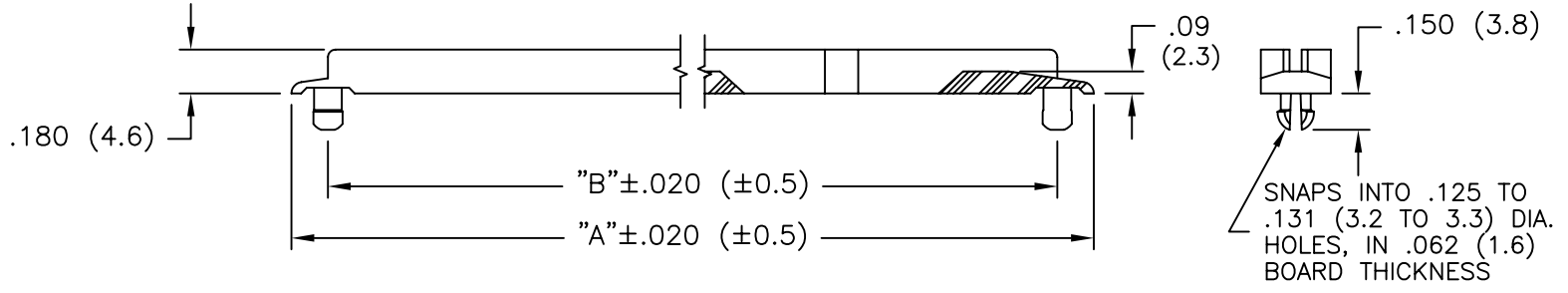
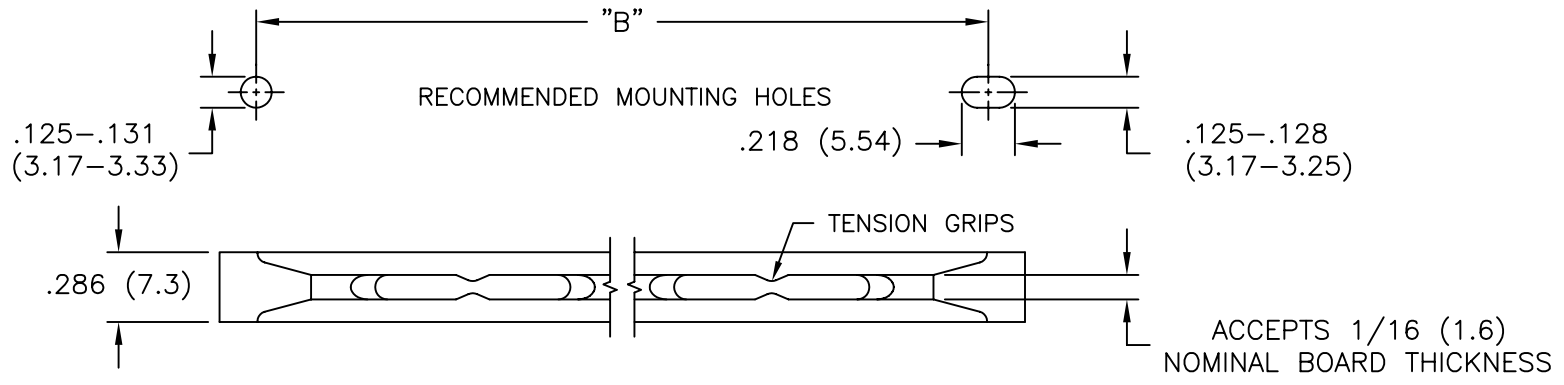


PART NO.	NOM. "A"	NOM. "B"	NO. OF GRIPS
TCG1-2.500-23	2.500 (63.5)	2.200 (55.9)	1
TCG1-3.300-23	3.300 (83.8)	3.000 (76.2)	2
TCG1-3.925-23	3.925 (99.7)	3.625 (92.1)	2
TCG1-6.675-23	6.675 (169.5)	6.375 (161.9)	4



- NOTES:
 1. MATERIAL: POLYCARBONATE (RMS-23).
 2. COLOR: BLACK.

TITLE: TENSION CARD GUIDE			DWG IN IN (MM) FINAL			
TOLERANCES UNLESS NOTED .XX=±.010 .XXX=±.005 FRAC=±1/64 ANG=±1°		FILE # TCG	DWN: P.B.	APP:	PART #	
REV		MAT'L: SEE NOTES	DT: 09-15-94	DT:	SEE TABLE	
A UPDATED PRINT AND CHANGED FILE NO. SM 10.09.01		RE: RICHCO, INC.	RICHCO INC. PO BOX 804238, CHICAGO, 60680 (773) 539-4060		PRINT TYPE CA	
DESCRIPTION ENGR DATE						