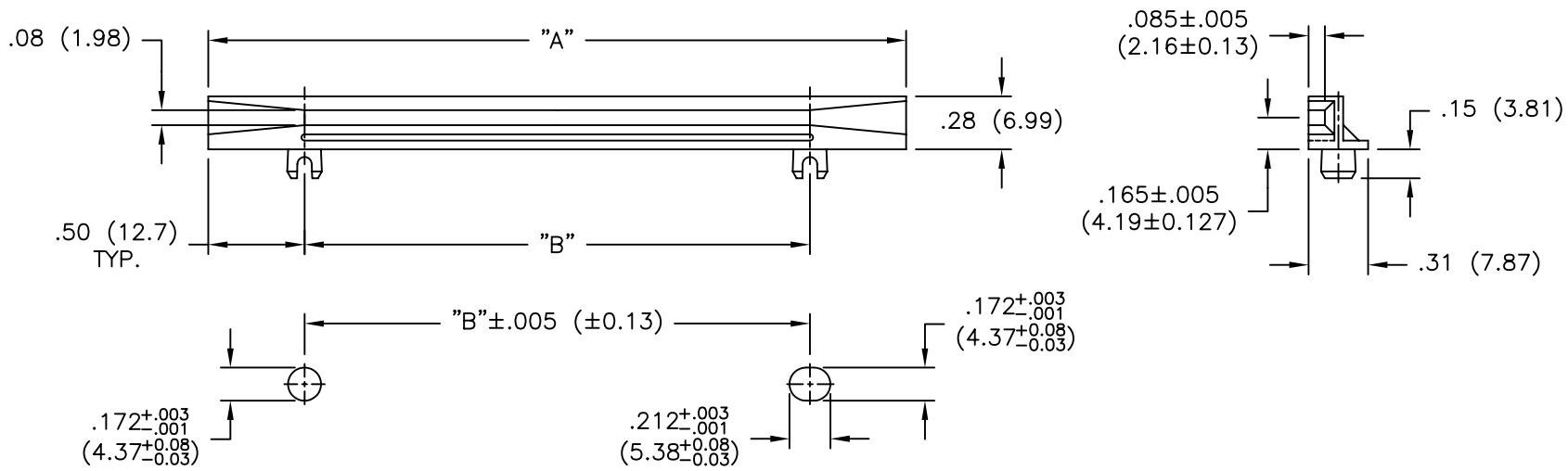


PART NO.	DIM. "A" ±.016 (±0.41)	DIM. "B" ±.016 (±0.41)
RSSHG-201-165	2.0 (50.8)	1.0 (25.4)
RSSHG-251-165	2.5 (63.5)	1.5 (38.1)
RSSHG-301-165	3.0 (76.2)	2.0 (50.8)
RSSHG-351-165	3.5 (88.9)	2.5 (63.5)
RSSHG-401-165	4.0 (101.6)	3.0 (76.2)
RSSHG-451-165	4.5 (114.3)	3.5 (88.9)
RSSHG-501-165	5.0 (127.0)	4.0 (101.6)
RSSHG-551-165	5.5 (139.7)	4.5 (114.3)
RSSHG-601-165	6.0 (152.4)	5.0 (127.0)



RECOMMENDED MOUNTING HOLES
 PANEL THICKNESS: .047-.090 (1.2-2.3)

- NOTES:
 1. MATERIAL: FLAME RETARDANT NYLON 6/6 (RMS-66).
 2. COLOR: BLACK.

TITLE: SINGLE SIDED HORIZONTAL CARD GUIDE			DWG IN IN (MM) FINAL			
TOLERANCES UNLESS NOTED .XX=±.01 (X.XX)=±0.5			FILE # RSSHG	DWN: SM	DT: 12/17/01	PART # SEE TABLE
RE: RICHCO, INC.			MAT'L: SEE NOTES	CHKD:	ENGR: RT	
B	SEE ECN #874 FOR CHANGES	SM 10.27.04	RICHCO INC. PO BOX 804238, CHICAGO, 60680 (773) 539-4060			PRINT TYPE CA
A	REDRAWN FROM UK PRINT (REV. A)	SM 12.17.01				
REV	DESCRIPTION	ENGR DATE				