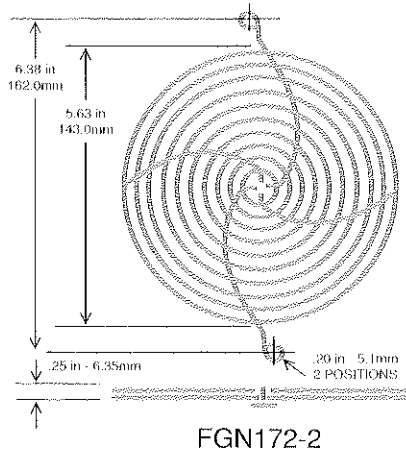
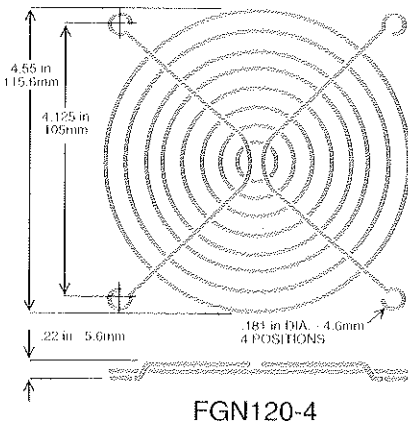
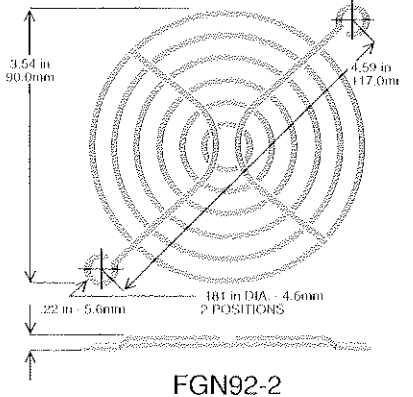
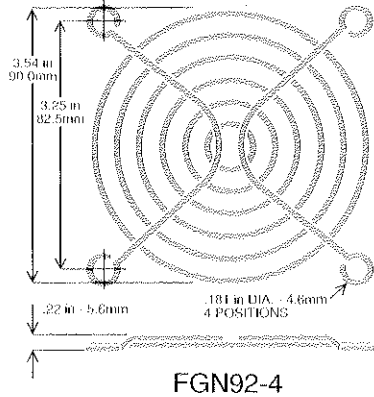
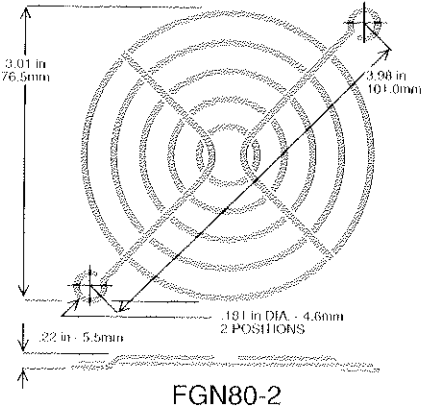
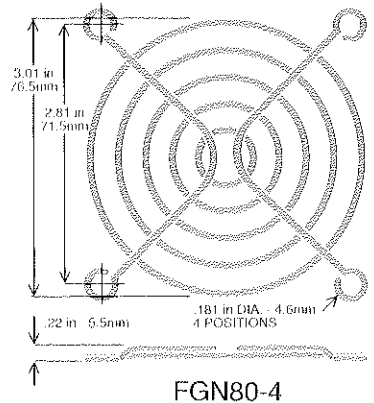
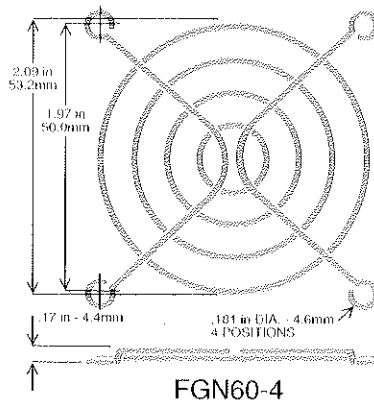
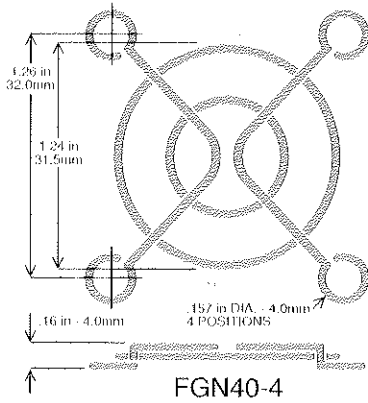




Cooling Fan Accessories: Single-source convenience and procurement cost control

ETRI, Inc., a leader in the design and production of AC and DC cooling fans, also offers a complete line of wire form fan guards, plastic fan filter assemblies and fan power cords. As a single source supplier of both fans and critical accessories, ETRI helps you streamline purchasing and control your procurement costs.

ETRI maintains a significant inventory of fan accessories to ensure that your orders are shipped promptly. Like ETRI cooling fans, ETRI fan accessories are designed and produced using only the most advanced methods and materials. Our goal is to provide our customers the high-quality products and the high-quality service they expect and deserve.



WIRE FORM FINGERSHIELDS

Durable finger shields ensure safe fan operation in situations that require customer protection. Our guards are made from sturdy 0.060" ribs and have bright nickel-chrome finish. Industry standard mounting centers allow use in both new designs and retrofit applications. All guard designs meet UL spacing requirements.

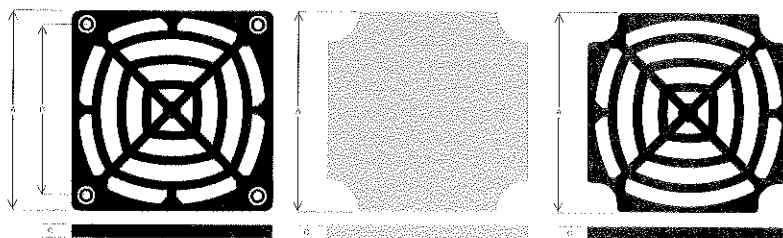
Part Number	Description	Fits	Finish	General Specifications
FGN40-4	Fingershield	40mm	Nickel chrome	<ul style="list-style-type: none"> • Meets UL/CSA requirements • Plating: bright nickel chrome .0005 minimum thickness • Weld joints withstand 230 lbs. separation force • Wire: C1010 Steel
FGN60-4	Fingershield	60mm	Nickel chrome	
FGN80-4	Fingershield	80mm	Nickel chrome	
FGN80-2	Fingershield	80mm	Nickel chrome	
FGN92-4	Fingershield	92mm	Nickel chrome	
FGN92-2	Fingershield	92mm	Nickel chrome	
FGN120-4	Fingershield	120mm	Nickel chrome	
FGN172-2	Fingershield	172mm	Nickel chrome	

PLASTIC FAN FILTER ASSEMBLIES

ETRI's plastic fan filter assemblies can be fan or cabinet mounted. They are designed to meet applicable safety regulations and to help keep your finished product operating cleanly, safely and reliably.

FITS FAN SIZE 1.57" SQUARE, 40 MM

Part number	Description	A	B	C
PFA-40-30	Retainer,Filter,Guard 30PPI	1.57	1.26	.24
PFA-40-45	Retainer,Filter,Guard 45PPI	1.57	1.26	.24
PFG-40	Plastic Guard	1.57	1.26	.24
PFR-40	Retainer	1.43		.11
PFM-40-30	30 PPI Filter Media	1.52		.10
PFM-40-45	45 PPI Filter Media	1.52		.10



Fingerguard

Filter Media

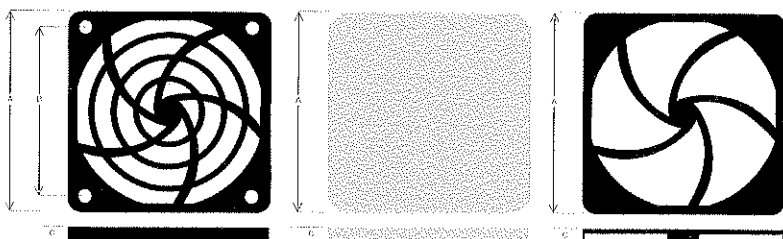
Retainer

FITS FAN SIZE 2.36" SQUARE, 60 MM

Part number	Description	A	B	C
PFA-60-30	Retainer,Filter,Guard 30PPI	2.36	1.97	.26
PFA-60-45	Retainer,Filter,Guard 45PPI	2.36	1.97	.26
PFG-60	Plastic Guard	2.36	1.97	.26
PFR-60	Retainer	2.21		.13
PFM-60-30	30 PPI Filter Media	2.32		.10
PFM-60-45	45 PPI Filter Media	2.32		.10

FITS FAN SIZE 3.15" SQUARE, 80 MM

Part number	Description	Dimensions		
		A	B	C
PFA-80-30	Retainer,Filter,Guard 30PPI	3.29	2.81	.39
PFA-80-45	Retainer,Filter,Guard 45PPI	3.29	2.81	.39
PFA-80-60	Retainer,Filter,Guard 60PPI	3.29	2.81	.39
PFG-80	Plastic Guard	3.15	2.81	.39
PFR-80	Retainer	3.29		.39
PFM-80-30	30 PPI Filter Media	3.06		.13
PFM-80-45	45 PPI Filter Media	3.06		.13
PFM-80-60	60 PPI Filter Media	3.06		.13



Fingerguard

Filter Media

Retainer

FITS FAN SIZE 3.62" SQUARE, 92 MM

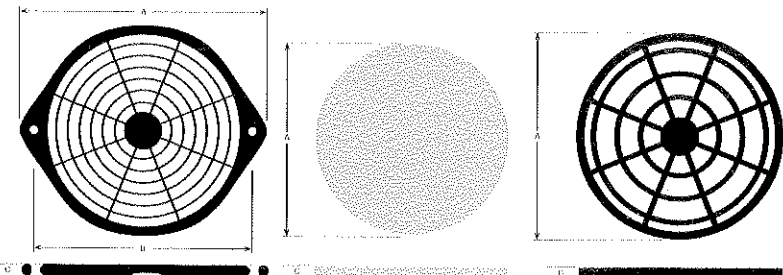
Part number	Description	A	B	C
PFA-92-30	Retainer,Filter,Guard 30PPI	3.77	3.25	.40
PFA-92-45	Retainer,Filter,Guard 45PPI	3.77	3.25	.40
PFA-92-60	Retainer,Filter,Guard 60PPI	3.77	3.25	.40
PFA-92-100	Retainer,Filter,Guard 100PPI	3.77	3.25	.40
PFG-92	Plastic guard	3.62	3.25	.28
PFR-92	Retainer	3.77		.40
PFM-92-30	30 PPI Filter Media	3.55		.13
PFM-92-45	45 PPI Filter Media	3.55		.13
PFM-92-60	60 PPI Filter Media	3.55		.13
PFM-92-100	100 PPI Filter Media	3.55		.13

FITS FAN SIZE 4.69" SQUARE, 120 MM

Part number	Description	A	B	C
PFA-120-30	Retainer,Filter,Guard 30PPI	4.88	4.13	.44
PFA-120-45	Retainer,Filter,Guard 45PPI	4.88	4.13	.44
PFA-120-60	Retainer,Filter,Guard 60PPI	4.88	4.13	.44
PFA-120-100	Retainer,Filter,Guard 100PPI	4.88	4.13	.44
PFG-120	Plastic Guard	4.62	4.13	.28
PFR-120	Retainer	4.88		.44
PFM-120-30	30 PPI Filter Media	4.56		.13
PFM-120-45	45 PPI Filter Media	4.56		.13
PFM-120-60	60 PPI Filter Media	4.56		.13
PFM-120-100	100 PPI Filter Media	4.56		.13

FITS FAN SIZE 6.75" ROUND OR STACKABLE, 172 MM

Part number	Description	A	B	C
PFA-172-45	Retainer,Filter,Guard 45PPI	7.10	6.38	.31
PFA-172-60	Retainer,Filter,Guard 60PPI	7.10	6.38	.31
PFA-172-100	Retainer,Filter,Guard 100PPI	7.10	6.38	.31
PFG-172	Plastic guard	7.10	6.38	.31
PFR-172	Retainer	5.85		.18
PFM-172-45	45 PPI Filter Media	5.93		.12
PFM-172-60	60 PPI Filter Media	5.93		.12
PFM-172-100	100 PPI Filter Media	5.93		.12



Fingerguard

Filter Media

Retainer