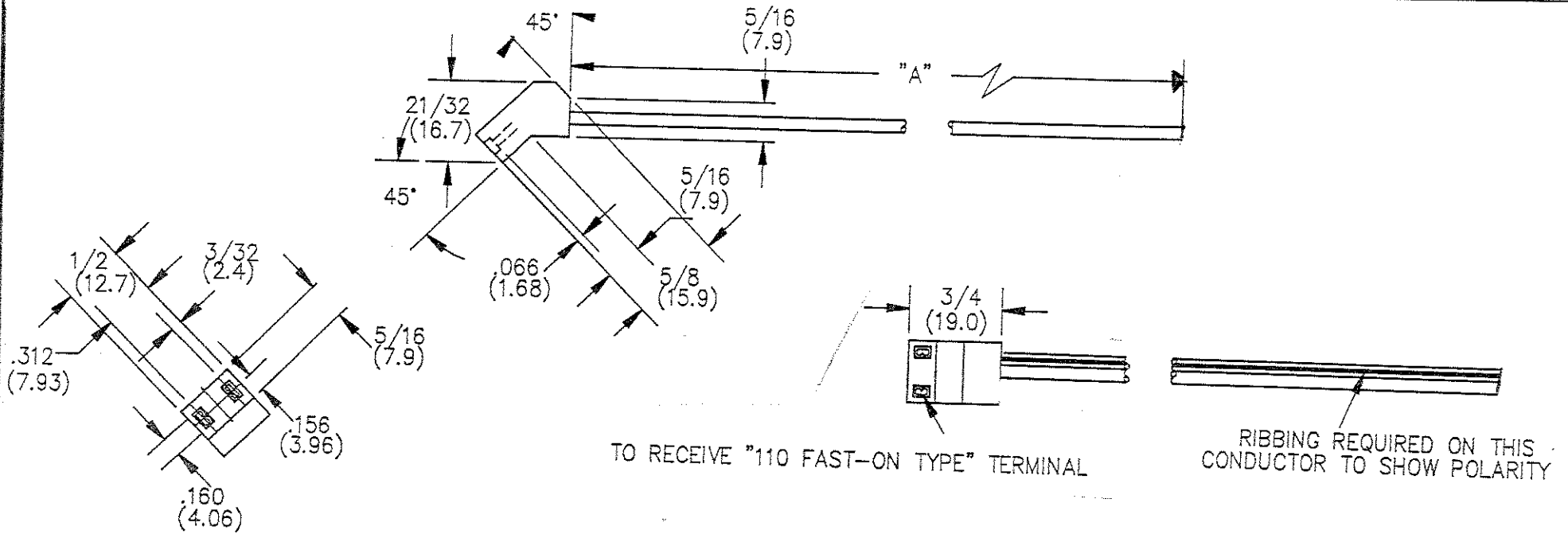


P/N	DIM "A" in.	DIM "A" mm
9601-12B	12 ± 3/8	304.8 ± 9.5
9601-24B	24 ± 3/8	609.6 ± 9.5
9601-30B	30 ± 1/2	762.0 ± 12
9601-36B	36 ± 1/2	914.4 ± 12

ECN	DATE	SYM	REVISION RECORD	AUTH.	DR.	CK.
	8/1/96	A	ADDED LENGTH TOLERANCE			
	11/3/92	B	REDRAWN FROM DWG 9601-XX REV. A		TAT	
	9/1/96	C	REVISED STRIP LENGTH. ADDED "B" TO PART NUMBER			



**NOTES:**

1. DIMENSIONS IN ( ) ARE METRIC.
2. MOLDING MATERIAL AND CONDUCTOR INSULATION MATERIAL IS PVC. CONTACT MATERIAL IS TIN PLATED BRASS.
3. FLEX CORD TO BE UL AND CSA VOLTAGE RATING 300 APPROVED CONDUCTOR IS 18-2 TYPE SPT-1 105° VW-1.
4. CORD TO BE PRINTED: #18-2 TYPE SPT 105° VW-1.
5. CSA AND UL APPROVAL MUST APPEAR ON BOX, 50/BUNDLE-UL/CSA TAGS PER EACH BUNDLE.

TOLERANCE EXCEPT AS NOTED	<b>ETRI</b> 1503 ROCKY RIVER ROAD, NORTH MONROE, NORTH CAROLINA 28110		
DECIMAL XX ± .010 XXX ± .005	PROJECT NUMBER	SCALE N.T.S.	DRAWN BY T. TRAN APPROVED BY
FRACTIONAL 1/32	TITLE FAN LINE CORD		
ANGULAR ±	DATE 9/1/96	DRAWING NUMBER 9601-XX	REV C