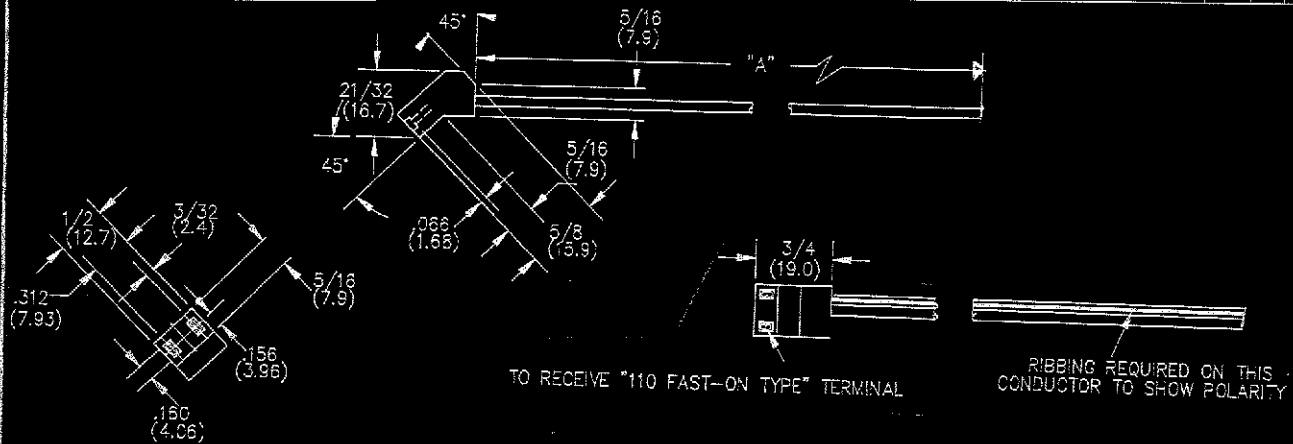


P/N	DIM "A" in	DIM "A" mm
9601-26B	12 ± 3/8	304.8 ± 9.5
9601-24B	24 ± 3/8	609.6 ± 9.5
9601-30B	30 ± 1/2	762.0 ± 12
9601-36B	36 ± 1/2	914.4 ± 12

ECN	DATE	SYM	REVISION RECORD	AUTH	IDR	CHK
	8/1/96	A	ADDED LENGTH TOLERANCE			
	11/2/96	B	DECRASED FROM 30.4 INCH TO 30.4		TAT	
	9/1/96	C	REVERSED STRIP LENGTH, ADDED 'B' TO PART NUMBER			



NOTES:

1. DIMENSIONS IN () ARE METRIC.
2. MOLDING MATERIAL AND CONDUCTOR INSULATION MATERIAL IS PVC. CONTACT MATERIAL IS TIN PLATED BRASS.
3. FLEX CORD TO BE UL AND CSA VOLTAGE RATING 300 APPROVED CONDUCTOR IS #18-2 TYPE SPT-1 105' VW-1.
4. CORD TO BE PRINTED: #18-2 TYPE SPT 105' VW-1.
5. CSA AND UL APPROVAL MUST APPEAR ON BOX, 50/BUNDLE-UL/CSA TAGS PER EACH BUNDLE.

TOLERANCE EXCEPT AS NOTED		ETRI [®] 1503 ROCKY RIVER ROAD, NORTH MONROE, NORTH CAROLINA 28110	
DESIGN BY : D10	PROJECT NUMBER	SCALE	DRAWN BY T. TRAN
CHK : 005		N.T.S.	APPROVED BY
FRACTIONAL 1/32	TITLE FAN LINE CORD		
ANGULAR ±	DATE 9/1/96	DRAWING NUMBER 9601-XX	REV C