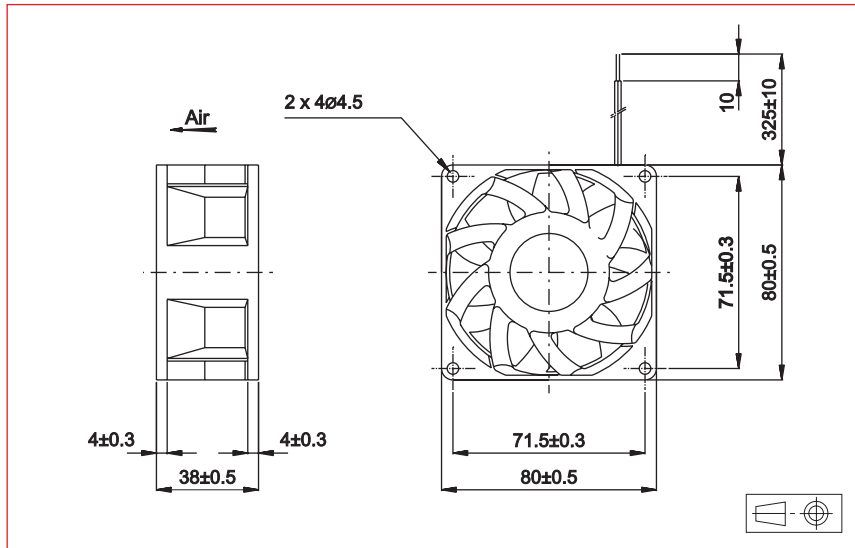


3,15" x 3,15" x 1,496" 80 x 80 x 38 mm

Series
344D

ETRI[®]

DC Axial Fans



Approvals



Life expectancy

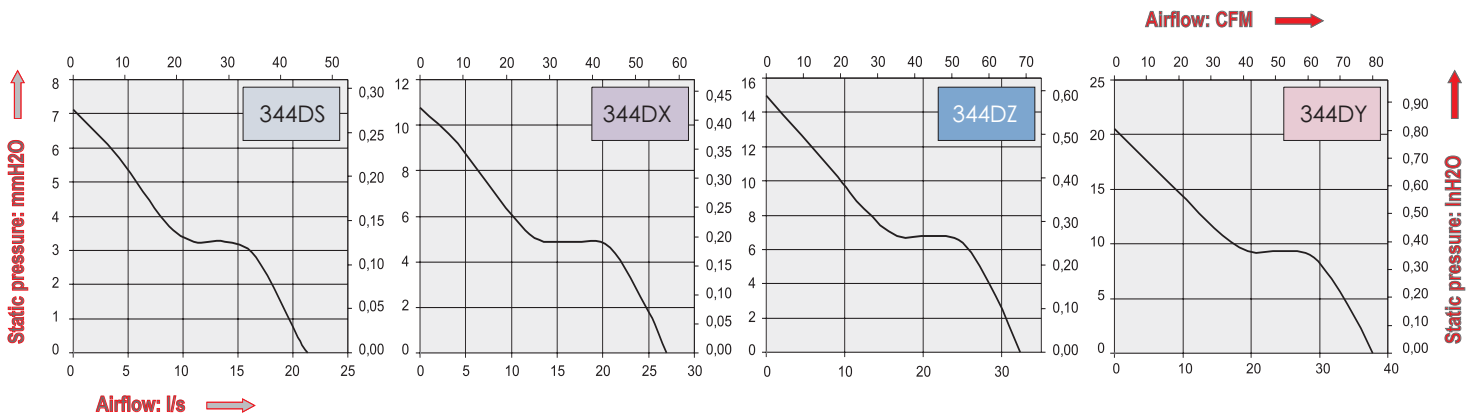
L-10 LIFE AT 40°C:
80 000 hours

Brushless DC Motor

Electrical protection: impedance protected
Housing material: plastic UL 94 VO
Impeller material: plastic UL 94 VO
Weight: 170 g
Bearing system: ball bearings

Available with:

- Speed sensor
- Open collector alarm
- IP54 / IP55



Part Number	Nominal voltage	Airflow	Noise level	Nominal speed	Input Power	Voltage range	Connection type		Operating temperature	
	V						l/s	dB(A)	RPM	W
344DS1LP11000	12	21,3	39	3400	2,4	(7-13,8)	X		-10	70
344DS2LP11000	24	21,3	39	3400	3,6	(14-27,6)	X		-10	70
344DS4LP11000	48	21,3	39	3400	3,8	(28-56)	X		-10	70
344DX1LP11000	12	27,0	44,5	4200	4,6	(7-13,8)	X		-10	70
344DX2LP11000	24	27,0	44,5	4200	5,8	(14-27,6)	X		-10	70
344DX4LP11000	48	27,0	44,5	4200	5,3	(28-56)	X		-10	70
344DZ1LP11000	12	32,3	48,5	4900	7,0	(7-13,8)	X		-10	70
344DZ2LP11000	24	32,3	48,5	4900	8,2	(41-27,6)	X		-10	70
344DZ4LP11000	48	32,3	48,5	4900	7,7	(28-56)	X		-10	70
344DY1LP11000	12	37,8	52,5	5700	10,8	(7-13,8)	X		-10	70
344DY2LP11000	24	37,8	52,5	5700	12,0	(14-27,6)	X		-10	70

Accessories:
Refer to Accessories leaflet