

DC Axial Fans

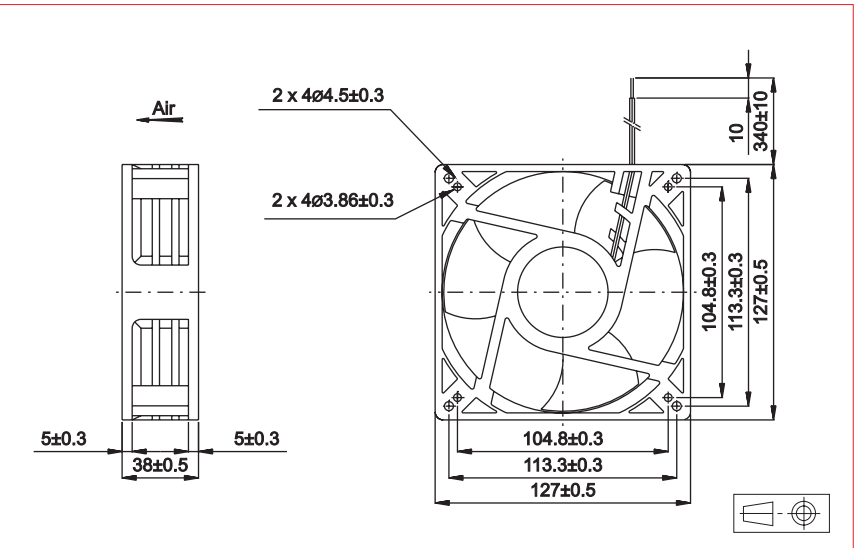


Approvals



Life expectancy

L-10 LIFE AT 40°C:
70 000 hours

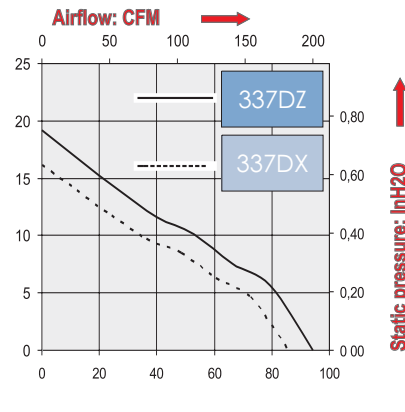
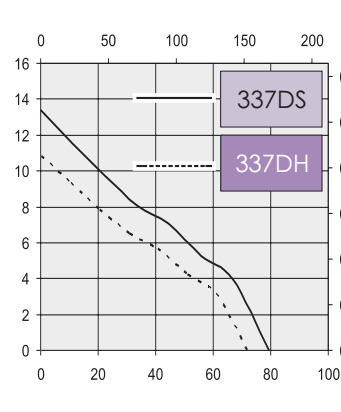
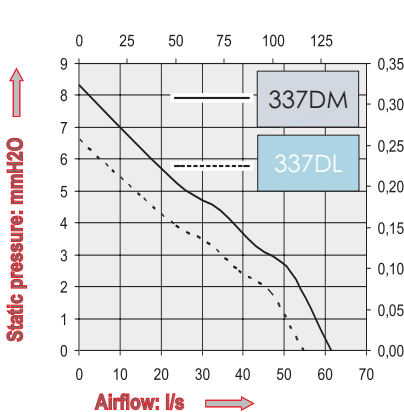


Brushless DC Motor

Electrical protection: impedance protected
Housing material: plastic UL 94 VO
Impeller material: plastic UL 94 VO
Weight: 370 g
Bearing system: ball bearings

Available with:

- Speed sensor
- Alarm
- IP54 / IP55



Part Number	Nominal voltage	Airflow	Noise level	Nominal speed	Input Power	Voltage range	Connection type		Operating temperature	
	V	l/s	dB(A)	RPM	W	V	Leads	Terminals	Min.°C	Max.°C
337DL1LP11000	12	53,3	43	2600	4,8	(7-13,6)	X		-10	70
337DL2LP11000	24	53,3	43	2600	5,3	(14-27,6)	X		-10	70
337DL4LP11000	48	53,3	43	2600	5,8	(28-56)	X		-10	70
337DM1LP11000	12	61,4	46,5	3000	7,0	(7-13,6)	X		-10	70
337DM2LP11000	24	61,4	46,5	3000	7,4	(14-27,6)	X		-10	70
337DM4LP11000	48	61,4	46,5	3000	7,7	(28-56)	X		-10	70
337DH1LP11000	12	71,2	49,5	3400	9,8	(7-13,6)	X		-10	70
337DH2LP11000	24	71,2	49,5	3400	9,8	(14-27,6)	X		-10	70
337DH4LP11000	48	71,2	49,5	3400	10,1	(28-56)	X		-10	70
337DS1LP11000	12	79,3	52,5	3800	13,0	(7-13,6)	X		-10	70
337DS2LP11000	24	79,3	52,5	3800	13,0	(14-27,6)	X		-10	70
337DS4LP11000	48	79,3	52,5	3800	10,1	(28-56)	X		-10	70
337DX1LP11000	12	87,3	55,5	4200	16,8	(7-13,6)	X		-10	70
337DX2LP11000	24	87,3	55,5	4200	16,8	(14-27,6)	X		-10	70
337DZ1LP11000	12	94,4	58,5	4600	22,1	(7-13,6)	X		-10	60
337DZ2LP11000	24	94,4	58,5	4600	22,1	(14-27,6)	X		-10	60

Additional versions: 337DX in 48 V

Accessories: Refer to Accessories leaflet