

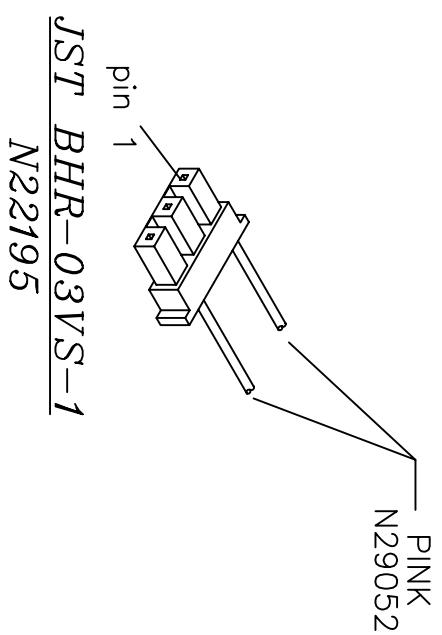
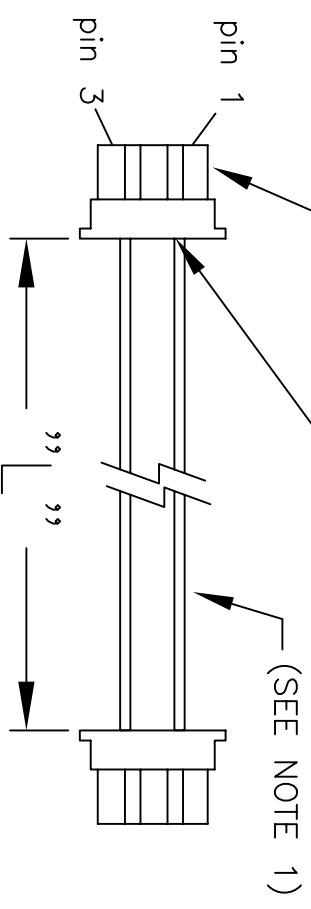
REVISIONS

ZONE	REV.	DESCRIPTION	DATE	APPROVED
0		RELEASED	04/22/05	CC
1		REMOVED STAMP ADDED CABLE TIE	10/13/05	CC
2		TERMINALS ARE L/F	06/16/06	AK
3		REMOVED CABLE TIE	08/21/07	CC

H8302XXX	"L" (length)
178	7.0"

"CONNECTOR"
 JST P/N BHR-03-VS-1
 N22195 (2x)
 (SEE NOTE 4)

"TERMINAL"
 JST SBH-001T-P0.5
 N25024F (4x)
 (SEE NOTES 2,3)



- NOTE:
1. WIRES TO BE #24 AWG 3KV, UL3239 IN THE COLORS LISTED.
 2. CABLE INSULATION TO BE CAPTIVATED BY CRIMP TERMINAL. SEE ATTACHED DRAWINGS FOR ACCEPTABILITY.
 3. STRIP LENGTH FOR WIRES ARE 2.5±.3mm (.086-.110in.)
 4. CONNECTOR POSITIONS 1 & 3 ARE POPULATED.

TOLERANCES		USED ON		DATE		TITLE	
FRACTION ± 1/8	BM PRODUCTS	APPROVALS	DATE				
2 PL. DEC. ±.01		CC	04/22/05	P/N	H8302		
3 PL. DEC. ±.005		CHECKED CC	04/22/05	DRAWING NUMBER	H8302		
MATERIAL		APPROVED CC		SCALE			
FINISH							
DO NOT SCALE							

ENDICOTT RESEARCH GROUP, INC.
 2601 WAYNE ST., ENDICOTT, NY 13760 807-754-9187