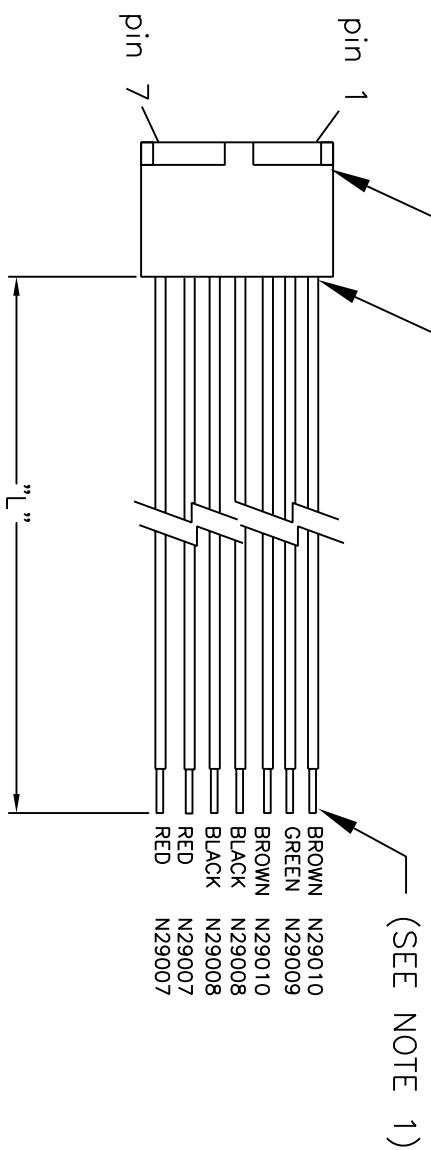


REVISIONS				
ZONE	REV.	DESCRIPTION	DATE	APPROVED
	0	RELEASED	12/17/01	CC
	1	CHANGED INK COLOR TO BLACK	02/14/05	CC
	2	ADDED 460 TO 18" LENGTH	11/16/05	CC
	3	ADDED BAG N30665	06/25/07	CC

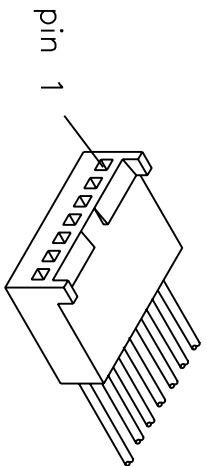
"CONNECTOR"
MOLEX P/N 22-01-3077
N22171

"TERMINAL"
MOLEX P/N 08-52-0123/0101
N25023 (7X)
(SEE NOTE 2)



(SEE NOTE 1)

H3007XXX	"L" (length)
076	3"
152	6"
170	6.7"
203	8"
229	9"
305	12"
457/460	18"
610	24"



H3007 OPTION LOCKING

(ALIGNMENT BUTTON & LOCKING TAB)

- NOTE:
1. WIRES TO BE #24 AWG, MIL STD W16878 TYPE "B" IN COLORS SHOWN. STRIP 2.85 ± .32mm.
 2. CABLE INSULATION TO BE CAPTIVATED BY CRIMP TERMINAL, PER IPC/WHMA-A-620.
 3. CONNECTOR POSITIONS 1 THRU 7 ARE POPULATED.
 4. PLACE 50 HARNESS ASSEMBLIES IN BAG N30665. MARK PART NUMBER AND QTY. ON BAG WITH PERMANENT MARKER.

TOLERANCES		USED ON		MA PRODUCTS	
FRACTION ± 1/8	2 PL. DEC. ± .01	APPROVALS	DATE		
3 PL. DEC. ± .005		DRAWN CC	12/17/01	TITLE	WIRING HARNESS
MATERIAL		CHECKED CC	12/17/01	P/N	H3007
FINISH		APPROVED CC	12/17/01	DRAWING NUMBER	H3007
DO NOT SCALE				SCALE	SHEET 1 OF 1

ENDICOTT RESEARCH GROUP, INC.
2601 WAYNE ST., ENDICOTT, NY 13760 607-754-9187