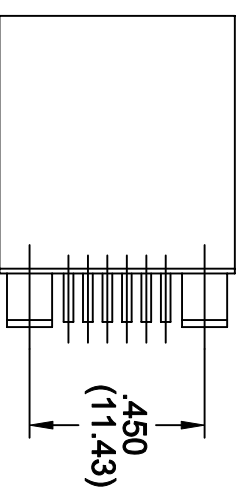
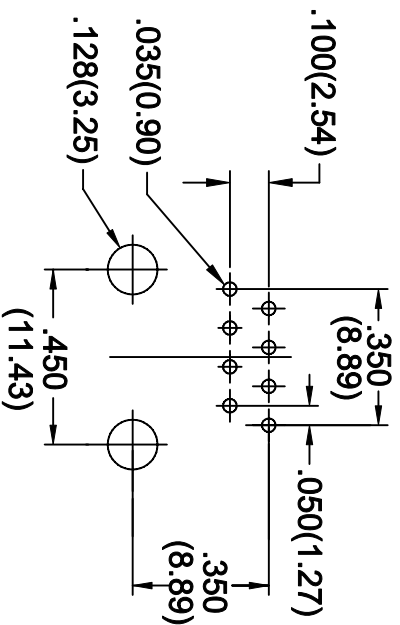
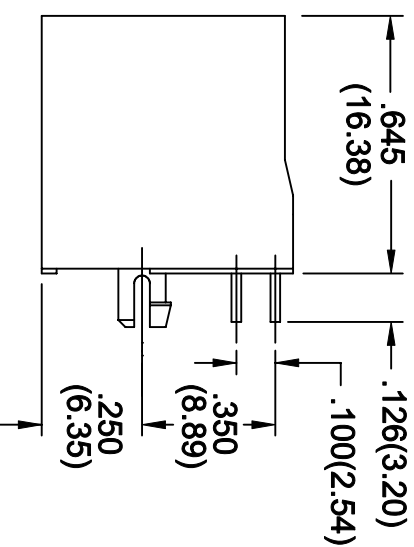
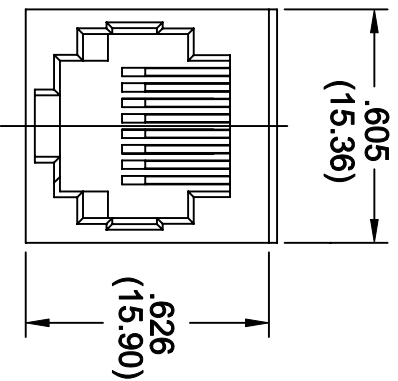
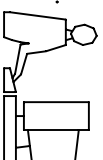


THIS IS A C.A.D. GENERATED DRAWING  
DO NOT MAKE MANUAL REVISIONS TO MASTER.

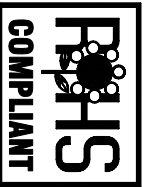


**NOTES**

**MATERIAL:**

HOUSING: PBT POLYESTER, UL94V-0 RATED  
COLOR BLACK

CONTACTS: PHOSPHOR BRONZE  
GOLD FLASH OVER NICKEL ON CONTACT AREA  
TIN PLATING ON TAILS



THIS SERIES FULLY CONFORMS TO THE  
EUROPEAN UNION DIRECTIVES 2002/95/EC  
AND 2002/96/EC FOR ROHS COMPLIANCY.

**MODULAR JACK TOP ENTRY PCB  
8 POSITIONS**

**EDAC INC**  
TORONTO, ONTARIO  
CANADA  
YOUR CONNECTION TO QUALITY & SERVICE

THESE DRAWINGS AND SPECIFICATIONS  
ARE THE PROPERTY OF EDAC INC. AND  
SHALL NOT BE REPRODUCED, OR COPIED  
OR USED AS THE BASIS FOR THE  
MANUFACTURE OR SALE OF APPARATUS  
WITHOUT WRITTEN PERMISSION.

ACAD REFERENCE NO. A00-108-220-450

DRAWN: R.BLAKELY DATE: NOV. 13/06

CHECKED: DATE:

PART NUMBER A00-108-220-450

DRAWING NUMBER ISSUE

A00-108-220-450

2