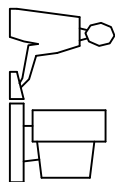
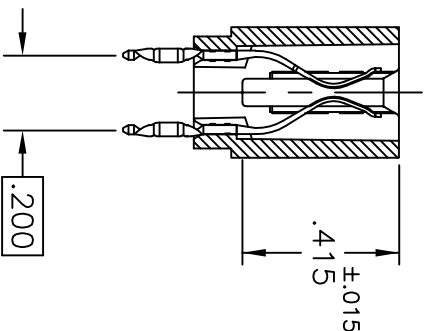
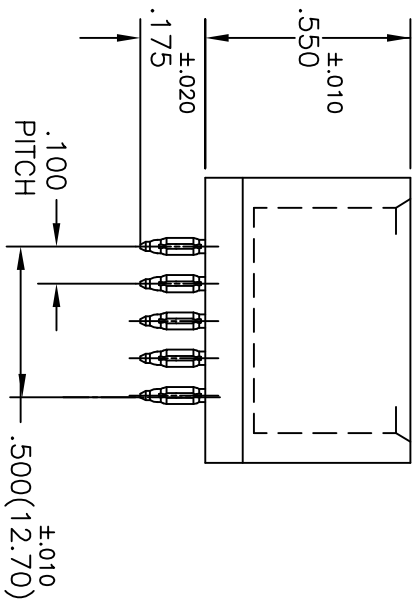
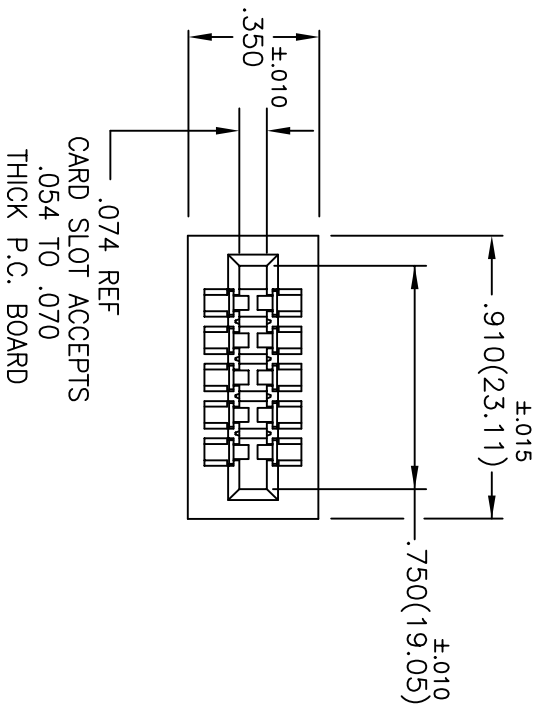


THIS IS A C.A.D. GENERATED DRAWING
DO NOT MAKE MANUAL REVISIONS TO MASTER.



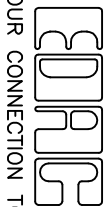
ISSUE NUMBER
ORIGINAL

①



- NOTES
- 1) CONTACT MATERIAL: PHOSPHOR BRONZE, ALLOY CA 5191
 - 2) STANDARD CONTACT PLATING: NICKEL UNDERPLATE FOLLOWED BY 30 MICRONS OF GOLD ON THE CONTACT MATING AREA AND TIN PLATING ON THE CONTACT TAIL AND COMPLIANT SECTION.
 - 3) INSULATOR MATERIAL: SOLVENT RESISTANT THERMOPLASTIC POLYESTER, FLAMMABILITY RATING: UL 94V-0, COLOR: BLACK.
 - 4) FOR ADDITIONAL INFORMATION REFER TO EDAC CATALOG.

725 SERIES PRESS FIT CONTACTS
CONNECTOR P/N 725-010-520-201



EDAC INC
TORONTO, ONTARIO
CANADA

THESE DRAWINGS AND SPECIFICATIONS
ARE THE PROPERTY OF EDAC INC. AND
SHALL NOT BE REPRODUCED OR COPIED
OR USED AS THE BASIS FOR THE
MANUFACTURE OR SALE OF APPARATUS
WITHOUT WRITTEN PERMISSION.

ACAD REFERENCE NO.	725-010-520-201
DRAWN: JLEE	DATE: JULY 29/09
CHECKED:	DATE:
SCALE: N.T.S.	SHEET 1 OF 1
DRAWING NUMBER	725-010-520-201
	ISSUE 1

YOUR CONNECTION TO QUALITY & SERVICE