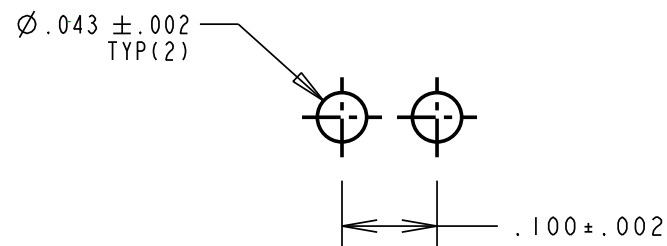
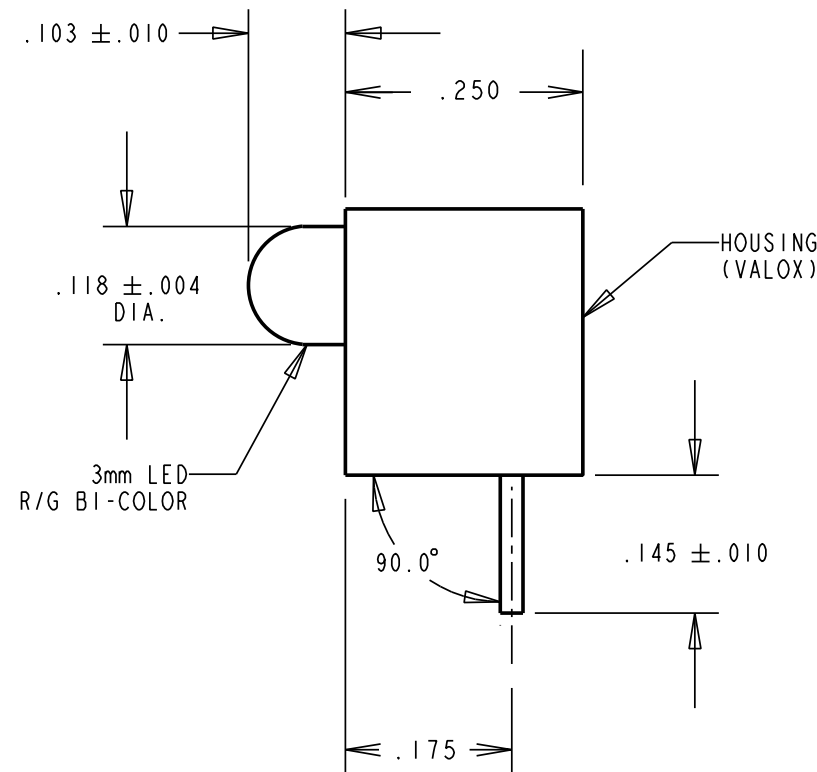
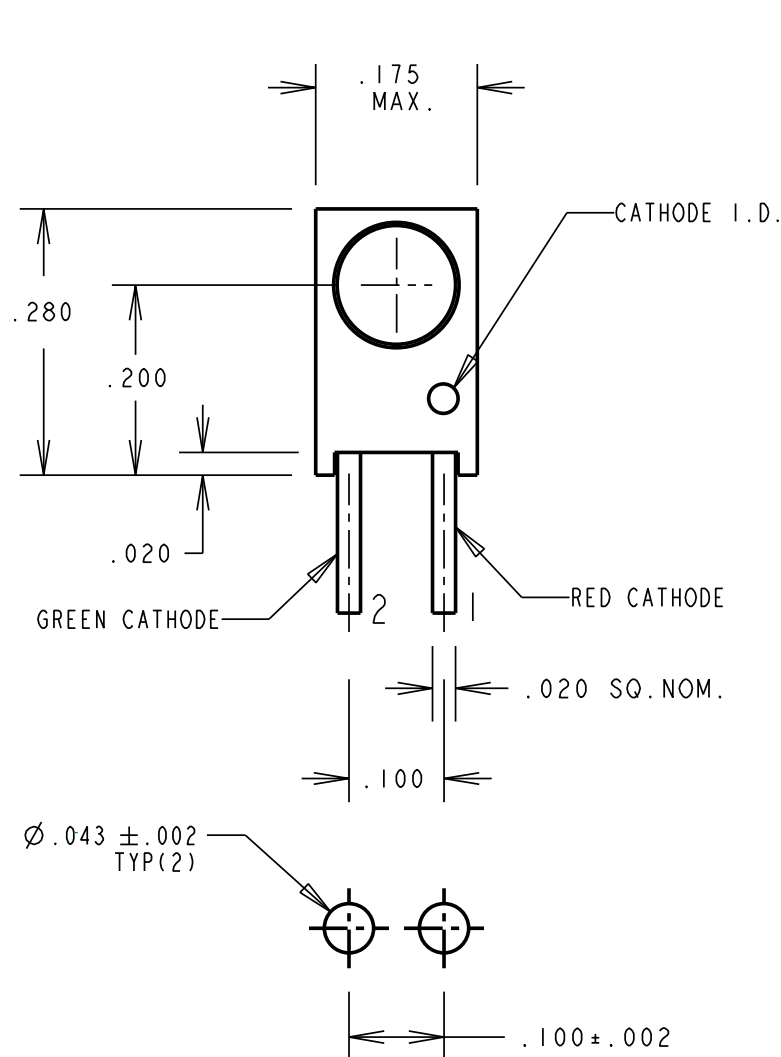
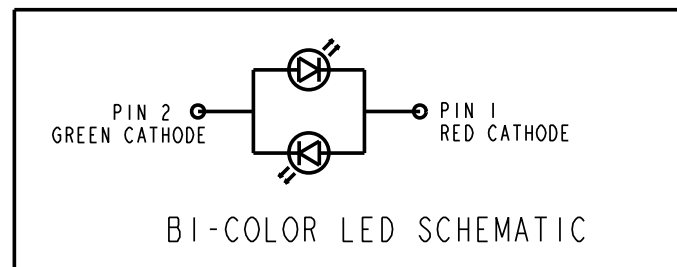


REV	ECN NO	REVISIONS	DRN	CKD	APP	DATE
A	—	NEW RELEASE	TWC	TC	N.O.	9-15-05
B	—	551-3007F RoHS NOTE EXAMPLE P/N WAS 553-3007F	TWC			



RECOMMENDED P.C.B. HOLE PATTERN



BI-COLOR LED SCHEMATIC

LED COLOR = RED/GREEN BI-COLOR						
OPERATING CHARACTERISTICS AT 25°C AMBIENT						
CHARACTERISTICS	COLOR	MIN	TYP	MAX	UNITS	TEST CONDITIONS
LUMINOUS INTENSITY	RED	2.5	4.7		mcd	$I_F = 10 \text{ mA}$
	GREEN	3.7	10.0			
FORWARD VOLTAGE	RED		2.0	2.8	V	$I_F = 20 \text{ mA}$
	GREEN		2.1	2.8		
REVERSE CURRENT	ALL			100	μA	$V_R = 5 \text{ V}$
PEAK WAVELENGTH	RED		635		nm	$I_F = 20 \text{ mA}$
	GREEN		565			
VIEWING ANGLE	ALL		60		Degree	$I_F = 20 \text{ mA}$


ABSOLUTE MAXIMUM RATING AT 25°C AMBIENT		UNITS	R/G BI-COLOR
POWER DISSIPATION		mW	100
DERATE LINEARLY FROM 25°C		$\text{mA}/^\circ\text{C}$	0.40
CONTINUOUS FORWARD CURRENT		mA	30
PEAK FORWARD CURRENT (10 ms PULSE WIDTH 1/10 DUTY)		mA	120
PEAK REVERSE VOLTAGE		V	5
LEAD SOLDERING TEMPERATURE, 6 SEC., 1/16" FROM BASE		$^\circ\text{C}$	260
OPERATING TEMPERATURE		$^\circ\text{C}$	-55 TO 100
STORAGE TEMPERATURE		$^\circ\text{C}$	-55 TO 100

RoHS Compliant 551-3007F Thru hole CBI

Part Numbers with the "F" suffix ending are RoHS Compliant.
 Example: 551-3007F
 The bag packaging is marked with "RoHS Compliant" label or equivalent markings.
 Parts can be wave soldered, dip soldered or hand soldered using typical lead-free soldering process with max 260°C temp. for 5 sec.

NOTES:

- LEADS TO FIT INTO HOLE PATTERN SPACED AS SHOWN.
- LED LEADS ARE TIN (Sn) PLATED OVER NICKEL (Ni) ON COPPER ALLOY (Cu).
- LED LEAD DIMENSIONS SHOWN ARE MEASURED AT HOUSING EXIT.
- PIN NUMBERS FOR REFERENCE ONLY, DESIGNATION NON-EXISTENT ON PARTS.
- DIALIGHT PART NUMBER: 551-3007F.

THIS DRAWING AND THE CONTENTS HEREIN ARE CONFIDENTIAL AND THE SOLE PROPERTY OF DIALIGHT. REPRODUCTION OF THIS DRAWING OR CONSTRUCTION OF ANY PARTS WITHIN THIS DRAWING ARE FORBIDDEN WITHOUT THE WRITTEN CONSENT OF DIALIGHT.		
SCALE: DRAWING SCALE ALL DIM'S IN: INCHES (MM)	DRAWING NUMBER C-17307	REV B
TOLERANCES: UNLESS OTHERWISE SPECIFIED FRACTIONS: ±1/64 DECIMALS (.XX): ±.01 DECIMALS (.XXX): ±.005 DECIMALS (.XXXX): ±.0005 ANGLES: ±1°	TITLE 3mm CBI R/G BI-COLOR .200 HIGH CENTERLINE, RoHS COMPLIANT	
FINISH:	MATERIAL	
FSCM 83330	 1501 ROUTE 34 SOUTH FARMINGDALE, NJ 07727	
	SHEET 11 OF 11	FAMILY TABLE: