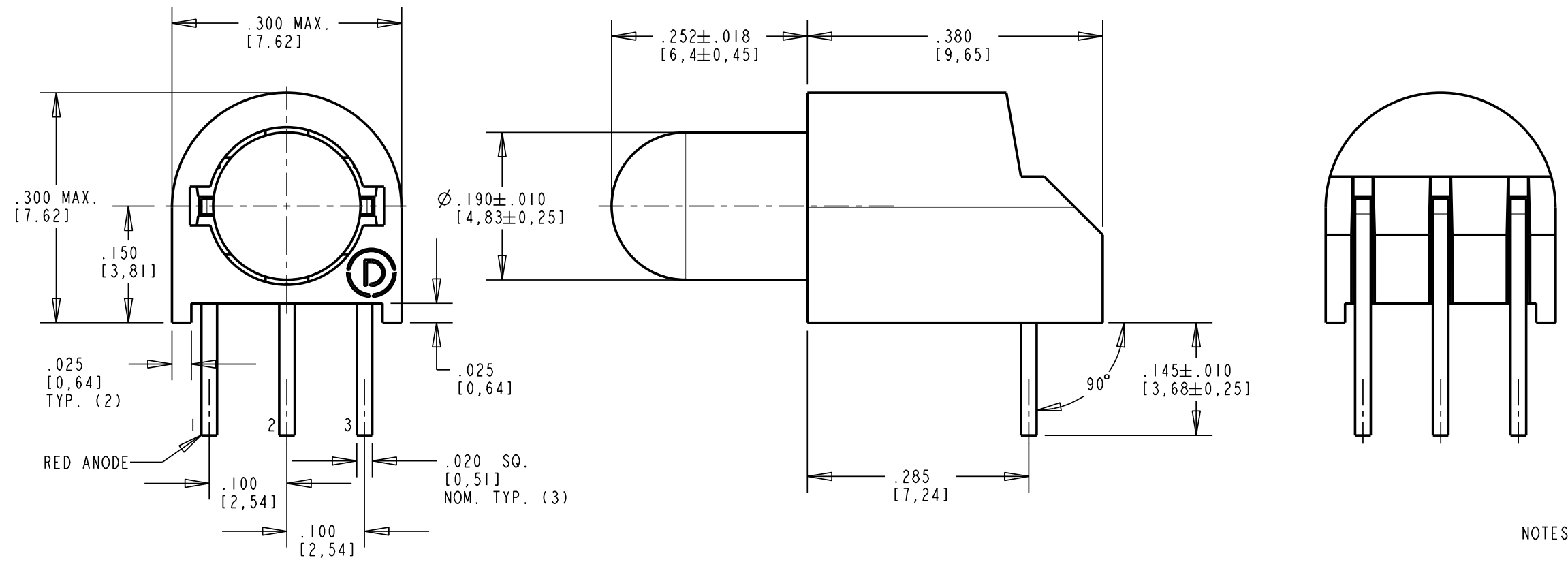


DIALIGHT PART NO.	COLOR
550-3509	RED/GREEN
550-3509F	RED/GREEN

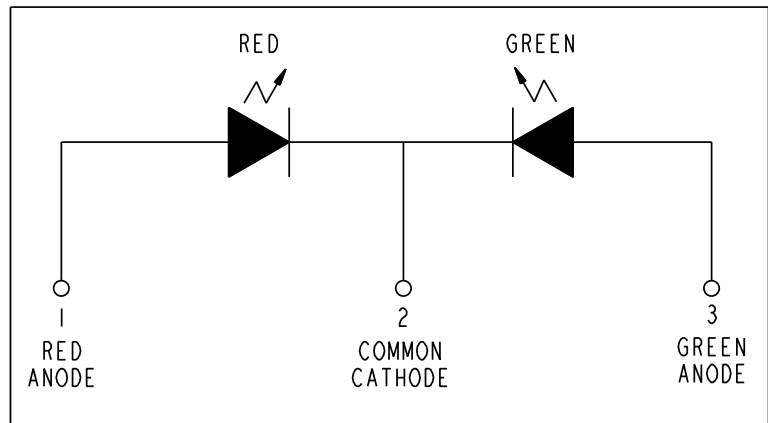
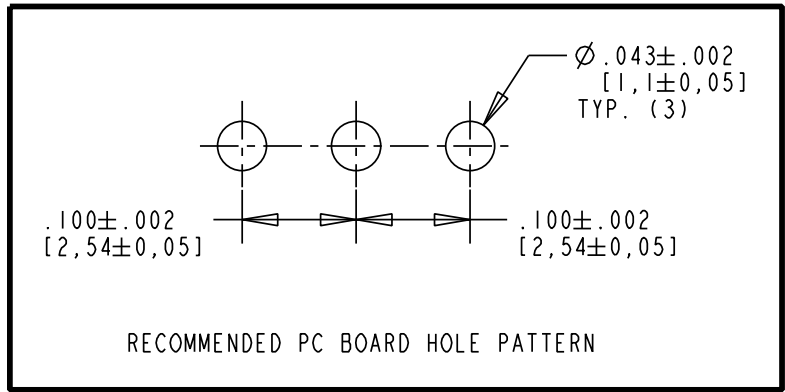
REV.	ECN NO.	REVISIONS	DRN.	CKD.	APP.	DATE
A	---	NEW RELEASE	---	---	N.O.	1-12-93
B	---	UPDATED LED SPEC.	YIS	JMC	Y.C.	3-26-03
C	---	ADDED P/N 550-3509F, RoHS COMPLIANT, UPDATED FORMAT & NOTES; CORRECTED LED TABLES; ADDED FAMILY PART TABLE	TWC			

LED CHARACTERISTICS	COLOR	MIN.	TYP.	MAX.	UNITS	TEST CONDITIONS
LUMINOUS INTENSITY	RED	2.1	5.0		mcd	I _f = 10 mA
	GREEN	4.2	8.0			
FORWARD VOLTAGE	RED		2.1	2.5	V	I _f = 10 mA
	GREEN		2.3	2.7		
REVERSE VOLTAGE	RED	5.0			V	I _r = 100 μA
	GREEN	5.0				
PEAK WAVELENGTH	RED		635		nm	
	GREEN		565			
DOMINANT WAVELENGTH	RED	617.5	626	632	nm	
	GREEN	564	569	577		
VIEWING ANGLE 2θ 1/2	RED		65.0		DEG.	I _f = 10 mA
	GREEN		65.0			

ABSOLUTE MAXIMUM RATINGS	RED	GREEN	UNITS
POWER DISSIPATION	135		mW
AVERAGE FORWARD CURRENT	25		mA
PEAK FORWARD CURRENT	90		mA
TRANSIENT FORWARD CURRENT (10 μs PULSE)	500		mA
LEAD SOLDERING TEMPERATURE FOR 5 SEC.	260		°C
OPERATING TEMPERATURE	-20 TO +85		°C
STORAGE TEMPERATURE	-55 TO +100		°C



NOTES:
 1. PRODUCT P/N WITH "F" SUFFIX ENDING IS RoHS COMPLIANT. DIALIGHT P/N 550-3509F LED LEADS ARE PLATED TIN (Sn), SILVER (Ag) COPPER (Cu).



THIS DRAWING AND THE CONTENTS HEREIN ARE CONFIDENTIAL AND THE SOLE PROPERTY OF DIALIGHT. REPRODUCTION OF THIS DRAWING OR CONSTRUCTION OF ANY PARTS WITHIN THIS DRAWING ARE FORBIDDEN WITHOUT THE WRITTEN CONSENT OF DIALIGHT.

SCALE: 6.000 ALL DIM'S IN: INCHES (MM)	DRAWING NUMBER C-15734	REV C
TOLERANCES: UNLESS OTHERWISE SPECIFIED FRACTIONS: ±1/64 DECIMALS (.XX): ±.01 DECIMALS (.XXX): ±.005 DECIMALS (.XXXX): ±.0005 ANGLES: ±1°	TITLE 5mm BI-COLOR CBI 3 LEADED R/G	
FINISH:	MATERIAL	
FSCM 83330	1501 ROUTE 34 SOUTH FARMINGDALE, NJ 07727	
	SHEET 1 OF 1	FAMILY TABLE: