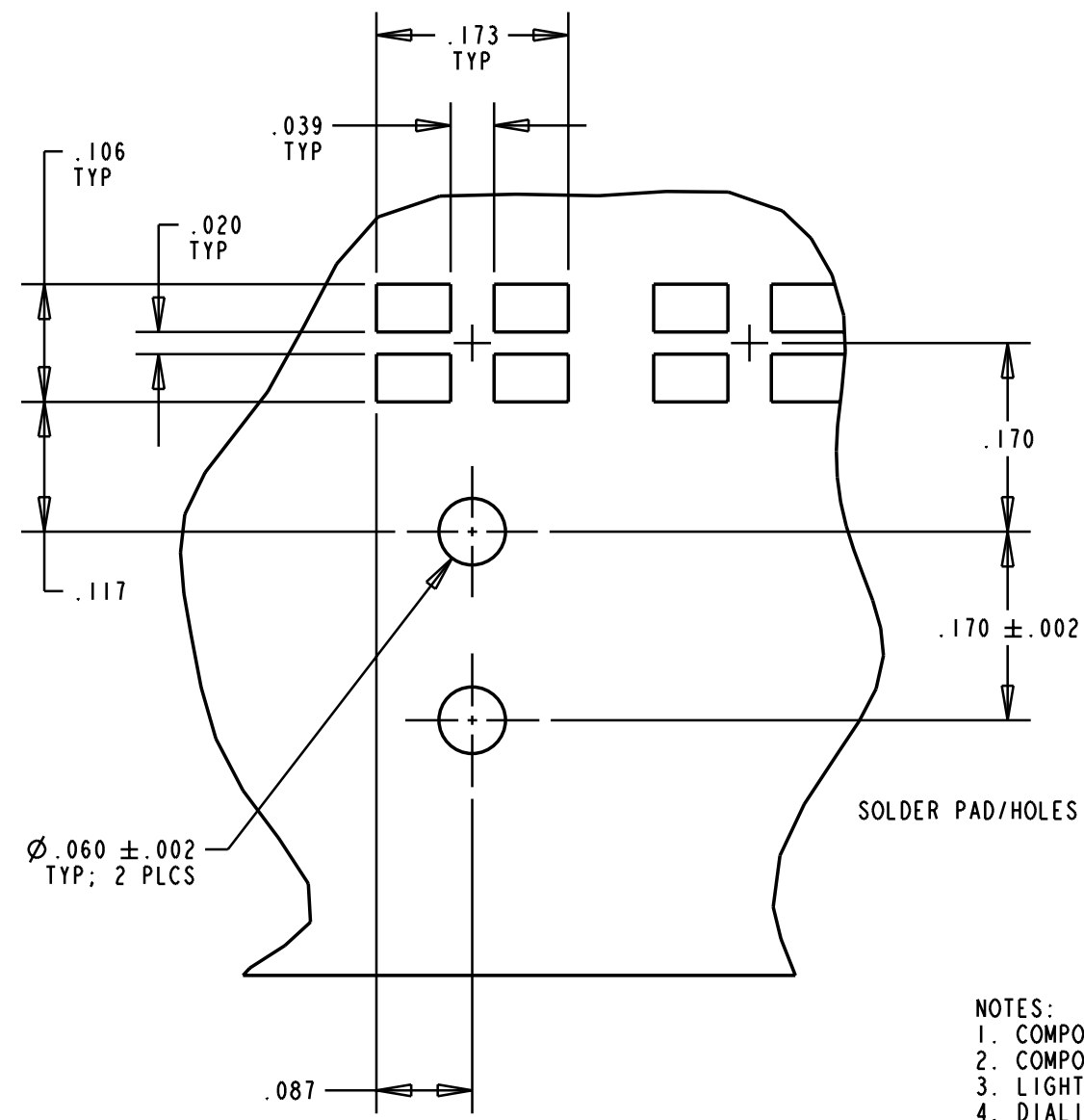
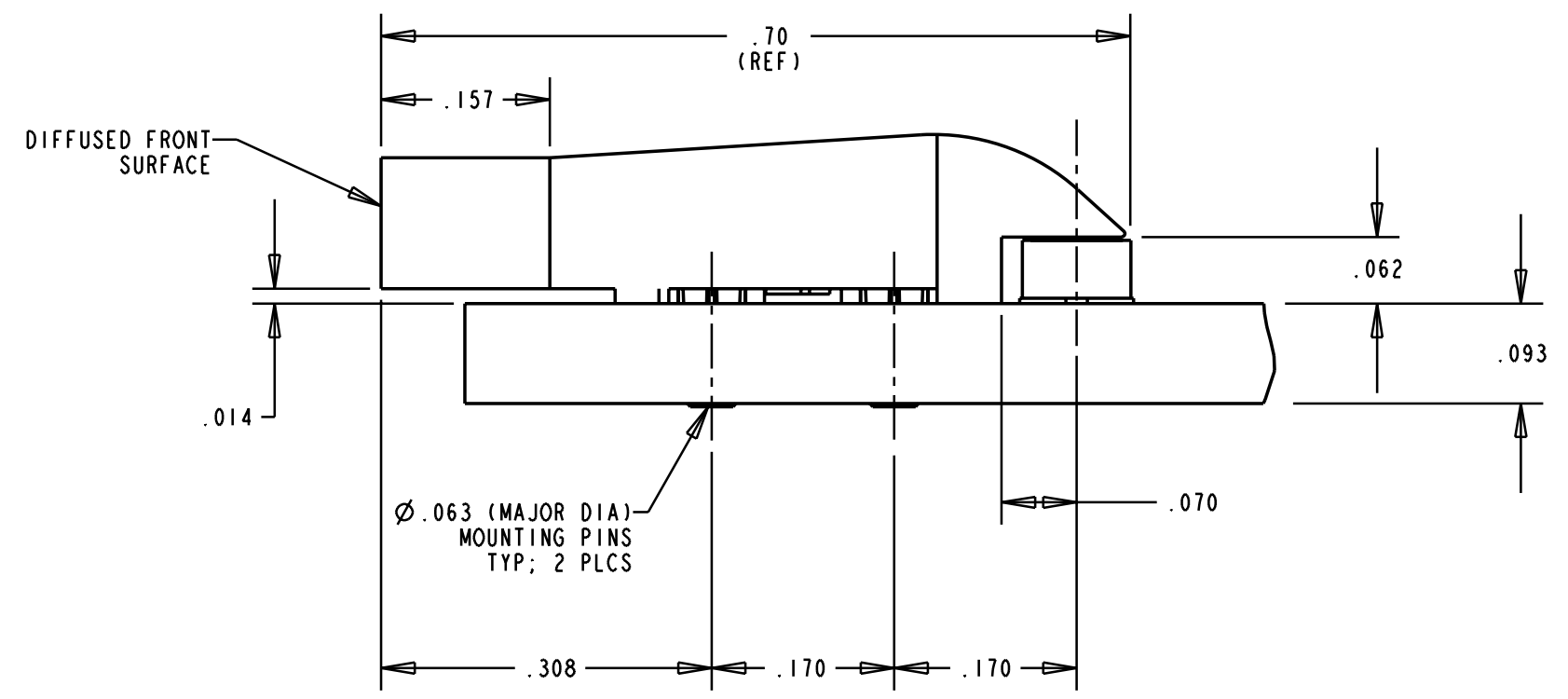
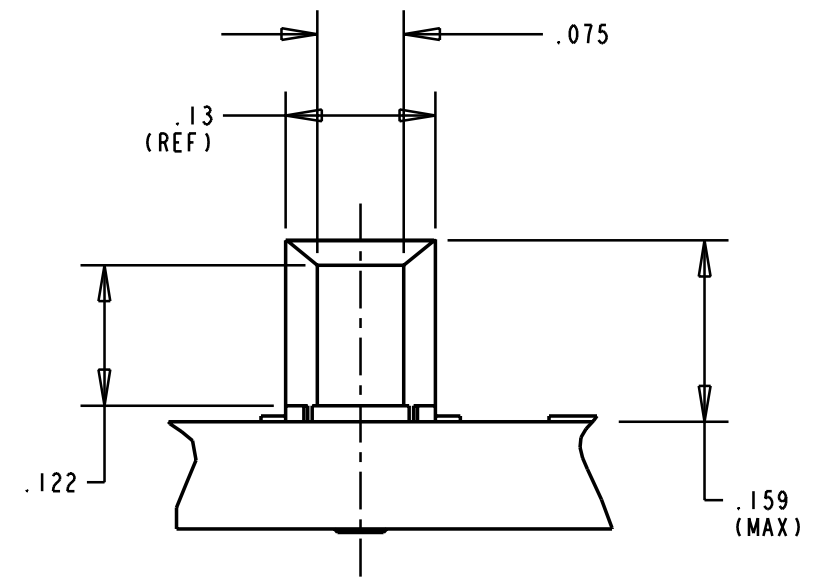
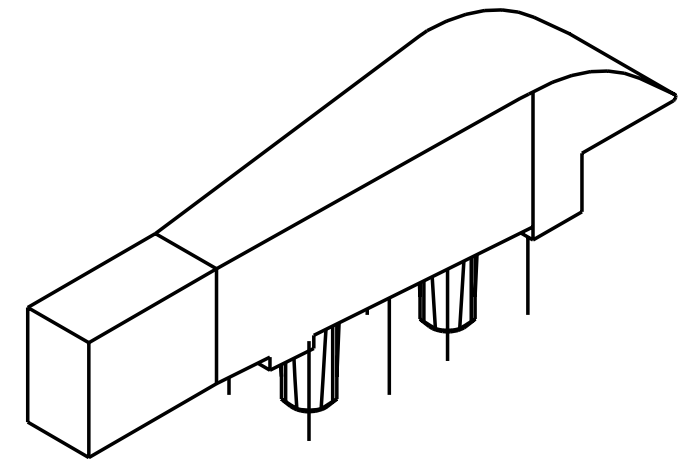


REV.	ECN NO.	REVISIONS	DRN.	CKD.	APP.	DATE
A		NEW RELEASE	M.C.			



SOLDER PAD/HOLES LAYOUT



- NOTES:
1. COMPONENT TO BE MOLDED IN A CLEAR TRANSMISSIVE POLYCARBONATE.
  2. COMPONENT TO BE PRESSED INTO A .093" THICK P.C. BOARD.
  3. LIGHTSOURCE: SINGLE OR BICOLOR SMT LED (DIALIGHT SERIES PART NUMBER: 597-XXXX-507).
  4. DIALIGHT LIGHTPIPE PART NUMBER: 515-1105.
  5. CUSTOMER PART NUMBER (REF): 700-06777-01.

THIS DRAWING AND THE CONTENTS HEREIN ARE CONFIDENTIAL AND THE SOLE PROPERTY OF DIALIGHT. REPRODUCTION OF THIS DRAWING OR CONSTRUCTION OF ANY PARTS WITHIN THIS DRAWING ARE FORBIDDEN WITHOUT THE WRITTEN CONSENT OF DIALIGHT.		
SCALE 6:1	DRAWING NUMBER	REV
ALL DIM'S IN: INCHES	C-16653	A
TOLERANCES: UNLESS OTHERWISE SPECIFIED	TITLE	
FRACTIONS: $\pm 1/64$	SINGLE-ELEMENT LIGHTPIPE	
DECIMALS (.XX): $\pm .02$	MATERIAL	
DECIMALS (.XXX): $\pm .015$	Dialight	
DECIMALS (.XXXX): $\pm .0005$	1913 ATLANTIC AVE.	
ANGLES: $\pm 3^\circ$	MANASQUAN, N.J. 08736	
FINISH:	SHEET	OF
FSCM 83330	FAMILY TABLE:	