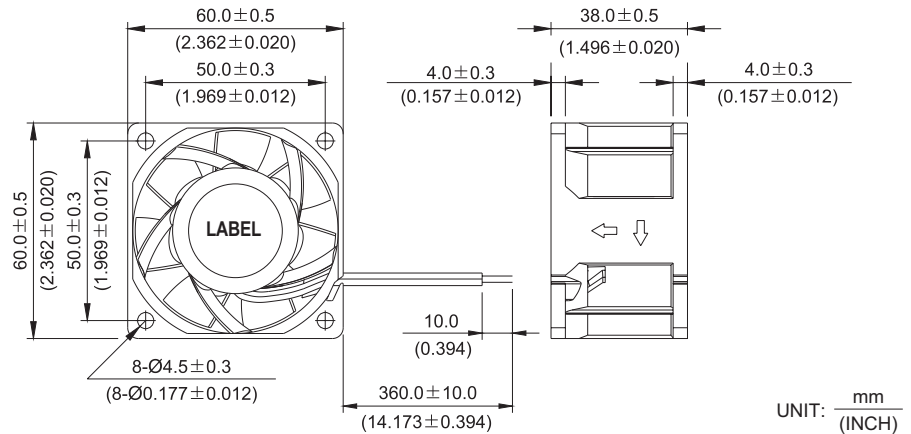


New



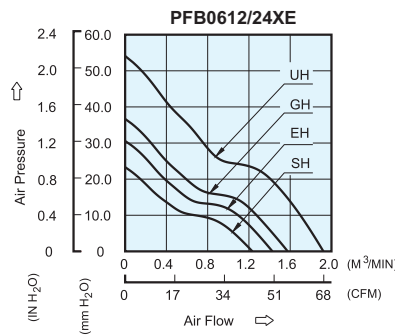
PFB 60 x 60 x 38 MM SERIES

■ DIMENSIONS DRAWING

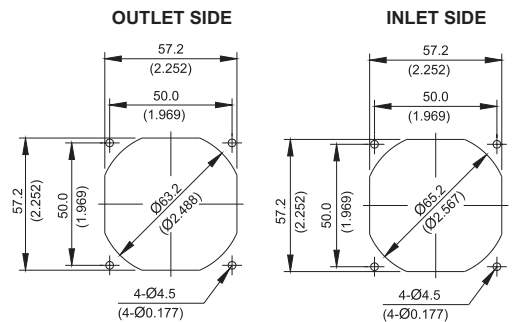


- * Bearing Type
Ball Bearings
- * Material
Impeller & Frame : Plastic (UL 94V-0)
- * Lead Wires :
UL 1007 AWG #24 OR Equivalent
Red Wire Positive (+)
Black Wire Negative (-)
- * Weight : 130g (4.59 oz)

■ P & Q CURVE (AT RATED VOLTAGE)



■ MOUNTING PANEL CUTOUT



MODEL		Rated Voltage	Operating Voltage Range	Input Current	Input Power	Speed	Maximum Air Flow		Maximum Air Pressure		Noise
PART NO.	FUNCTION	VDC	VDC	Amp	Watt	R.P.M.	m ³ / min	CFM	mmH ₂ O	IN H ₂ O	dB-A
PFB0612SHE	-R00 / -F00	12	7.0 to 13.2	0.48	5.76	8000	1.234	43.57	23.32	0.918	50.5
PFB0624SHE	-R00 / -F00	24	14.0 to 26.4	0.28	6.72						
PFB0612EHE	-R00 / -F00	12	7.0 to 13.2	0.63	7.56	9000	1.428	50.43	30.56	1.203	54.0
PFB0624EHE	-R00 / -F00	24	14.0 to 26.4	0.36	8.64						
PFB0612GHE	-R00 / -F00	12	7.0 to 13.2	0.85	10.20	10000	1.575	55.62	36.68	1.444	57.5
PFB0624GHE	-R00 / -F00	24	14.0 to 26.4	0.48	11.52						
PFB0612UHE	-R00 / -F00	12	7.0 to 13.2	1.40	16.80	12000	1.922	67.85	54.10	2.129	61.5

* Function type is optional.
 * The max. air flow and the speed are measured in free air ; max. air pressure is measured at zero air flow.
 * Noise is measured in anechoic chamber in free air, one meter from intake side.
 * All readings are typical values at rated voltage.
 * Specifications are subject to change without notice.