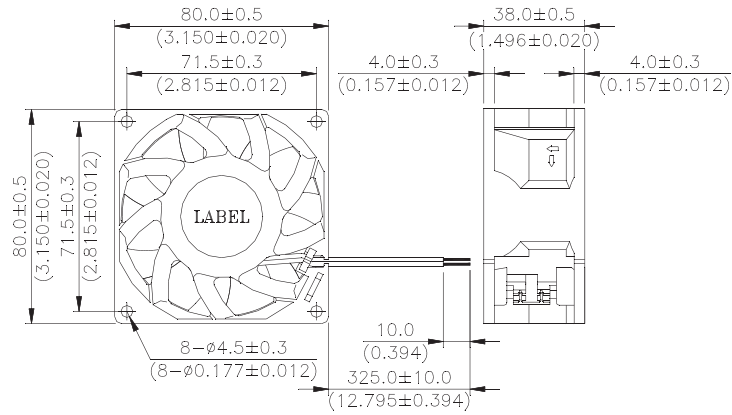
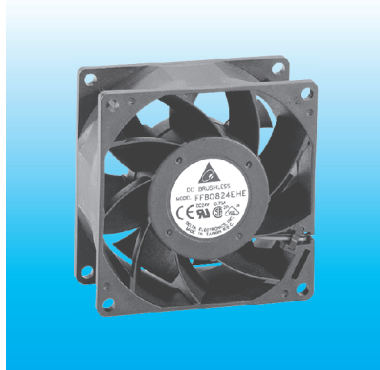


FFB 80 x 80 x 38 MM SERIES

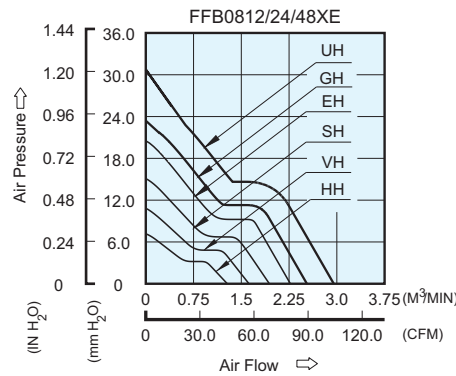
DIMENSIONS DRAWING



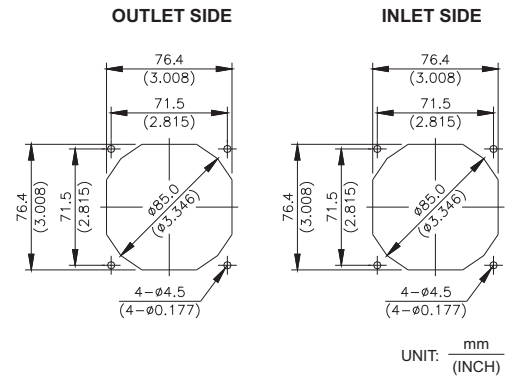
UNIT: mm
(INCH)

- * Bearing Type
Ball Bearings
- * Material
Impeller & Frame : Plastic (UL 94V-0)
- * Lead Wires :
UL 1007 AWG #24 OR Equivalent
Red Wire Positive (+)
Black Wire Negative (-)
- * Weight : 170g (6.00 oz)

P & Q CURVE (AT RATED VOLTAGE)



MOUNTING PANEL CUTOUT



UNIT: mm
(INCH)

| MODEL | | Rated Voltage | Operating Voltage Range | Input Current | Input Power | Speed | Maximum Air Flow | | Maximum Air Pressure | | Noise |
|------------|-------------|---------------|-------------------------|---------------|-------------|--------|---------------------|-------|----------------------|---------------------|-------|
| PART NO. | FUNCTION | VDC | VDC | Amp | Watt | R.P.M. | m ³ /min | CFM | mmH ₂ O | IN H ₂ O | dB-A |
| FFB0812HHE | -R00 / -F00 | 12 | 7.0 to 13.8 | 0.20 | 2.40 | 3400 | 1.280 | 45.20 | 7.13 | 0.281 | 39.0 |
| FFB0824HHE | -R00 / -F00 | 24 | 14.0 to 27.6 | 0.15 | 3.60 | | | | | | |
| FFB0848HHE | -R00 / -F00 | 48 | 28.0 to 56.0 | 0.08 | 3.84 | | | | | | |
| FFB0812VHE | -R00 / -F00 | 12 | 7.0 to 13.8 | 0.38 | 4.56 | 4200 | 1.620 | 57.21 | 10.77 | 0.424 | 44.5 |
| FFB0824VHE | -R00 / -F00 | 24 | 14.0 to 27.6 | 0.24 | 5.76 | | | | | | |
| FFB0848VHE | -R00 / -F00 | 48 | 28.0 to 56.0 | 0.11 | 5.28 | | | | | | |
| FFB0812SHE | -R00 / -F00 | 12 | 7.0 to 13.8 | 0.58 | 6.96 | 4900 | 1.940 | 68.51 | 15.01 | 0.591 | 48.5 |
| FFB0824SHE | -R00 / -F00 | 24 | 14.0 to 27.6 | 0.34 | 8.16 | | | | | | |
| FFB0848SHE | -R00 / -F00 | 48 | 28.0 to 56.0 | 0.16 | 7.68 | | | | | | |
| FFB0812EHE | -R00 / -F00 | 12 | 7.0 to 13.8 | 0.90 | 10.80 | 5700 | 2.270 | 80.16 | 20.63 | 0.812 | 52.5 |
| FFB0824EHE | -R00 / -F00 | 24 | 14.0 to 26.4 | 0.50 | 12.00 | | | | | | |
| FFB0812GHE | -R00 / -F00 | 12 | 7.0 to 13.2 | 1.15 | 13.80 | 6600 | 2.547 | 89.95 | 23.44 | 0.922 | 59.8 |
| FFB0812UHE | -R00 / -F00 | 12 | 7.0 to 13.2 | 1.50 | 18.00 | | | | | | |

* Function type is optional.
 * The max. air flow and the speed are measured in free air ; max. air pressure is measured at zero air flow.
 * Noise is measured in anechoic chamber in free air, one meter from intake side.
 * All readings are typical values at rated voltage.
 * Specifications are subject to change without notice.