



# LUMILEDS™ LUXEON® REBEL 11MM OPTIC



## FEATURES / BENEFITS

- ▲ Only 11.5mm maximum diameter
- ▲ Ideal for high packing density of LUXEON Rebel LEDs
- ▲ Adhesive backing for easy installation. Adhesive rated from -40°C to +120°C
- ▲ Automatic alignment feature
- ▲ Spot & wide versions available
- ▲ Adhesive is approved to ESK-M3G162, WSK-3G184-A4 (Ford motor) & RES22LA06 type 2 (Rover)

## MECHANICAL DIMENSIONS

7° "Spot" model  
 11.5mm (0.453") top diameter  
 11.0mm (0.433") base diameter  
 9.8mm (0.249") height

13° "Wide" model  
 <11mm (0.433") top diameter  
 11mm (0.433") base diameter  
 3.6mm (0.142") height

## APPLICATIONS

Ideal for use with the new LUXEON Rebel LEDs in any application, particularly those where LEDs need to be spaced very closely together.

- ▲ Spot lighting
- ▲ Flood lighting
- ▲ Accent lighting
- ▲ RGB color mixing

## ORDERING INFORMATION

| BASE LENSES                          |                        |         |
|--------------------------------------|------------------------|---------|
| Dialight P/N                         | Description            | Degree* |
| OPC1-1-COL                           | 7 degree "spot" model  | 7°      |
| OPC1-2-COL                           | 13 degree "wide" model | 13°     |
| *All angles refer to half divergence |                        |         |

Dialight reserves the right to make changes at any time in order to supply the best product possible.

### Dialight Lumidrives

York House • Weatherby Road • Long Marston, York, YO26 7NH  
 Tel: 0845 6346161 • Fax: 0845 6346160 • www.dialight.com



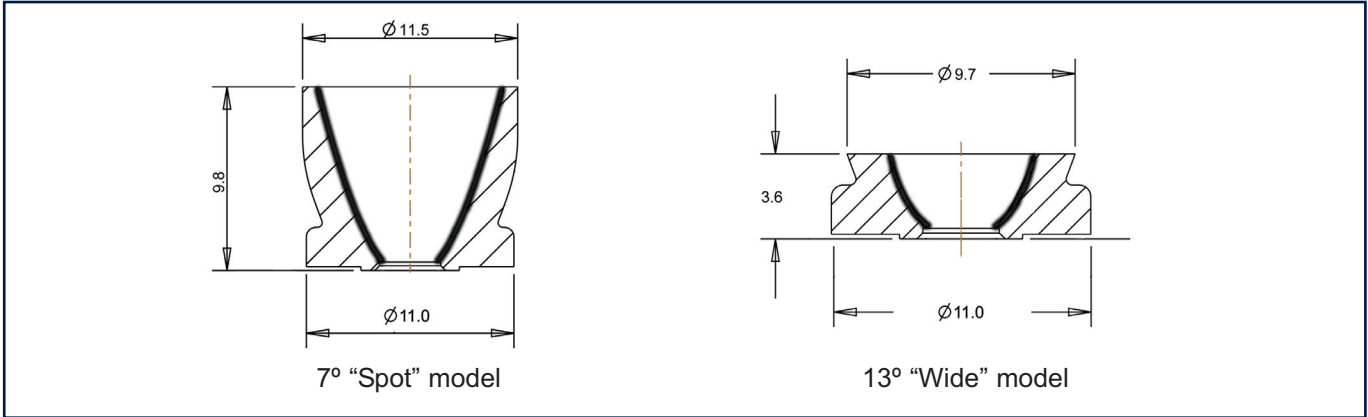
### Dialight Corporation

1501 Route 34 South • Farmingdale, NJ 07727 USA  
 Tel: (1) 732-919-3119 • Fax: (1) 732-751-5778 • www.dialight.com

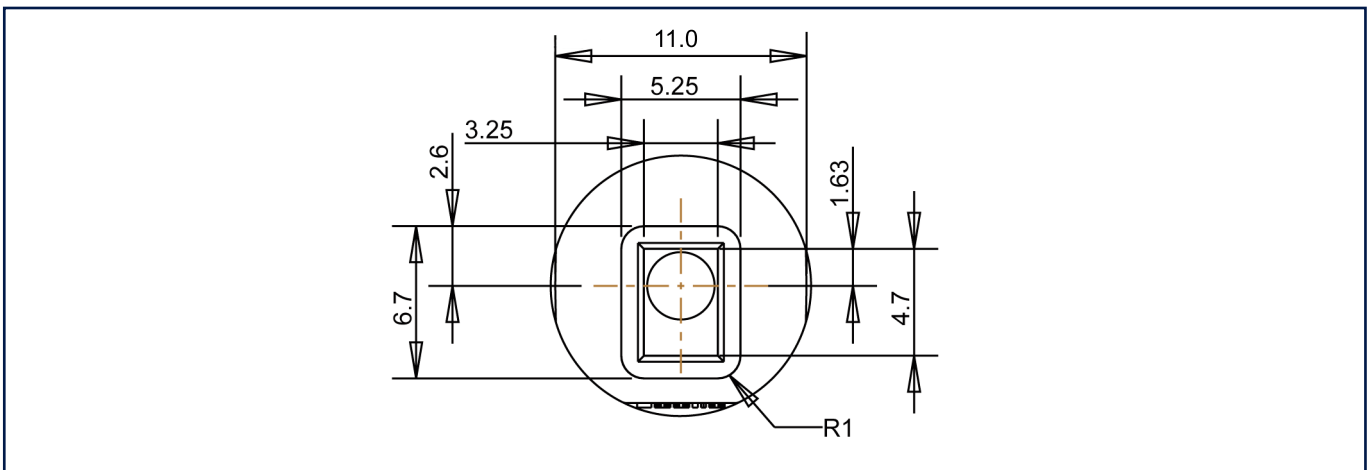


MDEXLUMREB10MM\_B

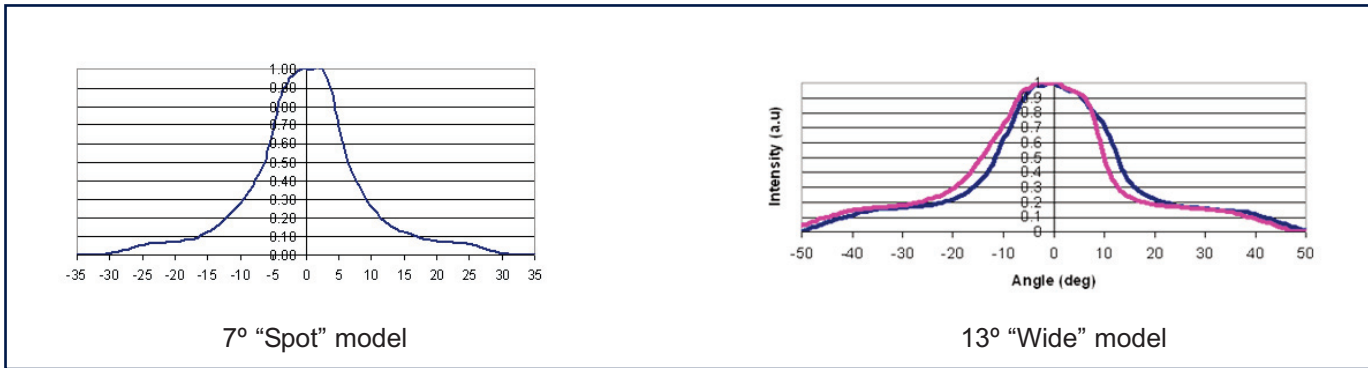
## MECHANICAL DIMENSIONS



## PCB ALIGNMENT DIMENSION DETAILS



## PHOTOMETRIC DATA



Consult factory for IES files

Dialight reserves the right to make changes at any time in order to supply the best product possible.

### Dialight Lumidrives

York House • Weatherby Road • Long Marston, York, YO26 7NH

Tel: 0845 6346161 • Fax: 0845 6346160 • www.dialight.com



### Dialight Corporation

1501 Route 34 South • Farmingdale, NJ 07727 USA

Tel: (1) 732-919-3119 • Fax: (1) 732-751-5778 • www.dialight.com



MDEXLUMREB10MM\_B