

PART NUMBER	LED COLOR	DIM "A"	REVISIONS			
			REV	ECN No	DRN	DATE
550-0001-866F	RED	.250±.020	A	---	TWC	5-25-06
550-0001-867F	GREEN	.250±.020	A	---	TWC	5-25-06
550-0001-868F	YELLOW	.250±.020	A	---	TWC	5-25-06
550-0001-876F	BLUE	.230±.015	A	---	TWC	5-25-06
550-0001-878F	WHITE	.230±.015	A	---	TWC	5-25-06

REV	ECN NO	REVISIONS	DRN	CKD	APP	DATE
A	---	NEW RELEASE	TWC			

LED CHARACTERISTICS	COLOR	MIN.	TYP.	MAX.	UNITS	TEST CONDITIONS
LUMINOUS INTENSITY	RED	5.4	7.0	17.2	mcd	I <sub>f</sub> = 10mA
	YELLOW	5.7	8.0	18.4		
	GREEN	4.2	12.7	21.2		
FORWARD VOLTAGE	RED	1.9	2.4		V	I <sub>f</sub> = 10mA
	YELLOW	2.0	2.4			
	GREEN	2.1	2.7			
REVERSE VOLTAGE	RED	5.0			V	I <sub>r</sub> = 100µA
	YELLOW					
	GREEN					
PEAK WAVELENGTH	RED	635			nm	
	YELLOW	583				
	GREEN	565				
DOMINANT WAVELENGTH	RED	626			nm	
	YELLOW	585				
	GREEN	569				
VIEWING ANGLE (2θ 1/2)	RED	60			DEG.	I <sub>f</sub> = 10mA
	YELLOW	60				
	GREEN	60				
SPEED OF RESPONSE	RED	90			ns	
	YELLOW	90				
	GREEN	500				

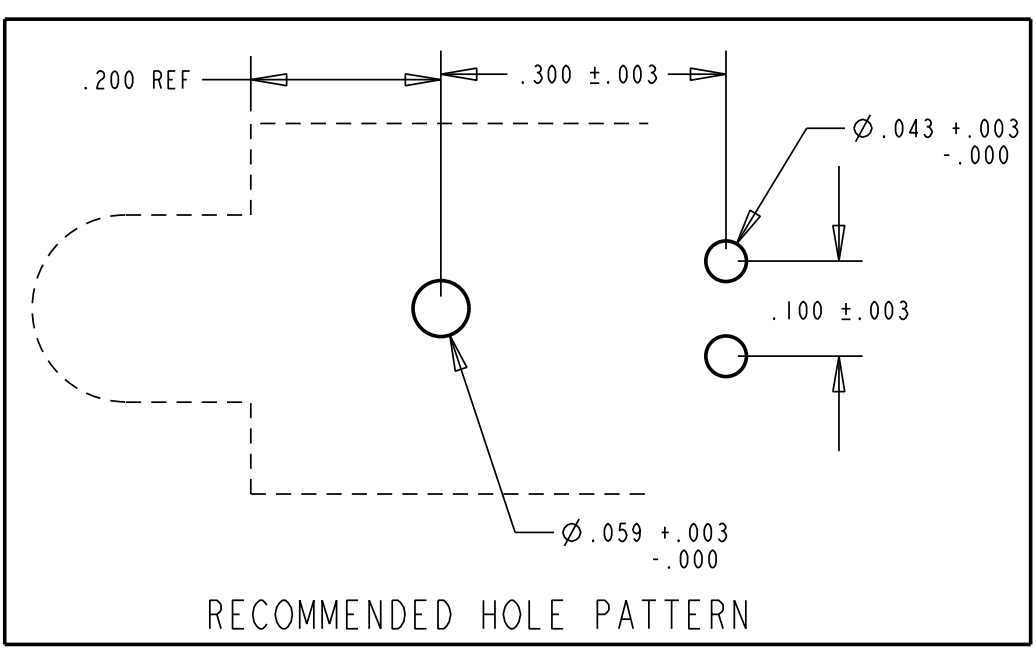
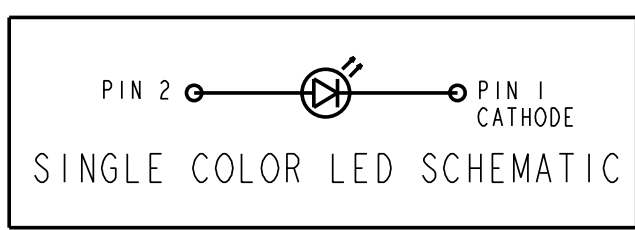
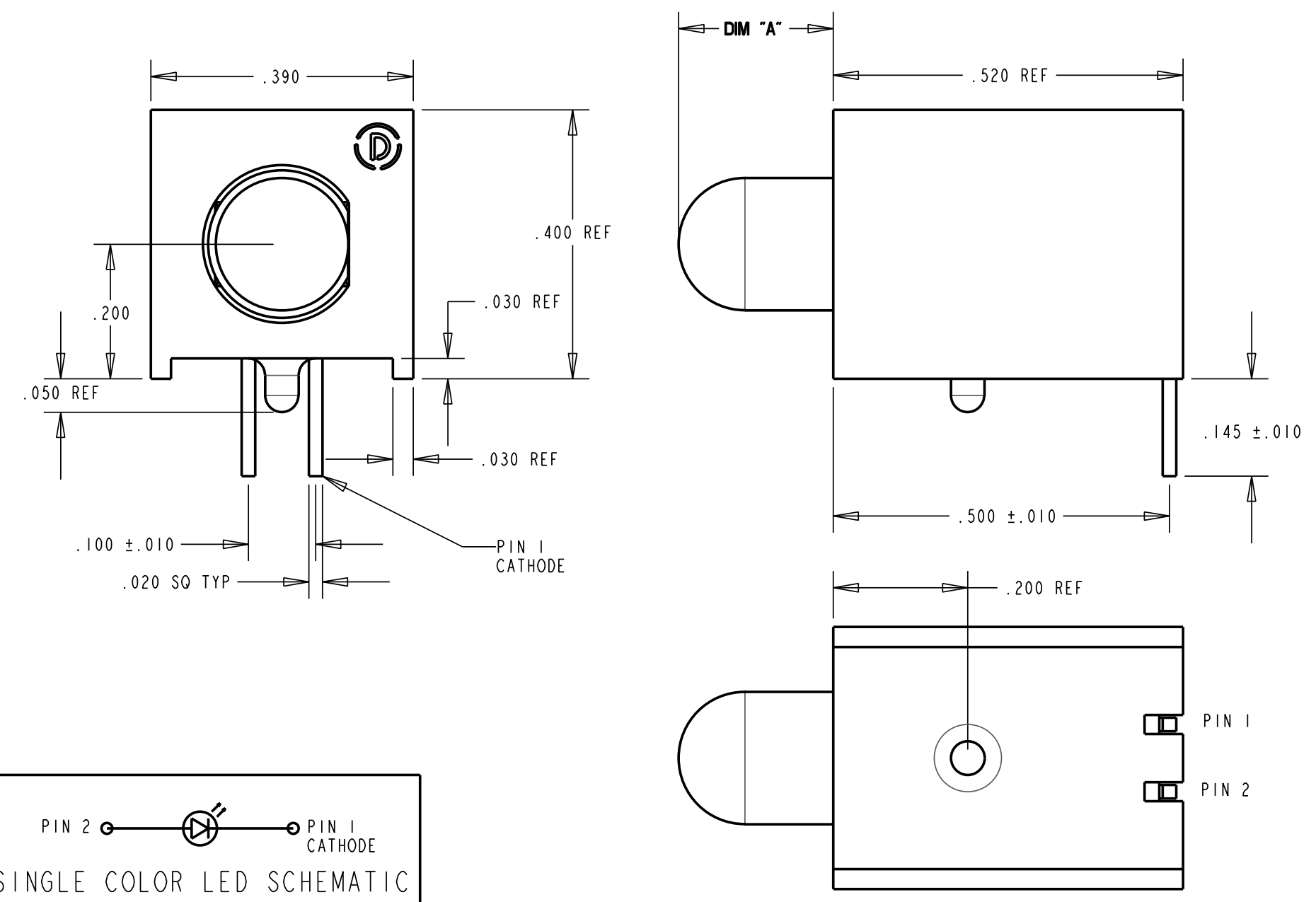
ABSOLUTE MAXIMUM RATINGS	RED	YELLOW	GREEN	UNITS
POWER DISSIPATION	135	85	135	mW
DERATE LINEARLY FROM 50°C	0.5	0.2	0.5	mA/°C
DC FORWARD CURRENT	30	20	30	mA
PEAK TRANSIENT FORWARD CURRENT (10µs PULSE)	500	500	500	mA
PEAK FORWARD CURRENT	90	60	90	mA
LEAD SOLDERING TEMPERATURE FOR 5 SEC.	260			°C
OPERATING TEMPERATURE	-55 TO +100	-55 TO +100	-20 TO +100	°C
STORAGE TEMPERATURE	-55 TO +100			

LED COLOR = BLUE					
OPERATING CHARACTERISTICS AT 25°C AMBIENT					
CHARACTERISTICS	MIN	TYP	MAX	UNITS	TEST CONDITIONS
LUMINOUS INTENSITY	0.90	1.50		cd	I <sub>f</sub> = 20 mA
DC FORWARD VOLTAGE		3.6	4.0	V	I <sub>f</sub> = 20 mA
DOMINANT WAVELENGTH		470			
REVERSE CURRENT			50	µA	V <sub>R</sub> = 5 V
VIEWING ANGLE		30		Degree	

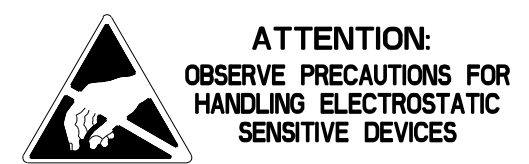
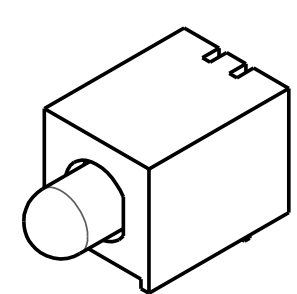
ABSOLUTE MAXIMUM RATINGS AT 25°C AMBIENT		
	BLUE	UNITS
POWER DISSIPATION	120	mW
LINEAR DERATION FROM 40°C	0.5	mA/°C
FORWARD DC CURRENT	30	mA
PEAK FORWARD CURRENT (<= 1/10 DUTY CYCLE T <sub>w</sub> <= 10 msec)	100	mA
REVERSE VOLTAGE	5	V
OPERATING TEMPERATURE	-30 TO +85	°C
STORAGE TEMPERATURE	-40 TO +100	°C
SOLDER TEMPERATURE (3.0 mm FROM CASE)	260 °C, 5 SECONDS	°C

LED COLOR = WHITE						
OPERATING CHARACTERISTICS AT 25°C AMBIENT						
CHARACTERISTICS	MIN	TYP	MAX	UNITS	TEST CONDITIONS	
LUMINOUS INTENSITY	0.90	1.56		cd	I <sub>f</sub> = 20 mA	
FORWARD VOLTAGE		3.5	4.0	V	I <sub>f</sub> = 20 mA	
REVERSE CURRENT			50	µA	V <sub>R</sub> = 5 V	
VIEWING ANGLE		50		Degree		
CHROMATICITY COORDINATE	X	0.330	0.330	0.370	I <sub>f</sub> = 20 mA	
	Y	0.320	0.365	0.420		

ABSOLUTE MAXIMUM RATING AT 25°C AMBIENT		
	WHITE	UNITS
POWER DISSIPATION	120	mW
DERATE LINEARLY FROM 40°C	0.5	mA/°C
FORWARD DC CURRENT	30	mA
PEAK FORWARD CURRENT (<= 1/10 DUTY CYCLE, T <sub>w</sub> <= 10 msec)	100	mA
REVERSE VOLTAGE	5	V
LEAD SOLDERING TEMPERATURE, 5 SEC., 3 mm FROM BODY	260	°C
OPERATING TEMPERATURE	-30 TO +85	°C
STORAGE TEMPERATURE	-40 TO +100	°C



- NOTES:
- LEADS TO FIT INTO HOLES SPACED AS PER HOLE PATTERN
  - LEADS TO BE FREE OF DEFORMATION AFTER BENDING AND CUTTING
  - LED LEAD DIMENSIONS SHOWN ARE MEASURED AT HOUSING EXIT
  - PACKAGING = BLOCKS PLACED IN AN ANTISTATIC BAG
  - DIALIGHT PART NUMBER = 550-0001-8XXF
  - THIS ASSEMBLY CONTAINS ELECTROSTATIC DISCHARGE SENSITIVE DEVICES (ESDS). MAINTAIN ALL PRECAUTIONARY MEASURES DURING ASSEMBLY, HANDLING AND STORAGE IN ACCORDANCE WITH IPC-A-610.



**RoHS Compliant 550-0001-8XXF**  
 Part Numbers with the "F" suffix ending are RoHS Compliant.  
 Example: 550-0001-866F  
 Packaging is marked with "RoHS Compliant" label or equivalent markings.  
 Parts can be wave soldered, dip soldered or hand soldered using typical lead-free soldering process with max 260°C temp. for 5 sec.

THIS DRAWING AND THE CONTENTS HEREIN ARE CONFIDENTIAL AND THE SOLE PROPERTY OF DIALIGHT. REPRODUCTION OF THIS DRAWING OR CONSTRUCTION OF ANY PARTS WITHIN THIS DRAWING ARE FORBIDDEN WITHOUT THE WRITTEN CONSENT OF DIALIGHT.		
SCALE: 5.000	DRAWING NUMBER	REV
ALL DIM'S IN: INCHES (MM)	C-17410	A
TOLERANCES: UNLESS OTHERWISE SPECIFIED	TITLE 5mm LED CBI BLOCK	
FRACTIONS: ±1/64	MATERIAL	
DECIMALS (.XX): ±.01	Dialight	
DECIMALS (.XXX): ±.005	1501 ROUTE 34 SOUTH	
DECIMALS (.XXXX): ±.0005	FARMINGDALE, NJ 07727	
ANGLES: ±1°	FSCM 83330	
FINISH:	SHEET 1 OF 1 FAMILY TABLE:	