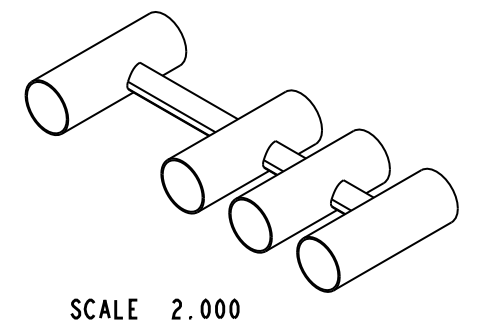
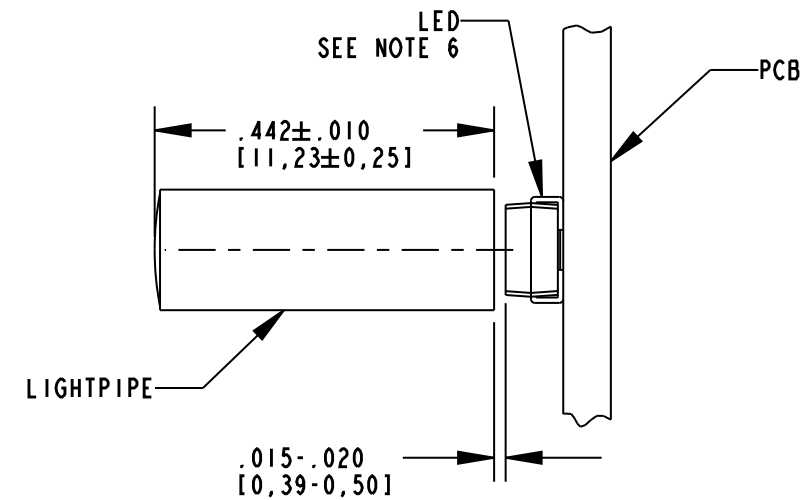
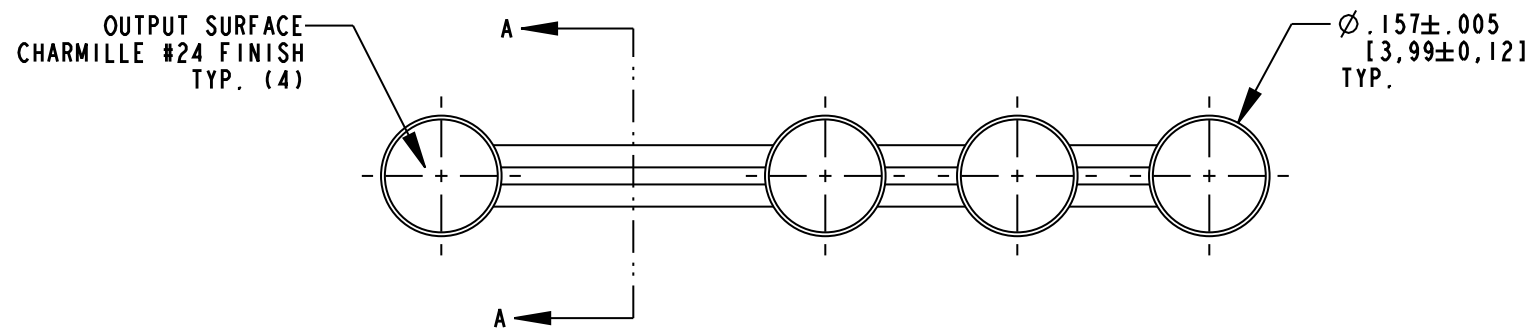
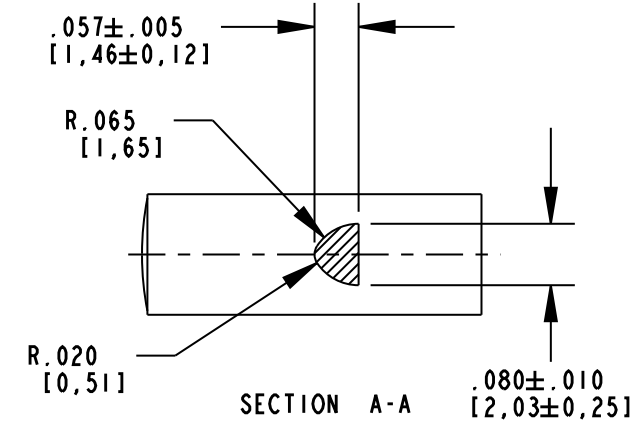
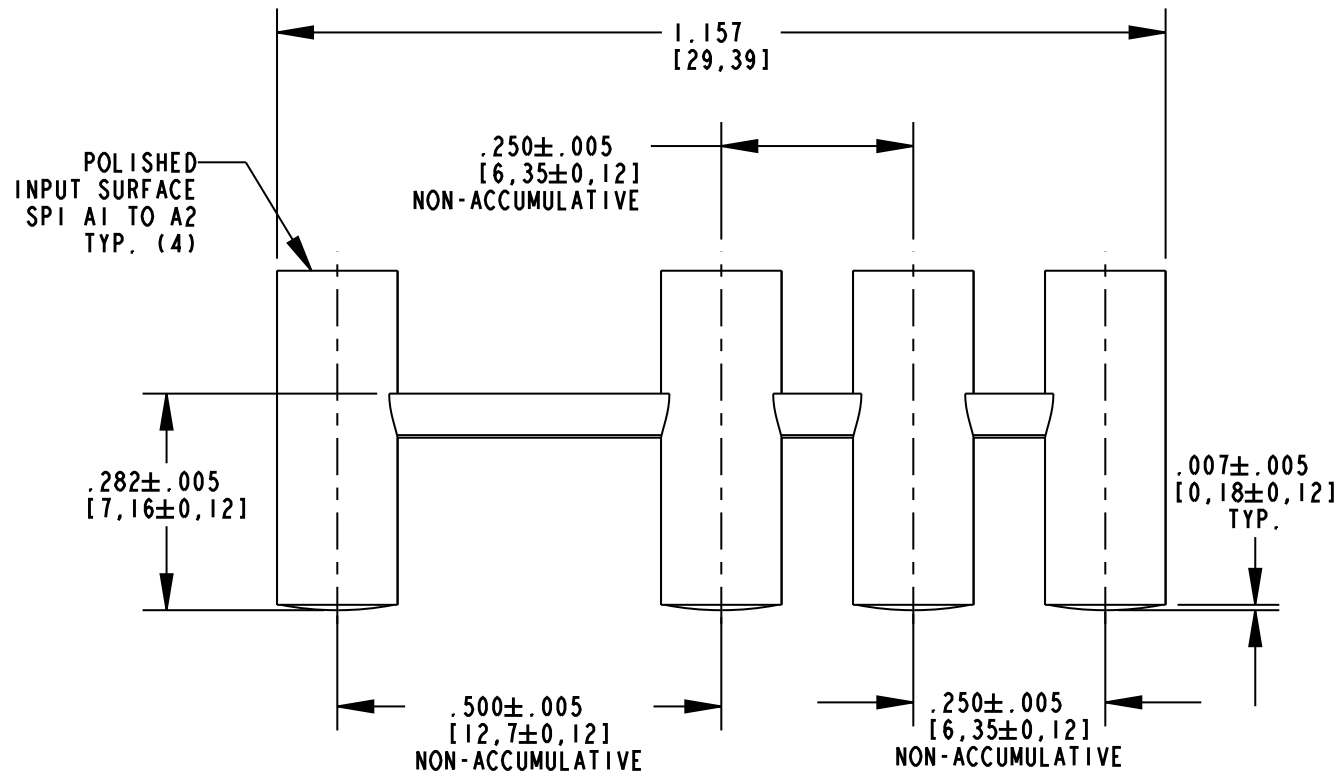


RoHS COMPLIANT 515-1169F

Part Numbers with the "F" suffix ending are RoHS Compliant.
Packaging is marked with "RoHS Compliant" label or equivalent markings.

REV	ECN NO	REVISIONS	DRN	CKD	APP	DATE
A		NEW RELEASE	AJF	KLJ	NO	3-30-10
B		.442 WAS ".411"	AJF	KLJ	NO	5-20-10



NOTES:

1. DIALIGHT PART NUMBER: 515-1169F.
2. COMPONENTS DESIGNED TO BE PANEL MOUNTED.
3. UNLESS OTHERWISE SPECIFIED, SURFACES TO HAVE A FINISH OF SPI A2 TO A3.
4. MATERIAL TO BE CLEAR, TRANSMISSIVE POLYCARBONATE (UL 94V-0 FLAMMABILITY).
5. STORAGE AND OPERATING TEMPERATURE: -30 TO +100°C.
6. RECOMMENDED SURFACE MOUNT LEDS DIALIGHT PART NUMBERS: 597-3XXX-20XF, 597-3121-20XF AND 597-7701-20XF.

THIS DRAWING AND THE CONTENTS HEREIN ARE CONFIDENTIAL AND THE SOLE PROPERTY OF DIALIGHT. REPRODUCTION OF THIS DRAWING OR CONSTRUCTION OF ANY PARTS WITHIN THIS DRAWING ARE FORBIDDEN WITHOUT THE WRITTEN CONSENT OF DIALIGHT.		
SCALE: 4.000 ALL DIM'S IN: INCHES (MM)	DRAWING NUMBER C-17835	REV B
TOLERANCES: UNLESS OTHERWISE SPECIFIED FRACTIONS: ±1/64 DECIMALS (.XX): ±.02 DECIMALS (.XXX): ±.015	TITLE 4 POSITION PANEL MOUNT LIGHTPIPE	
ANGLES: ±1°	MATERIAL	
FINISH:	Dialight 1501 ROUTE 34 SOUTH FARMINGDALE, NJ 07727	
FSCM 83330	SHEET 1 OF 1	FAMILY TABLE: