

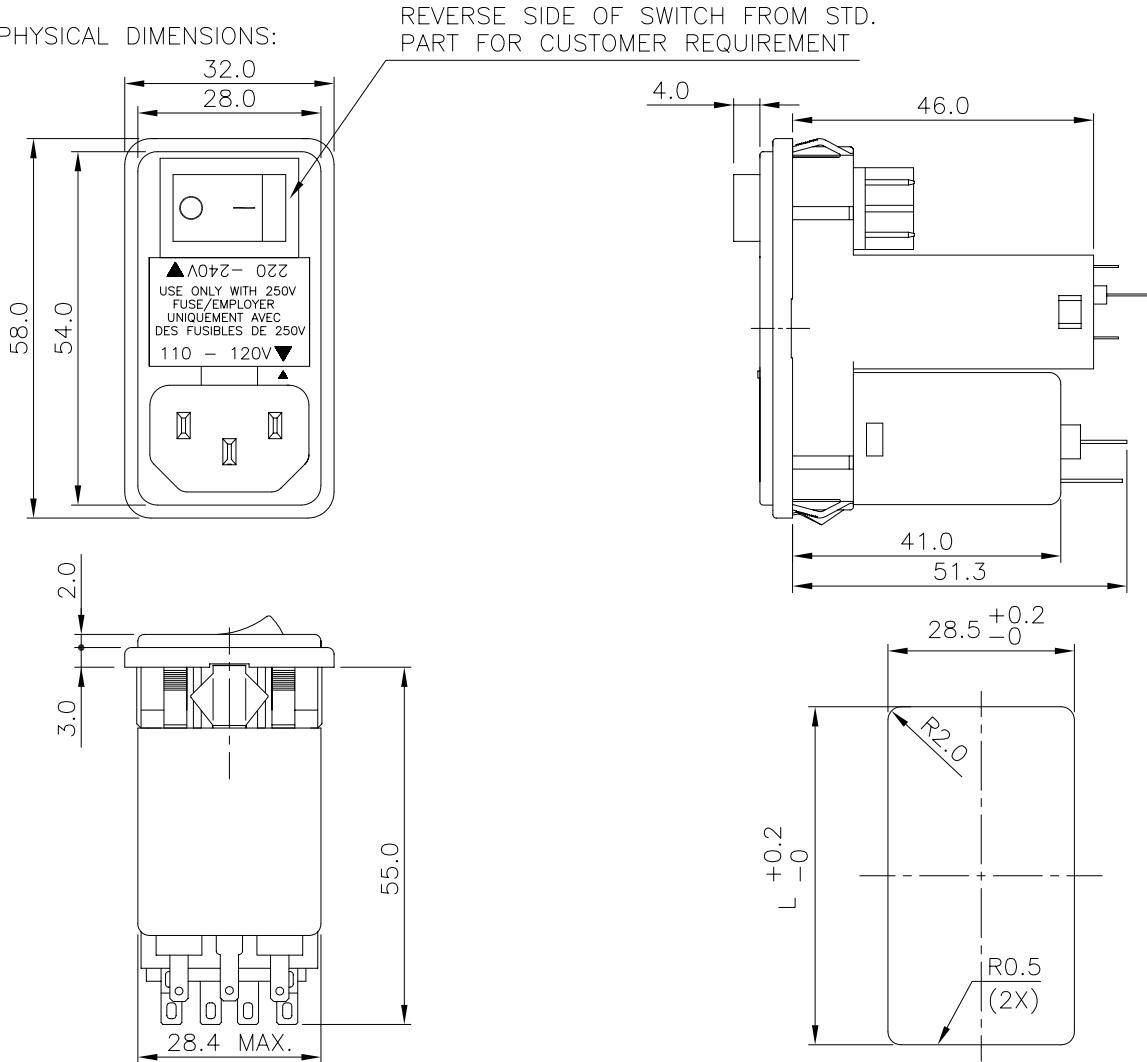
# SPECIFICATION FOR APPROVAL



TO: HUNTER

PART NO.		REV.		DELTA SAMPLE ISSUE NO	
PART NAME	EMI FILTER			DELTA MODEL	06NB3S
ORDER P/N.	06NB3S-HT			SAMPLE ISSUE DATE	

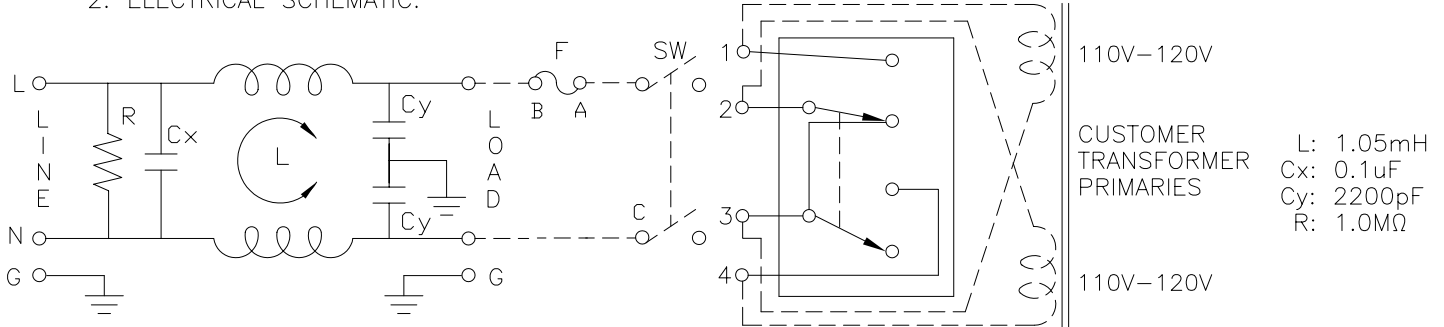
**1. PHYSICAL DIMENSIONS:**



SUGGESTED MOUNTING CUTOUT

(MOUNTING FROM FRONT)  
 L ACCORDING TO PANEL THICKNESS:  
 0.8~2.0mm L=55.9  
 2.1~3.2mm L=56.2

**2. ELECTRICAL SCHEMATIC:**



REPORT BY	CHECKED BY	APPROVED BY	UNLESS OTHERWISE SPECIFIED DIMENSION TOLERANCE		
			DCEIMALS .X± 1.0	.XX±	ANGLES±
			REV.	99.09.02	

**DELTA ELECTRONICS, INC.**

186 RUEY KUANG ROAD, NEIHU. TAIPEI 114, TAIWAN, R.O.C.  
 TEL:886-2-87972088 FAX:886-2-87972120

# SPECIFICATION FOR APPROVAL



TO: HUNTER

PART NO.		REV.		DELTA SAMPLE ISSUE NO	
PART NAME	EMI FILTER			DELTA MODEL	06NB3S
ORDER P/N.	06NB3S-HT			SAMPLE ISSUE DATE	

### 3. ELECTRICAL CHARACTERISTICS:

- 3-1. VOLTAGE RATING ..... 115/250VAC
- 3-2. CURRENT RATING
  - A. AT 115VAC ..... 6 A RMS Max.
  - B. AT 250VAC ..... 6 A RMS Max.
- 3-3. OPERATING FREQUENCY..... 50/60 Hz
- 3-4. LEAKAGE CURRENT: EACH LINE TO GROUND
  - A. @115VAC 60Hz ..... 0.20 mA Max.
  - B. @250VAC 50Hz ..... 0.40 mA Max.
- 3-5. HIPOT RATING (FOR ONE MINUTE)
  - A. LINE TO GROUND ..... 2250VDC
  - B. LINE TO LINE ..... 1450VDC
- 3-6. TEMPERATURE RANGE: -25 TO +85 DEGREE C
- 3-7. MINIMUM INSERTION LOSS IN dB: (AT 50 OHM SYSTEM)

FREQ. MHz	.01	.05	.10	.15	.50	1.0	5.0	10	30
COM. MODE dB	/	6	10	12	18	24	35	40	40
DIF. MODE dB	/	1	2	4	10	15	35	40	40

3-8. SAFETY

REPORT BY	CHECKED BY	APPROVED BY	3	
			2	
			REV.1	