

SPECIFICATION FOR APPROVAL



TO: _____

PART NO.	02DBAW5-W7	REV.	S00	DELTA SAMPLE ISSUE NO	
PART NAME	EMI FILTER			DELTA MODEL	02DBAW5
ORDER P/N.	02DBAW5-W7			SAMPLE ISSUE DATE	

1. ELECTRICAL CHARACTERISTICS :

1-1. VOLTAGE RATING 115/250VAC

1-2. CURRENT RATING

A. AT 115VAC 2 A RMS MAX.

B. AT 250VAC 2 A RMS MAX.

1-3. OPERATING FREQUENCY 50/60Hz

1-4. LEAKAGE CURRENT : EACH LINE TO GROUND

A. AT 115VAC 60Hz 0.25 mA MAX.

B. AT 250VAC 50Hz 0.45 mA MAX.

1-5. HIPOT RATING (FOR ONE MINUTE)

A. LINE TO GROUND 2250 VDC

B. LINE TO LINE 1450 VDC

1-6. MINIMUM INSERTION LOSS IN dB

MHz	.01	.05	.10	.15	.50	1.0	5.0	10	30
COM. MODE	/	/	/	15	30	38	45	45	40
DIF. MODE	/	/	/	6	15	20	40	45	45

1-7. OPERATING TEMPERATURE -25°C TO +100°C

1-8. SAFETY :

REPORT BY 	CHECKED BY <i>PAGMOTER</i>	APPROVED BY <i>withich</i>	UNLESS OTHERWISE SPECIFIED DIMENSION TOLERANCE DECIMALS .X± .XX± ANGLES±
			REV. MAY 12,2011

DELTA ELECTRONICS (THAILAND) PUBLIC CO.,LTD.
 111 MOO 9 WELLGROW INDUSTRIAL ESTATE
 BANGNE-TRAD Rd., TAMBON BANGWUA, AMPHUR BANGPAKONG,
 CHACHOENGSAO 24180 THAILAND.

TEL : (66-38) 522-480
 FAX : (66-38) 522-489

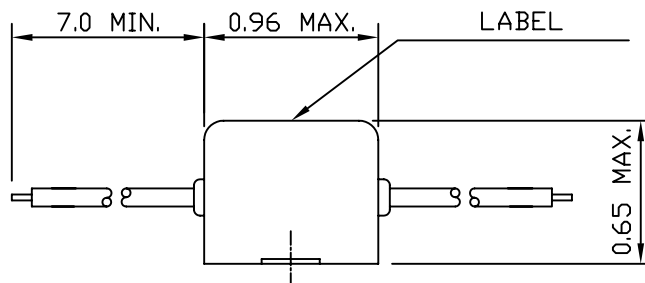
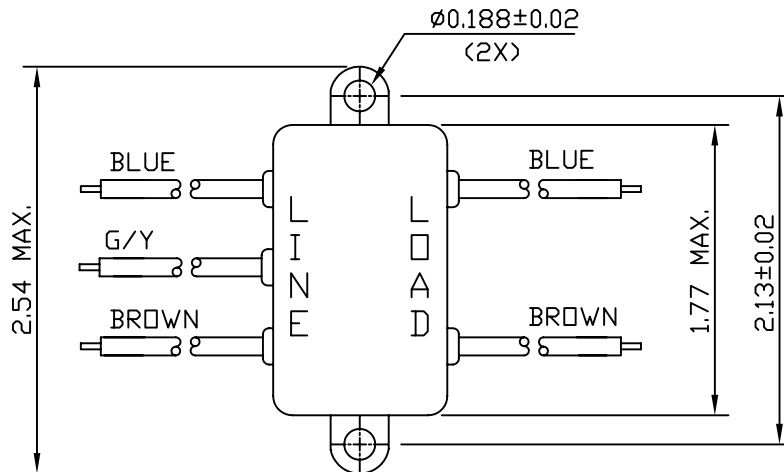
SPECIFICATION FOR APPROVAL



TO: _____

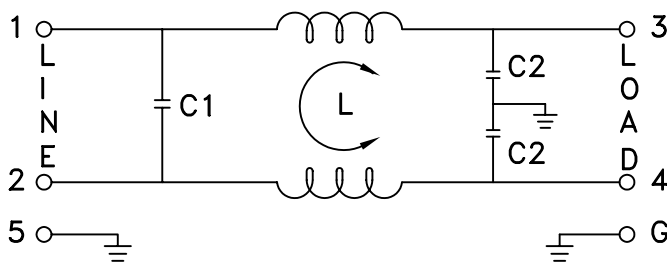
PART NO.	02DBAW5-W7	REV.	S00	DELTA SAMPLE ISSUE NO	
PART NAME	EMI FILTER			DELTA MODEL	02DBAW5
ORDER P/N.	02DBAW5-W7			SAMPLE ISSUE DATE	

2. MECHANICAL DIMENSIONS :



UNIT : INCH

3. ELECTRICAL SCHEMATIC :



L : 1.1 mH
 C1 : 0.1 uF
 C2 : 3300 pF

REPORT BY <i>Song H.</i>	CHECKED BY <i>PRAMOTE E.</i>	APPROVED BY <i>skthich</i>	UNLESS OTHERWISE SPECIFIED DIMENSION TOLERANCE		
			DECIMALS .X \pm	.XX \pm	ANGLES \pm
			REV.	MAY 12, 2011	

DELTA ELECTRONICS (THAILAND) PUBLIC CO.,LTD.
 111 MOO 9 WELLGROW INDUSTRIAL ESTATE
 BANGNE-TRAD Rd., TAMBON BANGWUA, AMPHUR BANGPAKONG,
 CHACHOENGSAO 24180 THAILAND.

TEL : (66-38) 522-480
 FAX : (66-38) 522-489