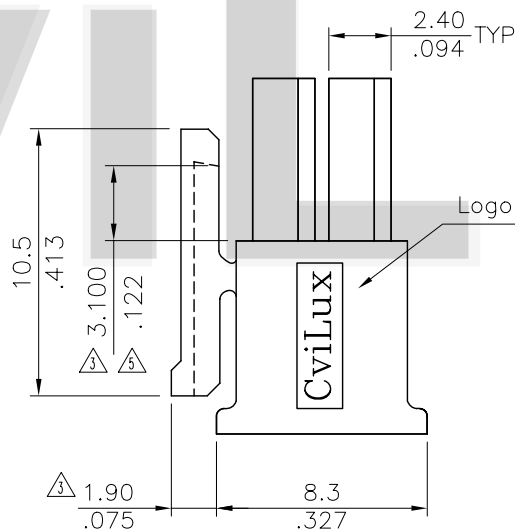
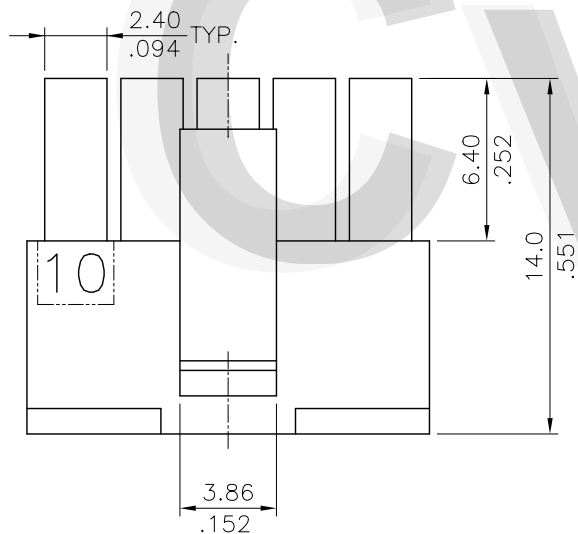


Material : PBT. UL 94V-0

Ordering Code:

CP35 \*\* S 001 0  
 ① ② ③ ④ ⑤

- ① Series No.
- ② Connector: 02 to 24
- ③ Contact type: S = Receptacle
- ④ Color: 001 = Color Black
- ⑤ Option: 0 = Standard



| Circuits | Dimension    |             |
|----------|--------------|-------------|
|          | A            | B           |
| 2        | —            | 3.9(.154)   |
| 4        | 3.00(.118)   | 6.9(.272)   |
| 6        | 6.00(.236)   | 9.9(.390)   |
| 8        | 9.00(.354)   | 12.9(.508)  |
| 10       | 12.00(.472)  | 15.9(.626)  |
| 12       | 15.00(.591)  | 18.9(.744)  |
| 14       | 18.00(.709)  | 21.9(.862)  |
| 16       | 21.00(.827)  | 24.9(.980)  |
| 18       | 24.00(.945)  | 27.9(1.098) |
| 20       | 27.00(1.063) | 30.9(1.217) |
| 22       | 30.00(1.181) | 33.9(1.335) |
| 24       | 33.00(1.299) | 36.9(1.453) |

RoHS Compliant

|     |       |          |           |  |                   |                 |  |                                |                      |
|-----|-------|----------|-----------|--|-------------------|-----------------|--|--------------------------------|----------------------|
| ⑤   | JASON | 6/6/05'  | ECN05204  |  | DATE              | UNIT: mm / inch | TITLE: 3.00mm PITCH POWER CONNECTOR FEMALE HOUSING | 瀚荃股份有限公司<br>CviLux Corporation |                      |
| ④   | SUN   | 1/26/05' | ECN05029  |  | DRAWN BY: Jason   | 06/06-05'       | TOLERANCE UNLESS OTHERWISE SPECIFIED               |                                | MATERIAL:            |
| ③   | SUN   | 9/29/04' | ECN04344  |  | ENGINEER: Eisley  | 06/07-05'       | .X ±0.30/.012 X' ± 1'                              |                                | FINISH:              |
| ②   | SUN   | 5/14/04' | ECN04198  |  | CHECKED BY: David | 06/07-05'       | .XX ±0.20/.008 .X' ±                               | DRAWING NO. CP3501SH           | PART NO. CP35**S0010 |
| SYM | NAME  | DATE     | REVISIONS |  | APPROVED BY: Alex | 06/07-05'       | .XXX ±0.10/.004 .XX' ±                             | SCALE 3 / 1                    | SHEET 1 OF 1         |