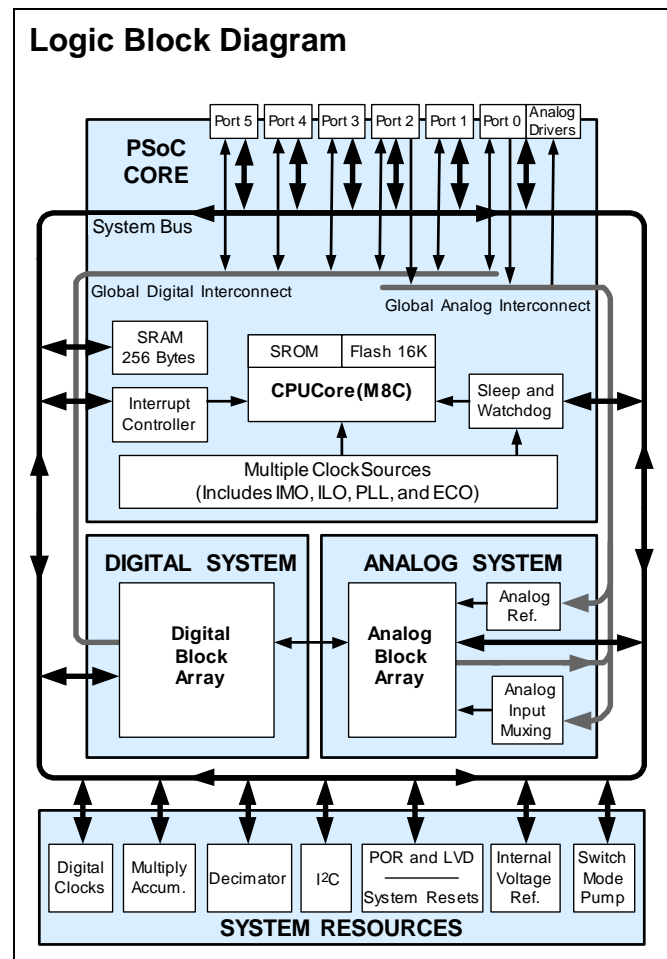


## Features

- **Powerful Harvard Architecture Processor**
  - M8C processor speeds to 24 MHz
  - 8x8 multiply, 32-bit accumulate
  - Low power at high speed
  - 3.0 to 5.25V operating voltage
  - Operating voltages down to 1.0V using on-chip switch mode pump (SMP)
  - Industrial temperature range: -40°C to +85°C
- **Advanced Peripherals (PSoC<sup>®</sup> Blocks)**
  - 12 rail-to-rail analog PSoC blocks provide:
    - Up to 14-Bit ADCs
    - Up to 9-Bit DACs
    - Programmable Gain Amplifiers
    - Programmable filters and comparators
  - Eight digital PSoC blocks provide:
    - 8- to 32-bit timers, counters, and PWMs
    - CRC and PRS modules
    - Up to two full-duplex UARTs
    - Multiple SPI<sup>™</sup> Masters or Slaves
    - Connectable to all GPIO pins
  - Complex peripherals by combining blocks
- **Precision, Programmable Clocking**
  - Internal 2.5% 24/48 MHz oscillator
  - 24/48 MHz with optional 32 kHz crystal
  - Optional external oscillator, up to 24 MHz
  - Internal oscillator for watchdog and sleep
- **Flexible On-Chip Memory**
  - 16K Flash program storage 50,000 erase/write cycles
  - 256 bytes SRAM data storage
  - In-System Serial Programming (ISSP)
  - Partial Flash updates
  - Flexible protection modes
  - EEPROM emulation in Flash
- **Programmable Pin Configurations**
  - 25 mA Sink, 10 mA Source on all GPIO
  - Pull up, pull down, high Z, strong, or open drain drive modes on all GPIO
  - Eight standard analog inputs on GPIO, plus four additional analog inputs with restricted routing
  - Four 30 mA analog outputs on GPIO
  - Configurable interrupt on all GPIO

- **Additional System Resources**
  - I2C slave, master, and multi-master to 400 kHz
  - Watchdog and sleep timers
  - User-configurable low voltage detection
  - Integrated supervisory circuit
  - On-chip precision voltage reference
- **Complete Development Tools**
  - Free development software (PSoC Designer<sup>™</sup>)
  - Full featured, In-Circuit Emulator and Programmer
  - Full speed emulation
  - Complex breakpoint structure
  - 128K trace memory



## Contents

<b>Features</b> .....	<b>1</b>	20-Pin Part Pinout .....	9
<b>Logic Block Diagram</b> .....	<b>1</b>	28-Pin Part Pinout .....	10
<b>Contents</b> .....	<b>2</b>	44-Pin Part Pinout .....	11
<b>PSoC Functional Overview</b> .....	<b>3</b>	48-Pin Part Pinout .....	12
PSoC Core .....	3	56-Pin Part Pinout .....	14
Digital System .....	3	<b>Register Reference</b> .....	<b>16</b>
Analog System .....	4	Register Conventions .....	16
Additional System Resources .....	5	Register Mapping Tables .....	16
PSoC Device Characteristics .....	5	<b>Electrical Specifications</b> .....	<b>19</b>
<b>Getting Started</b> .....	<b>5</b>	Absolute Maximum Ratings .....	20
Application Notes .....	5	Operating Temperature .....	20
Development Kits .....	5	DC Electrical Characteristics .....	21
Training .....	5	AC Electrical Characteristics .....	32
CYPros Consultants .....	5	<b>Packaging Information</b> .....	<b>41</b>
Solutions Library .....	5	Packaging Dimensions .....	41
Technical Support .....	5	Thermal Impedances .....	46
<b>Development Tools</b> .....	<b>6</b>	Capacitance on Crystal Pins .....	46
PSoC Designer Software Subsystems .....	6	Solder Reflow Peak Temperature .....	47
In-Circuit Emulator .....	6	<b>Development Tool Selection</b> .....	<b>48</b>
<b>Designing with PSoC Designer</b> .....	<b>7</b>	Software .....	48
Select Components .....	7	Development Kits .....	48
Configure Components .....	7	Evaluation Tools .....	48
Organize and Connect .....	7	Device Programmers .....	49
Generate, Verify, and Debug .....	7	<b>Accessories (Emulation and Programming)</b> .....	<b>49</b>
<b>Document Conventions</b> .....	<b>8</b>	<b>Ordering Information</b> .....	<b>50</b>
Acronyms Used .....	8	Ordering Code Definitions .....	51
Units of Measure .....	8	<b>Document History Page</b> .....	<b>52</b>
Numeric Naming .....	8	<b>Sales, Solutions, and Legal Information</b> .....	<b>53</b>
<b>Pinouts</b> .....	<b>9</b>	Worldwide Sales and Design Support .....	53
8-Pin Part Pinout .....	9	Products .....	53

## PSoC Functional Overview

The PSoC family consists of many *Programmable System-on-Chip Controller* devices. These devices are designed to replace multiple traditional MCU-based system components with one, low cost single-chip programmable device. PSoC devices include configurable blocks of analog and digital logic, as well as programmable interconnects. This architecture allows the user to create customized peripheral configurations that match the requirements of each individual application. Additionally, a fast CPU, Flash program memory, SRAM data memory, and configurable I/O are included in a range of convenient pinouts and packages.

The PSoC architecture, as illustrated on the left, is comprised of four main areas: PSoC Core, Digital System, Analog System, and System Resources. Configurable global busing allows all the device resources to be combined into a complete custom system. The PSoC CY8C27x43 family can have up to five I/O ports that connect to the global digital and analog interconnects, providing access to 8 digital blocks and 12 analog blocks.

### PSoC Core

The PSoC Core is a powerful engine that supports a rich feature set. The core includes a CPU, memory, clocks, and configurable GPIO (General Purpose I/O).

The M8C CPU core is a powerful processor with speeds up to 24 MHz, providing a four MIPS 8-bit Harvard architecture microprocessor. The CPU utilizes an interrupt controller with 17 vectors, to simplify programming of real time embedded events. Program execution is timed and protected using the included Sleep and Watch Dog Timers (WDT).

Memory encompasses 16K of Flash for program storage, 256 bytes of SRAM for data storage, and up to 2K of EEPROM emulated using the Flash. Program Flash utilizes four protection levels on blocks of 64 bytes, allowing customized software IP protection.

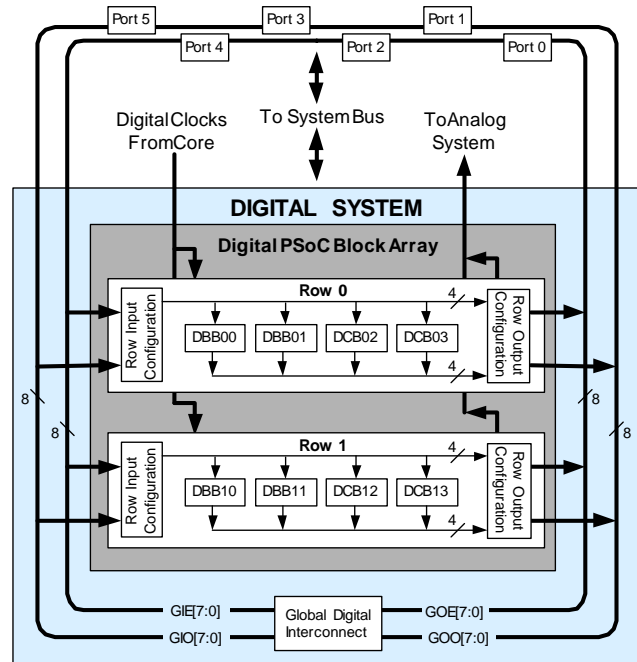
The PSoC device incorporates flexible internal clock generators, including a 24 MHz IMO (internal main oscillator) accurate to 2.5% over temperature and voltage. The 24 MHz IMO can also be doubled to 48 MHz for use by the digital system. A low power 32 kHz ILO (internal low speed oscillator) is provided for the Sleep timer and WDT. If crystal accuracy is desired, the ECO (32.768 kHz external crystal oscillator) is available for use as a Real Time Clock (RTC) and can optionally generate a crystal-accurate 24 MHz system clock using a PLL. The clocks, together with programmable clock dividers (as a System Resource), provide the flexibility to integrate almost any timing requirement into the PSoC device.

PSoC GPIOs provide connection to the CPU, digital and analog resources of the device. Each pin's drive mode may be selected from eight options, allowing great flexibility in external interfacing. Every pin also has the capability to generate a system interrupt on high level, low level, and change from last read.

## Digital System

The Digital System is composed of 8 digital PSoC blocks. Each block is an 8-bit resource that can be used alone or combined with other blocks to form 8, 16, 24, and 32-bit peripherals, which are called user modules.

**Figure 1. Digital System Block Diagram**



Digital peripheral configurations include those listed below.

- PWMs (8 to 32 bit)
- PWMs with Dead band (8 to 32 bit)
- Counters (8 to 32 bit)
- Timers (8 to 32 bit)
- UART 8 bit with selectable parity (up to 2)
- SPI slave and master (up to 2)
- I2C slave and multi-master (1 available as a System Resource)
- Cyclical Redundancy Checker/Generator (8 to 32 bit)
- IrDA (up to 2)
- Pseudo Random Sequence Generators (8 to 32 bit)

The digital blocks can be connected to any GPIO through a series of global buses that can route any signal to any pin. The buses also allow for signal multiplexing and for performing logic operations. This configurability frees your designs from the constraints of a fixed peripheral controller.

Digital blocks are provided in rows of four, where the number of blocks varies by PSoC device family. This allows you the optimum choice of system resources for your application. Family resources are shown in the table titled "[PSoC Device Characteristics](#)" on page 5.

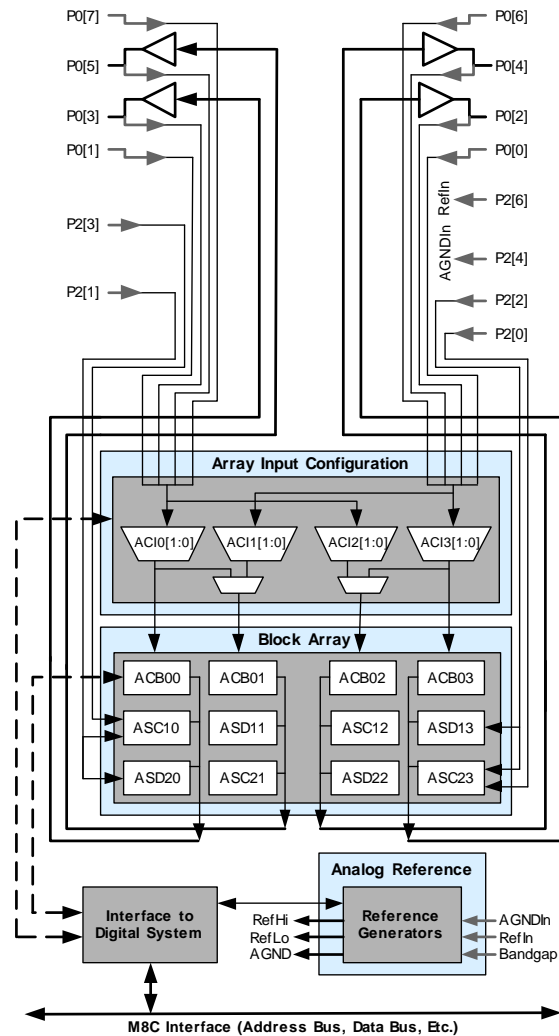
### Analog System

The Analog System is composed of 12 configurable blocks, each comprised of an opamp circuit allowing the creation of complex analog signal flows. Analog peripherals are very flexible and can be customized to support specific application requirements. Some of the more common PSoC analog functions (most available as user modules) are listed below.

- Analog-to-digital converters (up to 4, with 6- to 14-bit resolution, selectable as Incremental, Delta Sigma, and SAR)
- Filters (2, 4, 6, and 8 pole band-pass, low-pass, and notch)
- Amplifiers (up to 4, with selectable gain to 48x)
- Instrumentation amplifiers (up to 2, with selectable gain to 93x)
- Comparators (up to 4, with 16 selectable thresholds)
- DACs (up to 4, with 6- to 9-bit resolution)
- Multiplying DACs (up to 4, with 6- to 9-bit resolution)
- High current output drivers (four with 30 mA drive as a Core Resource)
- 1.3V reference (as a System Resource)
- DTMF Dialer
- Modulators
- Correlators
- Peak detectors
- Many other topologies possible

Analog blocks are provided in columns of three, which includes one CT (Continuous Time) and two SC (Switched Capacitor) blocks, as shown in the figure below.

**Figure 2. Analog System Block Diagram**



## Additional System Resources

System Resources, some of which have been previously listed, provide additional capability useful to complete systems. Additional resources include a multiplier, decimator, switch mode pump, low voltage detection, and power on reset. Statements describing the merits of each system resource are below.

- Digital clock dividers provide three customizable clock frequencies for use in applications. The clocks can be routed to both the digital and analog systems. Additional clocks can be generated using digital PSoC blocks as clock dividers.
- Multiply accumulate (MAC) provides fast 8-bit multiplier with 32-bit accumulate, to assist in general math and digital filters.
- The decimator provides a custom hardware filter for digital signal processing applications including the creation of Delta Sigma ADCs.
- The I2C module provides 100 and 400 kHz communication over two wires. Slave, master, and multi-master modes are all supported.
- Low Voltage Detection (LVD) interrupts can signal the application of falling voltage levels, while the advanced POR (Power On Reset) circuit eliminates the need for a system supervisor.
- An internal 1.3V reference provides an absolute reference for the analog system, including ADCs and DACs.
- An integrated switch mode pump (SMP) generates normal operating voltages from a single 1.2V battery cell, providing a low cost boost converter.

## PSoC Device Characteristics

Depending on your PSoC device characteristics, the digital and analog systems can have 16, 8, or 4 digital blocks and 12, 6, or 4 analog blocks. The following table lists the resources available for specific PSoC device groups. The PSoC device covered by this data sheet is highlighted below.

**Table 1. PSoC Device Characteristics**

PSoC Part Number	Digital I/O	Digital Rows	Digital Blocks	Analog Inputs	Analog Outputs	Analog Columns	Analog Blocks	SRAM Size	Flash Size
CY8C29x66	up to 64	4	16	12	4	4	12	2K	32K
<b>CY8C27x43</b>	<b>up to 44</b>	<b>2</b>	<b>8</b>	<b>12</b>	<b>4</b>	<b>4</b>	<b>12</b>	<b>256 Bytes</b>	<b>16K</b>
CY8C24x94	49	1	4	48	2	2	6	1K	16K
CY8C24x23	up to 24	1	4	12	2	2	6	256 Bytes	4K
CY8C24x23A	up to 24	1	4	12	2	2	6	256 Bytes	4K
CY8C21x34	up to 28	1	4	28	0	2	4 <sup>[1]</sup>	512 Bytes	8K
CY8C21x23	16	1	4	8	0	2	4 <sup>[2]</sup>	256 Bytes	4K
CY8C20x34	up to 28	0	0	28	0	0	3 <sup>[2]</sup>	512 Bytes	8K

### Notes

1. Limited analog functionality.
2. Two analog blocks and one CapSense.

## Getting Started

The quickest way to understand PSoC silicon is to read this data sheet and then use the PSoC Designer Integrated Development Environment (IDE). This data sheet is an overview of the PSoC integrated circuit and presents specific pin, register, and electrical specifications.

For in depth information, along with detailed programming information, see the Technical Reference Manual for this PSoC device.

For up to date ordering, packaging, and electrical specification information, see the latest PSoC device data sheets on the web at <http://www.cypress.com>.

## Application Notes

Application notes are an excellent introduction to the wide variety of possible PSoC designs and are available at <http://www.cypress.com>.

## Development Kits

PSoC Development Kits are available online from Cypress at <http://www.cypress.com> and through a growing number of regional and global distributors, which include Arrow, Avnet, Digi-Key, Farnell, Future Electronics, and Newark.

## Training

Free PSoC technical training (on demand, webinars, and workshops) is available online at <http://www.cypress.com>. The training covers a wide variety of topics and skill levels to assist you in your designs.

## CYPros Consultants

Certified PSoC Consultants offer everything from technical assistance to completed PSoC designs. To contact or become a PSoC Consultant go to <http://www.cypress.com> and refer to CYPros Consultants.

## Solutions Library

Visit our growing library of solution focused designs at <http://www.cypress.com>. Here you can find various application designs that include firmware and hardware design files that enable you to complete your designs quickly.

## Technical Support

For assistance with technical issues, search KnowledgeBase articles and forums at <http://www.cypress.com>. If you cannot find an answer to your question, call technical support at 1-800-541-4736.



## Development Tools

PSoC Designer is a Microsoft® Windows-based, integrated development environment for the Programmable System-on-Chip (PSoC) devices. The PSoC Designer IDE runs on Windows XP or Windows Vista.

This system provides design database management by project, an integrated debugger with In-Circuit Emulator, in-system programming support, and built in support for third party assemblers and C compilers.

PSoC Designer also supports C language compilers developed specifically for the devices in the PSoC family.

### PSoC Designer Software Subsystems

#### *System-Level View*

A drag-and-drop visual embedded system design environment based on PSoC Express. In the system level view you create a model of your system inputs, outputs, and communication interfaces. You define when and how an output device changes state based upon any or all other system devices. Based upon the design, PSoC Designer automatically selects one or more PSoC Programmable System-on-Chip Controllers that match your system requirements.

PSoC Designer generates all embedded code, then compiles and links it into a programming file for a specific PSoC device.

#### *Chip-Level View*

The chip-level view is a more traditional IDE. Choose a base device to work with and then select different onboard analog and digital components called user modules that use the PSoC blocks. Examples of user modules are ADCs, DACs, Amplifiers, and Filters. Configure the user modules for your chosen application and connect them to each other and to the proper pins. Then generate your project. This prepopulates your project with APIs and libraries that you can use to program your application.

The device editor also supports easy development of multiple configurations and dynamic reconfiguration. Dynamic configuration allows for changing configurations at run time.

#### *Hybrid Designs*

You can begin in the system-level view, allow it to choose and configure your user modules, routing, and generate code, then switch to the chip-level view to gain complete control over on-chip resources. All views of the project share a common code editor, builder, and common debug, emulation, and programming tools.

#### *Code Generation Tools*

PSoC Designer supports multiple third party C compilers and assemblers. The code generation tools work seamlessly within the PSoC Designer interface and have been tested with a full range of debugging tools. The choice is yours.

**Assemblers.** The assemblers allow assembly code to merge seamlessly with C code. Link libraries automatically use absolute addressing or are compiled in relative mode, and linked with other software modules to get absolute addressing.

**C Language Compilers.** C language compilers are available that support the PSoC family of devices. The products allow you to create complete C programs for the PSoC family devices.

The optimizing C compilers provide all the features of C tailored to the PSoC architecture. They come complete with embedded libraries providing port and bus operations, standard keypad and display support, and extended math functionality.

#### *Debugger*

The PSoC Designer Debugger subsystem provides hardware in-circuit emulation, allowing you to test the program in a physical system while providing an internal view of the PSoC device. Debugger commands allow the designer to read and program and read and write data memory, read and write I/O registers, read and write CPU registers, set and clear breakpoints, and provide program run, halt, and step control. The debugger also allows the designer to create a trace buffer of registers and memory locations of interest.

#### *Online Help System*

The online help system displays online, context-sensitive help for the user. Designed for procedural and quick reference, each functional subsystem has its own context-sensitive help. This system also provides tutorials and links to FAQs and an Online Support Forum to aid the designer in getting started.

### **In-Circuit Emulator**

A low cost, high functionality In-Circuit Emulator (ICE) is available for development support. This hardware has the capability to program single devices.

The emulator consists of a base unit that connects to the PC by way of a USB port. The base unit is universal and operates with all PSoC devices. Emulation pods for each device family are available separately. The emulation pod takes the place of the PSoC device in the target board and performs full speed (24 MHz) operation.

## Designing with PSoC Designer

The development process for the PSoC device differs from that of a traditional fixed function microprocessor. The configurable analog and digital hardware blocks give the PSoC architecture a unique flexibility that pays dividends in managing specification change during development and by lowering inventory costs. These configurable resources, called PSoC Blocks, have the ability to implement a wide variety of user selectable functions.

The PSoC development process can be summarized in the following four steps:

1. Select Components
2. Configure Components
3. Organize and Connect
4. Generate, Verify, and Debug

### Select Components

Both the system-level and chip-level views provide a library of prebuilt, pretested hardware peripheral components. In the system-level view, these components are called “drivers” and correspond to inputs (a thermistor, for example), outputs (a brushless DC fan, for example), communication interfaces (I<sup>2</sup>C-bus, for example), and the logic to control how they interact with one another (called valuator).

In the chip-level view, the components are called “user modules”. User modules make selecting and implementing peripheral devices simple, and come in analog, digital, and programmable system-on-chip varieties.

### Configure Components

Each of the components you select establishes the basic register settings that implement the selected function. They also provide parameters and properties that allow you to tailor their precise configuration to your particular application. For example, a Pulse Width Modulator (PWM) User Module configures one or more digital PSoC blocks, one for each 8 bits of resolution. The user module parameters permit you to establish the pulse width and duty cycle. Configure the parameters and properties to correspond to your chosen application. Enter values directly or by selecting values from drop-down menus.

Both the system-level drivers and chip-level user modules are documented in data sheets that are viewed directly in PSoC Designer. These data sheets explain the internal operation of the component and provide performance specifications. Each data sheet describes the use of each user module parameter or driver property, and other information you may need to successfully implement your design.

## Organize and Connect

You can build signal chains at the chip level by interconnecting user modules to each other and the I/O pins, or connect system level inputs, outputs, and communication interfaces to each other with valuator functions.

In the system-level view, selecting a potentiometer driver to control a variable speed fan driver and setting up the valuator to control the fan speed based on input from the pot selects, places, routes, and configures a programmable gain amplifier (PGA) to buffer the input from the potentiometer, an analog to digital converter (ADC) to convert the potentiometer’s output to a digital signal, and a PWM to control the fan.

In the chip-level view, perform the selection, configuration, and routing so that you have complete control over the use of all on-chip resources.

## Generate, Verify, and Debug

When you are ready to test the hardware configuration or move on to developing code for the project, perform the “Generate Application” step. This causes PSoC Designer to generate source code that automatically configures the device to your specification and provides the software for the system.

Both system-level and chip-level designs generate software based on your design. The chip-level design provides application programming interfaces (APIs) with high level functions to control and respond to hardware events at run time and interrupt service routines that you can adapt as needed. The system-level design also generates a C `main()` program that completely controls the chosen application and contains placeholders for custom code at strategic positions allowing you to further refine the software without disrupting the generated code.

A complete code development environment allows you to develop and customize your applications in C, assembly language, or both.

The last step in the development process takes place inside PSoC Designer’s Debugger subsystem. The Debugger downloads the HEX image to the ICE where it runs at full speed. Debugger capabilities rival those of systems costing many times more. In addition to traditional single-step, run-to-breakpoint and watch-variable features, the Debugger provides a large trace buffer and allows you define complex breakpoint events that include monitoring address and data bus values, memory locations and external signals.

## Document Conventions

### Acronyms Used

This table lists the acronyms used in this data sheet.

**Table 2. Acronyms**

Acronym	Description
AC	alternating current
ADC	analog-to-digital converter
API	application programming interface
CPU	central processing unit
CT	continuous time
DAC	digital-to-analog converter
DC	direct current
EEPROM	electrically erasable programmable read-only memory
FSR	full scale range
GPIO	general purpose I/O
ICE	in-circuit emulator
IDE	integrated development environment
I/O	input/output
ISSP	in-system serial programming
IPOR	imprecise power on reset
LSb	least-significant bit
LVD	low voltage detect
MSb	most-significant bit
PC	program counter
PGA	programmable gain amplifier
POR	power on reset
PPOR	precision power on reset
PSoC <sup>®</sup>	Programmable System-on-Chip <sup>™</sup>
PWM	pulse width modulator
ROM	read only memory
SC	switched capacitor
SMP	switch mode pump
SRAM	static random access memory

### Units of Measure

A units of measure table is located in the section [Electrical Specifications](#) on page 19. [Table 13](#) on page 19 lists all the abbreviations used to measure the PSoC devices.

### Numeric Naming

Hexadecimal numbers are represented with all letters in uppercase with an appended lowercase 'h' (for example, '14h' or '3Ah'). Hexadecimal numbers may also be represented by a '0x' prefix, the C coding convention. Binary numbers have an appended lowercase 'b' (for example, '01010100b' or '01000011b'). Numbers not indicated by an 'h', 'b', or 0x are decimal.



## Pinouts

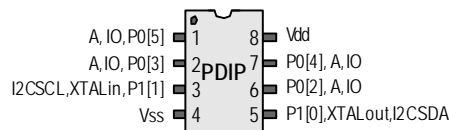
The CY8C27x43 PSoC device is available in a variety of packages which are listed and illustrated in the following tables. Every port pin (labeled with a "P") is capable of Digital I/O. However, Vss, Vdd, SMP, and XRES are not capable of Digital I/O.

### 8-Pin Part Pinout

**Table 3. Pin Definitions - 8-Pin PDIP**

Pin No.	Type		Pin Name	Description
	Digital	Analog		
1	I/O	I/O	P0[5]	Analog column mux input and column output.
2	I/O	I/O	P0[3]	Analog column mux input and column output.
3	I/O		P1[1]	Crystal Input (XTALin), I2C Serial Clock (SCL), ISSP-SCLK*.
4	Power		Vss	Ground connection.
5	I/O		P1[0]	Crystal Output (XTALout), I2C Serial Data (SDA), ISSP-SDATA*.
6	I/O	I/O	P0[2]	Analog column mux input and column output.
7	I/O	I/O	P0[4]	Analog column mux input and column output.
8	Power		Vdd	Supply voltage.

**Figure 3. CY8C27143 8-Pin PSoC Device**



**LEGEND:** A = Analog, I = Input, and O = Output.

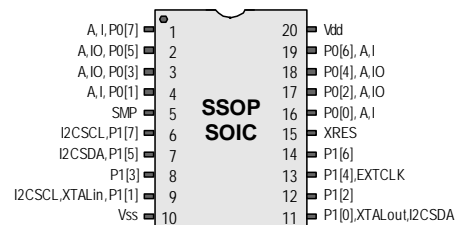
\* These are the ISSP pins, which are not High Z at POR (Power On Reset). See the *PSoC Programmable System-on-Chip Technical Reference Manual* for details.

### 20-Pin Part Pinout

**Table 4. Pin Definitions - 20-Pin SSOP, SOIC**

Pin No.	Type		Pin Name	Description
	Digital	Analog		
1	I/O	I	P0[7]	Analog column mux input.
2	I/O	I/O	P0[5]	Analog column mux input and column output.
3	I/O	I/O	P0[3]	Analog column mux input and column output.
4	I/O	I	P0[1]	Analog column mux input.
5	Power		SMP	Switch Mode Pump (SMP) connection to external components required.
6	I/O		P1[7]	I2C Serial Clock (SCL).
7	I/O		P1[5]	I2C Serial Data (SDA).
8	I/O		P1[3]	
9	I/O		P1[1]	Crystal Input (XTALin), I2C Serial Clock (SCL), ISSP-SCLK*.
10	Power		Vss	Ground connection.
11	I/O		P1[0]	Crystal Output (XTALout), I2C Serial Data (SDA), ISSP-SDATA*.
12	I/O		P1[2]	
13	I/O		P1[4]	Optional External Clock Input (EXTCLK).
14	I/O		P1[6]	
15	Input		XRES	Active high external reset with internal pull down.
16	I/O	I	P0[0]	Analog column mux input.
17	I/O	I/O	P0[2]	Analog column mux input and column output.
18	I/O	I/O	P0[4]	Analog column mux input and column output.
19	I/O	I	P0[6]	Analog column mux input.
20	Power		Vdd	Supply voltage.

**Figure 4. CY8C27243 20-Pin PSoC Device**



**LEGEND:** A = Analog, I = Input, and O = Output.

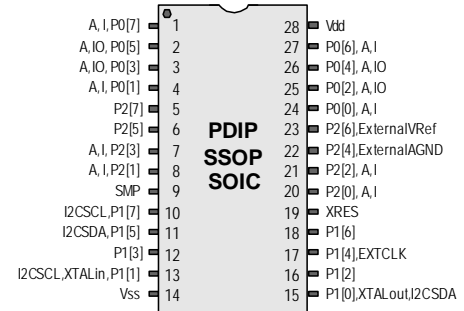
\* These are the ISSP pins, which are not High Z at POR (Power On Reset). See the *PSoC Programmable System-on-Chip Technical Reference Manual* for details.

## 28-Pin Part Pinout

**Table 5. Pin Definitions - 28-Pin PDIP, SSOP, SOIC**

Pin No.	Type		Pin Name	Description
	Digital	Analog		
1	I/O	I	P0[7]	Analog column mux input.
2	I/O	I/O	P0[5]	Analog column mux input and column output.
3	I/O	I/O	P0[3]	Analog column mux input and column output.
4	I/O	I	P0[1]	Analog column mux input.
5	I/O		P2[7]	
6	I/O		P2[5]	
7	I/O	I	P2[3]	Direct switched capacitor block input.
8	I/O	I	P2[1]	Direct switched capacitor block input.
9	Power		SMP	Switch Mode Pump (SMP) connection to external components required.
10	I/O		P1[7]	I2C Serial Clock (SCL).
11	I/O		P1[5]	I2C Serial Data (SDA).
12	I/O		P1[3]	
13	I/O		P1[1]	Crystal Input (XTALin), I2C Serial Clock (SCL), ISSP-SCLK*.
14	Power		Vss	Ground connection.
15	I/O		P1[0]	Crystal Output (XTALout), I2C Serial Data (SDA), ISSP-SDATA*.
16	I/O		P1[2]	
17	I/O		P1[4]	Optional External Clock Input (EXTCLK).
18	I/O		P1[6]	
19	Input		XRES	Active high external reset with internal pull down.
20	I/O	I	P2[0]	Direct switched capacitor block input.
21	I/O	I	P2[2]	Direct switched capacitor block input.
22	I/O		P2[4]	External Analog Ground (AGND).
23	I/O		P2[6]	External Voltage Reference (VRef).
24	I/O	I	P0[0]	Analog column mux input.
25	I/O	I/O	P0[2]	Analog column mux input and column output.
26	I/O	I/O	P0[4]	Analog column mux input and column output.
27	I/O	I	P0[6]	Analog column mux input.
28	Power		Vdd	Supply voltage.

**Figure 5. CY8C27443 28-Pin PSoC Device**



**LEGEND:** A = Analog, I = Input, and O = Output.

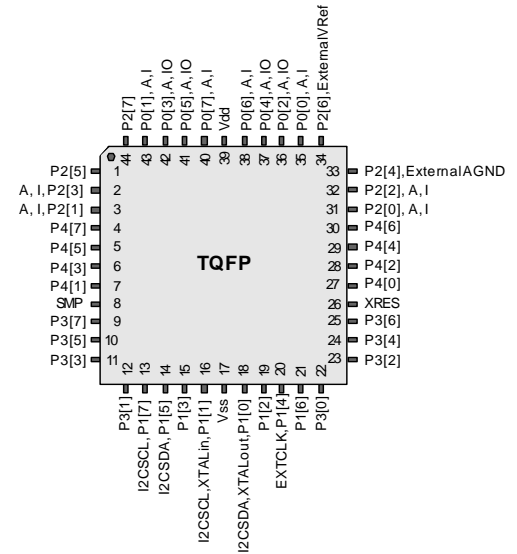
\* These are the ISSP pins, which are not High Z at POR (Power On Reset). See the *PSoC Programmable System-on-Chip Technical Reference Manual* for details.

**44-Pin Part Pinout**

**Table 6. Pin Definitions - 44-Pin TQFP**

Pin No.	Type		Pin Name	Description
	Digital	Analog		
1	I/O		P2[5]	
2	I/O	I	P2[3]	Direct switched capacitor block input.
3	I/O	I	P2[1]	Direct switched capacitor block input.
4	I/O		P4[7]	
5	I/O		P4[5]	
6	I/O		P4[3]	
7	I/O		P4[1]	
8	Power		SMP	Switch Mode Pump (SMP) connection to external components required.
9	I/O		P3[7]	
10	I/O		P3[5]	
11	I/O		P3[3]	
12	I/O		P3[1]	
13	I/O		P1[7]	I2C Serial Clock (SCL).
14	I/O		P1[5]	I2C Serial Data (SDA).
15	I/O		P1[3]	
16	I/O		P1[1]	Crystal Input (XTALin), I2C Serial Clock (SCL), ISSP-SCLK*.
17	Power		Vss	Ground connection.
18	I/O		P1[0]	Crystal Output (XTALout), I2C Serial Data (SDA), ISSP-SDATA*.
19	I/O		P1[2]	
20	I/O		P1[4]	Optional External Clock Input (EXTCLK).
21	I/O		P1[6]	
22	I/O		P3[0]	
23	I/O		P3[2]	
24	I/O		P3[4]	
25	I/O		P3[6]	
26	Input		XRES	Active high external reset with internal pull down.
27	I/O		P4[0]	
28	I/O		P4[2]	
29	I/O		P4[4]	
30	I/O		P4[6]	
31	I/O	I	P2[0]	Direct switched capacitor block input.
32	I/O	I	P2[2]	Direct switched capacitor block input.
33	I/O		P2[4]	External Analog Ground (AGND).
34	I/O		P2[6]	External Voltage Reference (VRef).
35	I/O	I	P0[0]	Analog column mux input.
36	I/O	I/O	P0[2]	Analog column mux input and column output.
37	I/O	I/O	P0[4]	Analog column mux input and column output.
38	I/O	I	P0[6]	Analog column mux input.
39	Power		Vdd	Supply voltage.
40	I/O	I	P0[7]	Analog column mux input.
41	I/O	I/O	P0[5]	Analog column mux input and column output.
42	I/O	I/O	P0[3]	Analog column mux input and column output.
43	I/O	I	P0[1]	Analog column mux input.
44	I/O		P2[7]	

**Figure 6. CY8C27543 44-Pin PSoC Device**



**LEGEND:** A = Analog, I = Input, and O = Output.

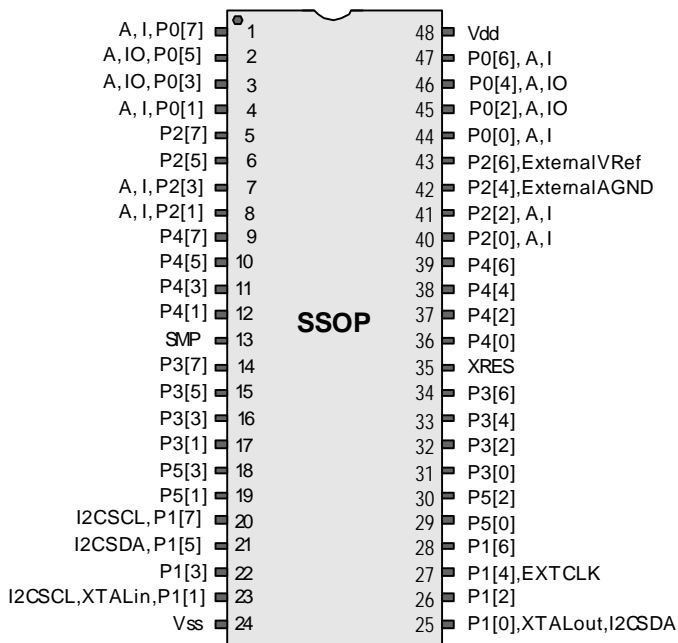
\* These are the ISSP pins, which are not High Z at POR (Power On Reset). See the *PSoC Programmable System-on-Chip Technical Reference Manual* for details.

**48-Pin Part Pinout**

**Table 7. 48-Pin Part Pinout (SSOP)**

Pin No.	Type		Pin Name	Description
	Digital	Analog		
1	I/O	I	P0[7]	Analog column mux input.
2	I/O	I/O	P0[5]	Analog column mux input and column output.
3	I/O	I/O	P0[3]	Analog column mux input and column output.
4	I/O	I	P0[1]	Analog column mux input.
5	I/O		P2[7]	
6	I/O		P2[5]	
7	I/O	I	P2[3]	Direct switched capacitor block input.
8	I/O	I	P2[1]	Direct switched capacitor block input.
9	I/O		P4[7]	
10	I/O		P4[5]	
11	I/O		P4[3]	
12	I/O		P4[1]	
13		Power	SMP	Switch Mode Pump (SMP) connection to external components required.
14	I/O		P3[7]	
15	I/O		P3[5]	
16	I/O		P3[3]	
17	I/O		P3[1]	
18	I/O		P5[3]	
19	I/O		P5[1]	
20	I/O		P1[7]	I2C Serial Clock (SCL).
21	I/O		P1[5]	I2C Serial Data (SDA).
22	I/O		P1[3]	
23	I/O		P1[1]	Crystal Input (XTALin), I2C Serial Clock (SCL), ISSP-SCLK*.
24		Power	Vss	Ground connection.
25	I/O		P1[0]	Crystal Output (XTALout), I2C Serial Data (SDA), ISSP-SDATA.*
26	I/O		P1[2]	
27	I/O		P1[4]	Optional External Clock Input (EXTCLK).
28	I/O		P1[6]	
29	I/O		P5[0]	
30	I/O		P5[2]	
31	I/O		P3[0]	
32	I/O		P3[2]	
33	I/O		P3[4]	
34	I/O		P3[6]	
35		Input	XRES	Active high external reset with internal pull down.
36	I/O		P4[0]	
37	I/O		P4[2]	
38	I/O		P4[4]	
39	I/O		P4[6]	
40	I/O	I	P2[0]	Direct switched capacitor block input.
41	I/O	I	P2[2]	Direct switched capacitor block input.
42	I/O		P2[4]	External Analog Ground (AGND).
43	I/O		P2[6]	External Voltage Reference (VRef).
44	I/O	I	P0[0]	Analog column mux input.
45	I/O	I/O	P0[2]	Analog column mux input and column output.
46	I/O	I/O	P0[4]	Analog column mux input and column output.
47	I/O	I	P0[6]	Analog column mux input.
48		Power	Vdd	Supply voltage.

**Figure 7. CY8C27643 48-Pin PSoC Device**



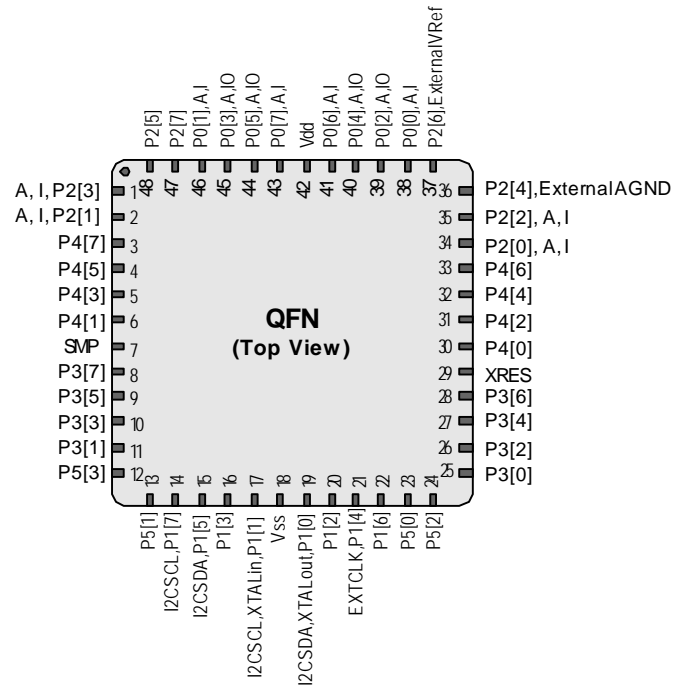
**LEGEND:** A = Analog, I = Input, and O = Output.

\* These are the ISSP pins, which are not High Z at POR (Power On Reset). See the *PSoC Mixed-Signal Array Technical Reference Manual* for details.

**Table 8. 48-Pin Part Pinout (QFN)\***

Pin No.	Type		Pin Name	Description
	Digital	Analog		
1	I/O	I	P2[3]	Direct switched capacitor block input.
2	I/O	I	P2[1]	Direct switched capacitor block input.
3	I/O		P4[7]	
4	I/O		P4[5]	
5	I/O		P4[3]	
6	I/O		P4[1]	
7	Power		SMP	Switch Mode Pump (SMP) connection to external components required.
8	I/O		P3[7]	
9	I/O		P3[5]	
10	I/O		P3[3]	
11	I/O		P3[1]	
12	I/O		P5[3]	
13	I/O		P5[1]	
14	I/O		P1[7]	I2C Serial Clock (SCL).
15	I/O		P1[5]	I2C Serial Data (SDA).
16	I/O		P1[3]	
17	I/O		P1[1]	Crystal Input (XTALin), I2C Serial Clock (SCL), ISSP-SCLK**.
18	Power		Vss	Ground connection.
19	I/O		P1[0]	Crystal Output (XTALout), I2C Serial Data (SDA), ISSP-SDATA**.
20	I/O		P1[2]	
21	I/O		P1[4]	Optional External Clock Input (EXTCLK).
22	I/O		P1[6]	
23	I/O		P5[0]	
24	I/O		P5[2]	
25	I/O		P3[0]	
26	I/O		P3[2]	
27	I/O		P3[4]	
28	I/O		P3[6]	
29	Input		XRES	Active high external reset with internal pull down.
30	I/O		P4[0]	
31	I/O		P4[2]	
32	I/O		P4[4]	
33	I/O		P4[6]	
34	I/O	I	P2[0]	Direct switched capacitor block input.
35	I/O	I	P2[2]	Direct switched capacitor block input.
36	I/O		P2[4]	External Analog Ground (AGND).
37	I/O		P2[6]	External Voltage Reference (VRef).
38	I/O	I	P0[0]	Analog column mux input.
39	I/O	I/O	P0[2]	Analog column mux input and column output.
40	I/O	I/O	P0[4]	Analog column mux input and column output.
41	I/O	I	P0[6]	Analog column mux input.
42	Power		Vdd	Supply voltage.
43	I/O	I	P0[7]	Analog column mux input.
44	I/O	I/O	P0[5]	Analog column mux input and column output.
45	I/O	I/O	P0[3]	Analog column mux input and column output.
46	I/O	I	P0[1]	Analog column mux input.
47	I/O		P2[7]	
48	I/O		P2[5]	

**Figure 8. CY8C27643 48-Pin PSoC Device**



**LEGEND:** A = Analog, I = Input, and O = Output.

\* The QFN package has a center pad that must be connected to ground (Vss).

\*\* These are the ISSP pins, which are not High Z at POR (Power On Reset). See the *PSoC Mixed-Signal Array Technical Reference Manual* for details.

**56-Pin Part Pinout**

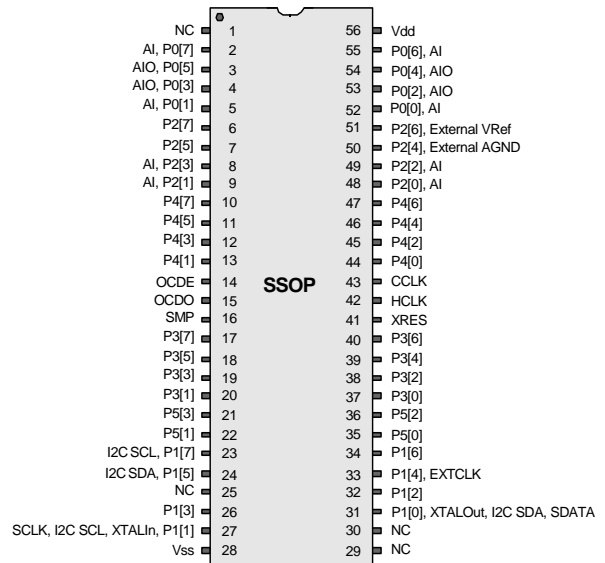
The 56-pin SSOP part is for the CY8C27002 On-Chip Debug (OCD) PSoC device.

**Note** This part is only used for in-circuit debugging. It is NOT available for production.

**Table 9. 56-Pin Part Pinout (SSOP)**

Pin No.	Type		Pin Name	Description
	Digital	Analog		
1			NC	No connection.
2	I/O	I	P0[7]	Analog column mux input.
3	I/O	I	P0[5]	Analog column mux input and column output.
4	I/O	I	P0[3]	Analog column mux input and column output.
5	I/O	I	P0[1]	Analog column mux input.
6	I/O		P2[7]	
7	I/O		P2[5]	
8	I/O	I	P2[3]	Direct switched capacitor block input.
9	I/O	I	P2[1]	Direct switched capacitor block input.
10	I/O		P4[7]	
11	I/O		P4[5]	
12	I/O	I	P4[3]	
13	I/O	I	P4[1]	
14	OCD		OCDE	OCD even data I/O.
15	OCD		OCDO	OCD odd data output.
16	Power		SMP	Switch Mode Pump (SMP) connection to required external components.
17	I/O		P3[7]	
18	I/O		P3[5]	
19	I/O		P3[3]	
20	I/O		P3[1]	
21	I/O		P5[3]	
22	I/O		P5[1]	
23	I/O		P1[7]	I2C Serial Clock (SCL).
24	I/O		P1[5]	I2C Serial Data (SDA).
25			NC	No connection.
26	I/O		P1[3]	
27	I/O		P1[1]	Crystal Input (XTALin), I2C Serial Clock (SCL), ISSP-SCLK*.
28	Power		Vdd	Supply voltage.
29			NC	No connection.
30			NC	No connection..
31	I/O		P1[0]	Crystal Output (XTALout), I2C Serial Data (SDA), ISSP-SDATA*.
32	I/O		P1[2]	
33	I/O		P1[4]	Optional External Clock Input (EXTCLK).
34	I/O		P1[6]	
35	I/O		P5[0]	
36	I/O		P5[2]	
37	I/O		P3[0]	
38	I/O		P3[2]	
39	I/O		P3[4]	
40	I/O		P3[6]	

**Figure 9. CY8C27002 56-Pin PSoC Device**



**Not for Production**



Table 9. 56-Pin Part Pinout (SSOP)

Pin No.	Type		Pin Name	Description
	Digital	Analog		
42	OCD		HCLK	OCD high-speed clock output.
43	OCD		CCLK	OCD CPU clock output.
44	I/O		P4[0]	
45	I/O		P4[2]	
46	I/O		P4[4]	
47	I/O		P4[6]	
48	I/O	I	P2[0]	Direct switched capacitor block input.
49	I/O	I	P2[2]	Direct switched capacitor block input.
50	I/O		P2[4]	External Analog Ground (AGND).
51	I/O		P2[6]	External Voltage Reference (VRef).
52	I/O	I	P0[0]	Analog column mux input.
53	I/O	I	P0[2]	Analog column mux input and column output.
54	I/O	I	P0[4]	Analog column mux input and column output.
55	I/O	I	P0[6]	Analog column mux input.
56	Power		Vdd	Supply voltage.

**LEGEND:** A = Analog, I = Input, O = Output, and OCD = On-Chip Debug.

\* These are the ISSP pins, which are not High Z at POR (Power On Reset). See the *PSoC Mixed-Signal Array Technical Reference Manual* for details.

## Register Reference

This chapter lists the registers of the CY8C27x43 PSoC device. For detailed register information, reference the *PSoC Programmable System-on-Chip Technical Reference Manual*.

### Register Conventions

The register conventions specific to this section are listed in the following table.

**Table 10. Register Conventions**

Convention	Description
R	Read register or bit(s)
W	Write register or bit(s)
L	Logical register or bit(s)
C	Clearable register or bit(s)
#	Access is bit specific

## Register Mapping Tables

The PSoC device has a total register address space of 512 bytes. The register space is referred to as I/O space and is divided into two banks. The XO1 bit in the Flag register (CPU\_F) determines which bank the user is currently in. When the XO1 bit is set the user is in Bank 1.

**Note** In the following register mapping tables, blank fields are reserved and must not be accessed.

**Table 11. Register Map Bank 0 Table: User Space**

Name	Addr (0,Hex)	Access	Name	Addr (0,Hex)	Access	Name	Addr (0,Hex)	Access	Name	Addr (0,Hex)	Access
PRT0DR	00	RW		40		ASC10CR0	80	RW		C0	
PRT0IE	01	RW		41		ASC10CR1	81	RW		C1	
PRT0GS	02	RW		42		ASC10CR2	82	RW		C2	
PRT0DM2	03	RW		43		ASC10CR3	83	RW		C3	
PRT1DR	04	RW		44		ASD11CR0	84	RW		C4	
PRT1IE	05	RW		45		ASD11CR1	85	RW		C5	
PRT1GS	06	RW		46		ASD11CR2	86	RW		C6	
PRT1DM2	07	RW		47		ASD11CR3	87	RW		C7	
PRT2DR	08	RW		48		ASC12CR0	88	RW		C8	
PRT2IE	09	RW		49		ASC12CR1	89	RW		C9	
PRT2GS	0A	RW		4A		ASC12CR2	8A	RW		CA	
PRT2DM2	0B	RW		4B		ASC12CR3	8B	RW		CB	
PRT3DR	0C	RW		4C		ASD13CR0	8C	RW		CC	
PRT3IE	0D	RW		4D		ASD13CR1	8D	RW		CD	
PRT3GS	0E	RW		4E		ASD13CR2	8E	RW		CE	
PRT3DM2	0F	RW		4F		ASD13CR3	8F	RW		CF	
PRT4DR	10	RW		50		ASD20CR0	90	RW		D0	
PRT4IE	11	RW		51		ASD20CR1	91	RW		D1	
PRT4GS	12	RW		52		ASD20CR2	92	RW		D2	
PRT4DM2	13	RW		53		ASD20CR3	93	RW		D3	
PRT5DR	14	RW		54		ASC21CR0	94	RW		D4	
PRT5IE	15	RW		55		ASC21CR1	95	RW		D5	
PRT5GS	16	RW		56		ASC21CR2	96	RW	I2C_CFG	D6	RW
PRT5DM2	17	RW		57		ASC21CR3	97	RW	I2C_SCR	D7	#
	18			58		ASD22CR0	98	RW	I2C_DR	D8	RW
	19			59		ASD22CR1	99	RW	I2C_MSCR	D9	#
	1A			5A		ASD22CR2	9A	RW	INT_CLR0	DA	RW
	1B			5B		ASD22CR3	9B	RW	INT_CLR1	DB	RW
	1C			5C		ASC23CR0	9C	RW		DC	
	1D			5D		ASC23CR1	9D	RW	INT_CLR3	DD	RW
	1E			5E		ASC23CR2	9E	RW	INT_MSK3	DE	RW
	1F			5F		ASC23CR3	9F	RW		DF	
DBB00DR0	20	#	AMX_IN	60	RW		A0		INT_MSK0	E0	RW
DBB00DR1	21	W		61			A1		INT_MSK1	E1	RW
DBB00DR2	22	RW		62			A2		INT_VC	E2	RC
DBB00CR0	23	#	ARF_CR	63	RW		A3		RES_WDT	E3	W
DBB01DR0	24	#	CMP_CR0	64	#		A4		DEC_DH	E4	RC
DBB01DR1	25	W	ASY_CR	65	#		A5		DEC_DL	E5	RC

Blank fields are Reserved and must not be accessed.

# Access is bit specific.

**Table 11. Register Map Bank 0 Table: User Space (continued)**

Name	Addr (0,Hex)	Access	Name	Addr (0,Hex)	Access	Name	Addr (0,Hex)	Access	Name	Addr (0,Hex)	Access
DBB01DR2	26	RW	CMP_CR1	66	RW		A6		DEC_CR0	E6	RW
DBB01CR0	27	#		67			A7		DEC_CR1	E7	RW
DCB02DR0	28	#		68			A8		MUL_X	E8	W
DCB02DR1	29	W		69			A9		MUL_Y	E9	W
DCB02DR2	2A	RW		6A			AA		MUL_DH	EA	R
DCB02CR0	2B	#		6B			AB		MUL_DL	EB	R
DCB03DR0	2C	#		6C			AC		ACC_DR1	EC	RW
DCB03DR1	2D	W		6D			AD		ACC_DR0	ED	RW
DCB03DR2	2E	RW		6E			AE		ACC_DR3	EE	RW
DCB03CR0	2F	#		6F			AF		ACC_DR2	EF	RW
DBB10DR0	30	#	ACB00CR3	70	RW	RD10RI	B0	RW		F0	
DBB10DR1	31	W	ACB00CR0	71	RW	RD10SYN	B1	RW		F1	
DBB10DR2	32	RW	ACB00CR1	72	RW	RD10IS	B2	RW		F2	
DBB10CR0	33	#	ACB00CR2	73	RW	RD10LT0	B3	RW		F3	
DBB11DR0	34	#	ACB01CR3	74	RW	RD10LT1	B4	RW		F4	
DBB11DR1	35	W	ACB01CR0	75	RW	RD10RO0	B5	RW		F5	
DBB11DR2	36	RW	ACB01CR1	76	RW	RD10RO1	B6	RW		F6	
DBB11CR0	37	#	ACB01CR2	77	RW		B7		CPU_F	F7	RL
DCB12DR0	38	#	ACB02CR3	78	RW	RD11RI	B8	RW		F8	
DCB12DR1	39	W	ACB02CR0	79	RW	RD11SYN	B9	RW		F9	
DCB12DR2	3A	RW	ACB02CR1	7A	RW	RD11IS	BA	RW		FA	
DCB12CR0	3B	#	ACB02CR2	7B	RW	RD11LT0	BB	RW		FB	
DCB13DR0	3C	#	ACB03CR3	7C	RW	RD11LT1	BC	RW		FC	
DCB13DR1	3D	W	ACB03CR0	7D	RW	RD11RO0	BD	RW		FD	
DCB13DR2	3E	RW	ACB03CR1	7E	RW	RD11RO1	BE	RW	CPU_SCR1	FE	#
DCB13CR0	3F	#	ACB03CR2	7F	RW		BF		CPU_SCR0	FF	#

Blank fields are Reserved and must not be accessed.

# Access is bit specific.

**Table 12. Register Map Bank 1 Table: Configuration Space**

Name	Addr (1,Hex)	Access	Name	Addr (1,Hex)	Access	Name	Addr (1,Hex)	Access	Name	Addr (1,Hex)	Access
PRT0DM0	00	RW		40		ASC10CR0	80	RW		C0	
PRT0DM1	01	RW		41		ASC10CR1	81	RW		C1	
PRT0IC0	02	RW		42		ASC10CR2	82	RW		C2	
PRT0IC1	03	RW		43		ASC10CR3	83	RW		C3	
PRT1DM0	04	RW		44		ASD11CR0	84	RW		C4	
PRT1DM1	05	RW		45		ASD11CR1	85	RW		C5	
PRT1IC0	06	RW		46		ASD11CR2	86	RW		C6	
PRT1IC1	07	RW		47		ASD11CR3	87	RW		C7	
PRT2DM0	08	RW		48		ASC12CR0	88	RW		C8	
PRT2DM1	09	RW		49		ASC12CR1	89	RW		C9	
PRT2IC0	0A	RW		4A		ASC12CR2	8A	RW		CA	
PRT2IC1	0B	RW		4B		ASC12CR3	8B	RW		CB	
PRT3DM0	0C	RW		4C		ASD13CR0	8C	RW		CC	
PRT3DM1	0D	RW		4D		ASD13CR1	8D	RW		CD	
PRT3IC0	0E	RW		4E		ASD13CR2	8E	RW		CE	
PRT3IC1	0F	RW		4F		ASD13CR3	8F	RW		CF	
PRT4DM0	10	RW		50		ASD20CR0	90	RW	GDI_O_IN	D0	RW
PRT4DM1	11	RW		51		ASD20CR1	91	RW	GDI_E_IN	D1	RW
PRT4IC0	12	RW		52		ASD20CR2	92	RW	GDI_O_OU	D2	RW
PRT4IC1	13	RW		53		ASD20CR3	93	RW	GDI_E_OU	D3	RW
PRT5DM0	14	RW		54		ASC21CR0	94	RW		D4	
PRT5DM1	15	RW		55		ASC21CR1	95	RW		D5	
PRT5IC0	16	RW		56		ASC21CR2	96	RW		D6	
PRT5IC1	17	RW		57		ASC21CR3	97	RW		D7	
	18			58		ASD22CR0	98	RW		D8	
	19			59		ASD22CR1	99	RW		D9	
	1A			5A		ASD22CR2	9A	RW		DA	
	1B			5B		ASD22CR3	9B	RW		DB	

Blank fields are Reserved and must not be accessed.

# Access is bit specific.

**Table 12. Register Map Bank 1 Table: Configuration Space (continued)**

Name	Addr (1,Hex)	Access	Name	Addr (1,Hex)	Access	Name	Addr (1,Hex)	Access	Name	Addr (1,Hex)	Access
	1C			5C		ASC23CR0	9C	RW		DC	
	1D			5D		ASC23CR1	9D	RW	OSC_GO_EN	DD	RW
	1E			5E		ASC23CR2	9E	RW	OSC_CR4	DE	RW
	1F			5F		ASC23CR3	9F	RW	OSC_CR3	DF	RW
DBB00FN	20	RW	CLK_CR0	60	RW		A0		OSC_CR0	E0	RW
DBB00IN	21	RW	CLK_CR1	61	RW		A1		OSC_CR1	E1	RW
DBB00OU	22	RW	ABF_CR0	62	RW		A2		OSC_CR2	E2	RW
	23		AMD_CR0	63	RW		A3		VLT_CR	E3	RW
DBB01FN	24	RW		64			A4		VLT_CMP	E4	R
DBB01IN	25	RW		65			A5			E5	
DBB01OU	26	RW	AMD_CR1	66	RW		A6			E6	
	27		ALT_CR0	67	RW		A7			E7	
DCB02FN	28	RW	ALT_CR1	68	RW		A8		IMO_TR	E8	W
DCB02IN	29	RW	CLK_CR2	69	RW		A9		ILO_TR	E9	W
DCB02OU	2A	RW		6A			AA		BDG_TR	EA	RW
				6B			AB		ECO_TR	EB	W
DCB03FN	2C	RW		6C			AC			EC	
DCB03IN	2D	RW		6D			AD			ED	
DCB03OU	2E	RW		6E			AE			EE	
	2F			6F			AF			EF	
DBB10FN	30	RW	ACB00CR3	70	RW	RD10RI	B0	RW		F0	
DBB10IN	31	RW	ACB00CR0	71	RW	RD10SYN	B1	RW		F1	
DBB10OU	32	RW	ACB00CR1	72	RW	RD10IS	B2	RW		F2	
	33		ACB00CR2	73	RW	RD10LT0	B3	RW		F3	
DBB11FN	34	RW	ACB01CR3	74	RW	RD10LT1	B4	RW		F4	
DBB11IN	35	RW	ACB01CR0	75	RW	RD10RO0	B5	RW		F5	
DBB11OU	36	RW	ACB01CR1	76	RW	RD10RO1	B6	RW		F6	
	37		ACB01CR2	77	RW		B7		CPU_F	F7	RL
DCB12FN	38	RW	ACB02CR3	78	RW	RD11RI	B8	RW		F8	
DCB12IN	39	RW	ACB02CR0	79	RW	RD11SYN	B9	RW		F9	
DCB12OU	3A	RW	ACB02CR1	7A	RW	RD11IS	BA	RW		FA	
	3B		ACB02CR2	7B	RW	RD11LT0	BB	RW		FB	
DCB13FN	3C	RW	ACB03CR3	7C	RW	RD11LT1	BC	RW		FC	
DCB13IN	3D	RW	ACB03CR0	7D	RW	RD11RO0	BD	RW		FD	
DCB13OU	3E	RW	ACB03CR1	7E	RW	RD11RO1	BE	RW	CPU_SCR1	FE	#
	3F		ACB03CR2	7F	RW		BF		CPU_SCR0	FF	#

Blank fields are Reserved and must not be accessed.

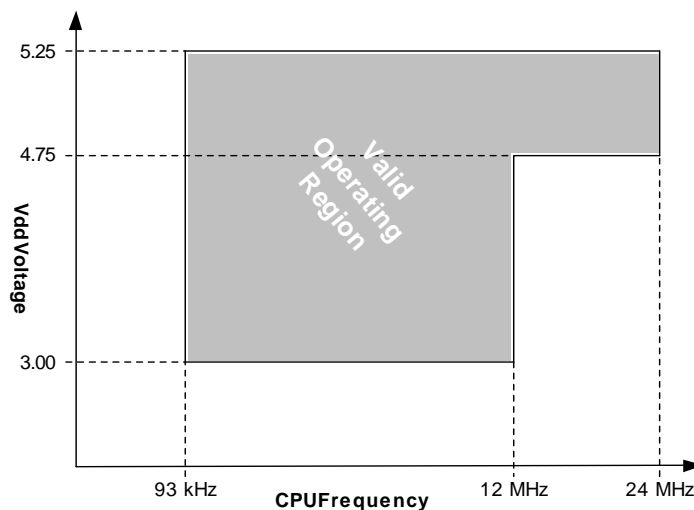
# Access is bit specific.

## Electrical Specifications

This chapter presents the DC and AC electrical specifications of the CY8C27x43 PSoC device. For the most up to date electrical specifications, confirm that you have the most recent data sheet by going to the web at <http://www.cypress.com>.

Specifications are valid for  $-40^{\circ}\text{C} \leq T_A \leq 85^{\circ}\text{C}$  and  $T_J \leq 100^{\circ}\text{C}$ , except where noted. Specifications for devices running at greater than 12 MHz are valid for  $-40^{\circ}\text{C} \leq T_A \leq 70^{\circ}\text{C}$  and  $T_J \leq 82^{\circ}\text{C}$ .

**Figure 10. Voltage versus CPU Frequency**



The following table lists the units of measure that are used in this chapter.

**Table 13. Units of Measure**

Symbol	Unit of Measure	Symbol	Unit of Measure
$^{\circ}\text{C}$	degree Celsius	$\mu\text{W}$	microwatts
dB	decibels	mA	milli-ampere
fF	femto farad	ms	milli-second
Hz	hertz	mV	milli-volts
KB	1024 bytes	nA	nanoampere
Kbit	1024 bits	ns	nanosecond
kHz	kilohertz	nV	nanovolts
$k\Omega$	kilohm	W	ohm
MHz	megahertz	pA	picoampere
$M\Omega$	megaohm	pF	picofarad
$\mu\text{A}$	microampere	pp	peak-to-peak
$\mu\text{F}$	microfarad	ppm	parts per million
$\mu\text{H}$	microhenry	ps	picosecond
$\mu\text{s}$	microsecond	sps	samples per second
$\mu\text{V}$	microvolts	s	sigma: one standard deviation
$\mu\text{V}_{\text{rms}}$	microvolts root-mean-square	V	volts

## Absolute Maximum Ratings

Exceeding maximum ratings may shorten the useful life of the device. User guidelines are not tested.

**Table 14. Absolute Maximum Ratings**

Symbol	Description	Min	Typ	Max	Unit	Notes
T <sub>STG</sub>	Storage Temperature	-55	25	+100	°C	Higher storage temperatures reduce data retention time. Recommended storage temperature is +25°C ±25°C. Extended duration storage temperatures above 65°C degrade reliability.
T <sub>BAKETEMP</sub>	Bake Temperature	-	125	See package label	°C	
T <sub>BAKETIME</sub>	Bake Time	See package label	-	72	Hours	
T <sub>A</sub>	Ambient Temperature with Power Applied	-40	-	+85	°C	
V <sub>d</sub>	Supply Voltage on V <sub>dd</sub> Relative to V <sub>ss</sub>	-0.5	-	+6.0	V	
V <sub>IO</sub>	DC Input Voltage	V <sub>ss</sub> - 0.5	-	V <sub>dd</sub> + 0.5	V	
V <sub>IOZ</sub>	DC Voltage Applied to Tristate	V <sub>ss</sub> - 0.5	-	V <sub>dd</sub> + 0.5	V	
I <sub>MIO</sub>	Maximum Current into any Port Pin	-25	-	+50	mA	
I <sub>MAIO</sub>	Maximum Current into any Port Pin Configured as Analog Driver	-50	-	+50	mA	
ESD	Electro Static Discharge Voltage	2000	-	-	V	Human Body Model ESD.
LU	Latch up Current	-	-	200	mA	

## Operating Temperature

**Table 15. Operating Temperature**

Symbol	Description	Min	Typ	Max	Unit	Notes
T <sub>A</sub>	Ambient Temperature	-40	-	+85	°C	
T <sub>J</sub>	Junction Temperature	-40	-	+100	°C	The temperature rise from ambient to junction is package specific. See " <a href="#">Thermal Impedances</a> " on page 48. The user must limit the power consumption to comply with this requirement.



## DC Electrical Characteristics

### DC Chip-Level Specifications

The following table lists guaranteed maximum and minimum specifications for the voltage and temperature ranges: 4.75V to 5.25V and  $-40^{\circ}\text{C} \leq T_A \leq 85^{\circ}\text{C}$ , or 3.0V to 3.6V and  $-40^{\circ}\text{C} \leq T_A \leq 85^{\circ}\text{C}$ , respectively. Typical parameters apply to 5V and 3.3V at 25°C and are for design guidance only.

**Table 16. DC Chip-Level Specifications**

Symbol	Description	Min	Typ	Max	Unit	Notes
V <sub>DD</sub>	Supply Voltage	3.00	–	5.25	V	
I <sub>DD</sub>	Supply Current	–	5	8	mA	Conditions are V <sub>DD</sub> = 5.0V, T <sub>A</sub> = 25 °C, CPU = 3 MHz, SYSCLK doubler disabled. VC1 = 1.5 MHz, VC2 = 93.75 kHz, VC3 = 93.75 kHz.
I <sub>DD3</sub>	Supply Current	–	3.3	6.0	mA	Conditions are V <sub>DD</sub> = 3.3V, T <sub>A</sub> = 25 °C, CPU = 3 MHz, SYSCLK doubler disabled. VC1 = 1.5 MHz, VC2 = 93.75 kHz, VC3 = 93.75 kHz.
I <sub>SB</sub>	Sleep (Mode) Current with POR, LVD, Sleep Timer, and WDT. <sup>[3]</sup>	–	3	6.5	μA	Conditions are with internal slow speed oscillator, V <sub>DD</sub> = 3.3V, $-40^{\circ}\text{C} \leq T_A \leq 55^{\circ}\text{C}$ .
I <sub>SBH</sub>	Sleep (Mode) Current with POR, LVD, Sleep Timer, and WDT at high temperature. <sup>[3]</sup>	–	4	25	μA	Conditions are with internal slow speed oscillator, V <sub>DD</sub> = 3.3V, $55^{\circ}\text{C} < T_A \leq 85^{\circ}\text{C}$ .
I <sub>SBXTL</sub>	Sleep (Mode) Current with POR, LVD, Sleep Timer, WDT, and external crystal. <sup>[3]</sup>	–	4	7.5	μA	Conditions are with properly loaded, 1 μW max, 32.768 kHz crystal. V <sub>DD</sub> = 3.3V, $-40^{\circ}\text{C} \leq T_A \leq 55^{\circ}\text{C}$ .
I <sub>SBXTLH</sub>	Sleep (Mode) Current with POR, LVD, Sleep Timer, WDT, and external crystal at high temperature. <sup>[3]</sup>	–	5	26	μA	Conditions are with properly loaded, 1 μW max, 32.768 kHz crystal. V <sub>DD</sub> = 3.3V, $55^{\circ}\text{C} < T_A \leq 85^{\circ}\text{C}$ .
V <sub>REF</sub>	Reference Voltage (Bandgap) for Silicon A <sup>[4]</sup>	1.275	1.300	1.325	V	Trimmed for appropriate V <sub>DD</sub> .
V <sub>REF</sub>	Reference Voltage (Bandgap) for Silicon B <sup>[4]</sup>	1.280	1.300	1.320	V	Trimmed for appropriate V <sub>DD</sub> .

### DC General Purpose I/O Specifications

The following table lists guaranteed maximum and minimum specifications for the voltage and temperature ranges: 4.75V to 5.25V and  $-40^{\circ}\text{C} \leq T_A \leq 85^{\circ}\text{C}$ , or 3.0V to 3.6V and  $-40^{\circ}\text{C} \leq T_A \leq 85^{\circ}\text{C}$ , respectively. Typical parameters apply to 5V and 3.3V at 25°C and are for design guidance only.

**Table 17. DC GPIO Specifications**

Symbol	Description	Min	Typ	Max	Unit	Notes
R <sub>PU</sub>	Pull up Resistor	4	5.6	8	kΩ	
R <sub>PD</sub>	Pull down Resistor	4	5.6	8	kΩ	
V <sub>OH</sub>	High Output Level	V <sub>DD</sub> - 1.0	–	–	V	I <sub>OH</sub> = 10 mA, V <sub>DD</sub> = 4.75 to 5.25V (8 total loads, 4 on even port pins (for example, P0[2], P1[4]), 4 on odd port pins (for example, P0[3], P1[5])).
V <sub>OL</sub>	Low Output Level	–	–	0.75	V	I <sub>OL</sub> = 25 mA, V <sub>DD</sub> = 4.75 to 5.25V (8 total loads, 4 on even port pins (for example, P0[2], P1[4]), 4 on odd port pins (for example, P0[3], P1[5])).

#### Notes

- Standby current includes all functions (POR, LVD, WDT, Sleep Time) needed for reliable system operation. This must be compared with devices that have similar functions enabled.
- Refer to the ["Ordering Information"](#) on page 51.

**Table 17. DC GPIO Specifications (continued)**

Symbol	Description	Min	Typ	Max	Unit	Notes
I <sub>OH</sub>	High Level Source Current	10	–	–	mA	V <sub>OH</sub> = V <sub>dd</sub> -1.0V, see the limitations of the total current in the note for V <sub>OH</sub>
I <sub>OL</sub>	Low Level Sink Current	25	–	–	mA	V <sub>OL</sub> = 0.75V, see the limitations of the total current in the note for V <sub>OL</sub>
V <sub>IL</sub>	Input Low Level	–	–	0.8	V	V <sub>dd</sub> = 3.0 to 5.25
V <sub>IH</sub>	Input High Level	2.1	–	–	V	V <sub>dd</sub> = 3.0 to 5.25
V <sub>H</sub>	Input Hysteresis	–	60	–	mV	
I <sub>IL</sub>	Input Leakage (Absolute Value)	–	1	–	nA	Gross tested to 1 μA.
C <sub>IN</sub>	Capacitive Load on Pins as Input	–	3.5	10	pF	Package and pin dependent. Temp = 25°C.
C <sub>OUT</sub>	Capacitive Load on Pins as Output	–	3.5	10	pF	Package and pin dependent. Temp = 25°C.

*DC Operational Amplifier Specifications*

The following tables list guaranteed maximum and minimum specifications for the voltage and temperature ranges: 4.75V to 5.25V and -40°C ≤ T<sub>A</sub> ≤ 85°C, or 3.0V to 3.6V and -40°C ≤ T<sub>A</sub> ≤ 85°C, respectively. Typical parameters apply to 5V and 3.3V at 25°C and are for design guidance only.

The Operational Amplifier is a component of both the Analog Continuous Time PSoC blocks and the Analog Switched Cap PSoC blocks. The guaranteed specifications are measured in the Analog Continuous Time PSoC block. Typical parameters apply to 5V at 25°C and are for design guidance only.

**Table 18. 5V DC Operational Amplifier Specifications**

Symbol	Description	Min	Typ	Max	Unit	Notes
V <sub>OSOA</sub>	Input Offset Voltage (absolute value)	–	1.6	10	mV	
	Power = Low, Opamp Bias = High	–	1.3	8	mV	
	Power = High, Opamp Bias = High	–	1.2	7.5	mV	
TCV <sub>OSOA</sub>	Average Input Offset Voltage Drift	–	7.0	35.0	μV/°C	
I <sub>EBOA</sub>	Input Leakage Current (Port 0 Analog Pins)	–	20	–	pA	Gross tested to 1 μA.
C <sub>INOA</sub>	Input Capacitance (Port 0 Analog Pins)	–	4.5	9.5	pF	Package and pin dependent. Temp = 25°C.
V <sub>CMOA</sub>	Common Mode Voltage Range	0.0	–	V <sub>dd</sub>	V	The common-mode input voltage range is measured through an analog output buffer. The specification includes the limitations imposed by the characteristics of the analog output buffer.
	Common Mode Voltage Range (high power or high opamp bias)	0.5	–	V <sub>dd</sub> - 0.5	V	
CMRR <sub>OA</sub>	Common Mode Rejection Ratio	–	–	–	dB	Specification is applicable at high power. For all other bias modes (except high power, high opamp bias), minimum is 60 dB.
	Power = Low	60	–	–	dB	
	Power = High	60	–	–	dB	
G <sub>OLOA</sub>	Open Loop Gain	–	–	–	dB	Specification is applicable at high power. For all other bias modes (except high power, high opamp bias), minimum is 60 dB.
	Power = Low	60	–	–	dB	
	Power = High	80	–	–	dB	
V <sub>OHIGHOA</sub>	High Output Voltage Swing (internal signals)	–	–	–	V	
	Power = Low	V <sub>dd</sub> - 0.2	–	–	V	
	Power = High	V <sub>dd</sub> - 0.5	–	–	V	
V <sub>OLOWOA</sub>	Low Output Voltage Swing (internal signals)	–	–	–	V	
	Power = Low	–	–	0.2	V	
	Power = High	–	–	0.5	V	

**Table 18. 5V DC Operational Amplifier Specifications** (continued)

Symbol	Description	Min	Typ	Max	Unit	Notes
I <sub>SOA</sub>	Supply Current (including associated AGND buffer)	–	150	200	μA	
	Power = Low, Opamp Bias = Low	–	300	400	μA	
	Power = Low, Opamp Bias = High	–	600	800	μA	
	Power = Medium, Opamp Bias = Low	–	1200	1600	μA	
	Power = Medium, Opamp Bias = High	–	2400	3200	μA	
	Power = High, Opamp Bias = Low	–	4600	6400	μA	
	Power = High, Opamp Bias = High	–	4600	6400	μA	
PSRR <sub>OA</sub>	Supply Voltage Rejection Ratio	60	–	–	dB	V <sub>SS</sub> ≤ V <sub>IN</sub> ≤ (V <sub>DD</sub> - 2.25) or (V <sub>DD</sub> - 1.25V) ≤ V <sub>IN</sub> ≤ V <sub>DD</sub> .

**Table 19. 3.3V DC Operational Amplifier Specifications**

Symbol	Description	Min	Typ	Max	Unit	Notes
V <sub>OSOA</sub>	Input Offset Voltage (absolute value)	–	1.65	10	mV	
	Power = Low, Opamp Bias = High	–	1.32	8	mV	
	Power = Medium, Opamp Bias = High High Power is 5 Volts Only	–	–	–	–	
TCV <sub>OSOA</sub>	Average Input Offset Voltage Drift	–	7.0	35.0	μV/°C	
I <sub>EBOA</sub>	Input Leakage Current (Port 0 Analog Pins)	–	20	–	pA	Gross tested to 1 μA.
C <sub>INOA</sub>	Input Capacitance (Port 0 Analog Pins)	–	4.5	9.5	pF	Package and pin dependent. Temp = 25°C.
V <sub>CMOA</sub>	Common Mode Voltage Range	0.2	–	V <sub>DD</sub> - 0.2	V	The common-mode input voltage range is measured through an analog output buffer. The specification includes the limitations imposed by the characteristics of the analog output buffer.
CMRR <sub>OA</sub>	Common Mode Rejection Ratio	–	–	–	–	–
	Power = Low	50	–	–	dB	Specification is applicable at high power. For all other bias modes (except high power, high opamp bias), minimum is 60 dB.
	Power = Medium	50	–	–	dB	
Power = High	50	–	–	dB		
G <sub>OLOA</sub>	Open Loop Gain	–	–	–	–	Specification is applicable at high power. For all other bias modes (except high power, high opamp bias), minimum is 60 dB.
	Power = Low	60	–	–	dB	
	Power = Medium Power = High	60 80	– –	– –	dB dB	
V <sub>OHIGHOA</sub>	High Output Voltage Swing (internal signals)	–	–	–	–	
	Power = Low	V <sub>DD</sub> - 0.2	–	–	V	
	Power = Medium Power = High is 5V only	V <sub>DD</sub> - 0.2 V <sub>DD</sub> - 0.2	– –	– –	V V	

**Table 19. 3.3V DC Operational Amplifier Specifications (continued)**

Symbol	Description	Min	Typ	Max	Unit	Notes
V <sub>OLOWOA</sub>	Low Output Voltage Swing (internal signals)					
	Power = Low	–	–	0.2	V	
	Power = Medium	–	–	0.2	V	
	Power = High	–	–	0.2	V	
I <sub>SOA</sub>	Supply Current (including associated AGND buffer)					
	Power = Low, Opamp Bias = Low	–	150	200	μA	
	Power = Low, Opamp Bias = High	–	300	400	μA	
	Power = Medium, Opamp Bias = Low	–	600	800	μA	
	Power = Medium, Opamp Bias = High	–	1200	1600	μA	
	Power = High, Opamp Bias = Low	–	2400	3200	μA	
	Power = High, Opamp Bias = High	–	4600	6400	μA	
PSRR <sub>OA</sub>	Supply Voltage Rejection Ratio	50	80	–	dB	V <sub>SS</sub> ≤ VIN ≤ (V <sub>DD</sub> - 2.25) or (V <sub>DD</sub> - 1.25V) ≤ VIN ≤ V <sub>DD</sub> .

*DC Low Power Comparator Specifications*

The following table lists guaranteed maximum and minimum specifications for the voltage and temperature ranges: 4.75V to 5.25V and -40°C ≤ T<sub>A</sub> ≤ 85°C, 3.0V to 3.6V and -40°C ≤ T<sub>A</sub> ≤ 85°C, or 2.4V to 3.0V and -40°C ≤ T<sub>A</sub> ≤ 85°C, respectively. Typical parameters apply to 5V at 25°C and are for design guidance only.

**Table 20. DC Low Power Comparator Specifications**

Symbol	Description	Min	Typ	Max	Unit
V <sub>REFLPC</sub>	Low power comparator (LPC) reference voltage range	0.2	–	V <sub>DD</sub> - 1	V
I <sub>SLPC</sub>	LPC supply current	–	10	40	μA
V <sub>OSLPC</sub>	LPC voltage offset	–	2.5	30	mV

*DC Analog Output Buffer Specifications*

The following tables list guaranteed maximum and minimum specifications for the voltage and temperature ranges: 4.75V to 5.25V and -40°C ≤ T<sub>A</sub> ≤ 85°C, or 3.0V to 3.6V and -40°C ≤ T<sub>A</sub> ≤ 85°C, respectively. Typical parameters apply to 5V and 3.3V at 25°C and are for design guidance only.

**Table 21. 5V DC Analog Output Buffer Specifications**

Symbol	Description	Min	Typ	Max	Unit
V <sub>OSOB</sub>	Input Offset Voltage (Absolute Value)	–	3	12	mV
TCV <sub>OSOB</sub>	Average Input Offset Voltage Drift	–	+6	–	μV/°C
V <sub>CMOB</sub>	Common-Mode Input Voltage Range	0.5	–	V <sub>DD</sub> - 1.0	V
R <sub>OUTOB</sub>	Output Resistance				
	Power = Low	–	1	–	W
	Power = High	–	1	–	W
V <sub>OHIGHOB</sub>	High Output Voltage Swing (Load = 32 ohms to V <sub>DD</sub> /2)				
	Power = Low	0.5 x V <sub>DD</sub> + 1.3	–	–	V
	Power = High	0.5 x V <sub>DD</sub> + 1.3	–	–	V
V <sub>OLOWOB</sub>	Low Output Voltage Swing (Load = 32 ohms to V <sub>DD</sub> /2)				
	Power = Low	–	–	0.5 x V <sub>DD</sub> - 1.3	V
	Power = High	–	–	0.5 x V <sub>DD</sub> - 1.3	V
I <sub>SOB</sub>	Supply Current Including Bias Cell (No Load)				
	Power = Low	–	1.1	5.1	mA
	Power = High	–	2.6	8.8	mA
PSRR <sub>OB</sub>	Supply Voltage Rejection Ratio	60	64	–	dB
I <sub>OMAX</sub>	Maximum Output Current	–	40	–	mA

**Table 22. 3.3V DC Analog Output Buffer Specifications**

Symbol	Description	Min	Typ	Max	Units
V <sub>OSOB</sub>	Input Offset Voltage (Absolute Value)	–	3	12	mV
TCV <sub>OSOB</sub>	Average Input Offset Voltage Drift	–	+6	–	μV/°C
V <sub>CMOB</sub>	Common-Mode Input Voltage Range	0.5	-	V <sub>DD</sub> - 1.0	V
R <sub>OUTOB</sub>	Output Resistance				
	Power = Low	–	1	–	W
	Power = High	–	1	–	W
V <sub>OHIGHOB</sub>	High Output Voltage Swing (Load = 1k ohms to V <sub>DD</sub> /2)				
	Power = Low	0.5 x V <sub>DD</sub> + 1.0	–	–	V
	Power = High	0.5 x V <sub>DD</sub> + 1.0	–	–	V
V <sub>LOWOB</sub>	Low Output Voltage Swing (Load = 1k ohms to V <sub>DD</sub> /2)				
	Power = Low	–	–	0.5 x V <sub>DD</sub> - 1.0	V
	Power = High	–	–	0.5 x V <sub>DD</sub> - 1.0	V
I <sub>SOB</sub>	Supply Current Including Bias Cell (No Load)				
	Power = Low	–	0.8	2.0	mA
	Power = High	–	2.0	4.3	mA
PSRR <sub>OB</sub>	Supply Voltage Rejection Ratio	60	64	–	dB

*DC Switch Mode Pump Specifications*

The following table lists guaranteed maximum and minimum specifications for the voltage and temperature ranges: 4.75V to 5.25V and -40°C ≤ T<sub>A</sub> ≤ 85°C, or 3.0V to 3.6V and -40°C ≤ T<sub>A</sub> ≤ 85°C, respectively. Typical parameters apply to 5V and 3.3V at 25°C and are for design guidance only.

**Table 23. DC Switch Mode Pump (SMP) Specifications**

Symbol	Description	Min	Typ	Max	Unit	Notes
V <sub>PUMP 5V</sub>	5V Output Voltage	4.75	5.0	5.25	V	Configuration of footnote. <sup>[5]</sup> Average, neglecting ripple. SMP trip voltage is set to 5.0V.
V <sub>PUMP 3V</sub>	3V Output Voltage	3.00	3.25	3.60	V	Configuration of footnote. <sup>[5]</sup> Average, neglecting ripple. SMP trip voltage is set to 3.25V.
I <sub>PUMP</sub>	Available Output Current					Configuration of footnote. <sup>[5]</sup>
	V <sub>BAT</sub> = 1.5V, V <sub>PUMP</sub> = 3.25V	8	–	–	mA	SMP trip voltage is set to 3.25V.
	V <sub>BAT</sub> = 1.8V, V <sub>PUMP</sub> = 5.0V	5	–	–	mA	SMP trip voltage is set to 5.0V.
V <sub>BAT5V</sub>	Input Voltage Range from Battery	1.8	–	5.0	V	Configuration of footnote. <sup>[5]</sup> SMP trip voltage is set to 5.0V.
V <sub>BAT3V</sub>	Input Voltage Range from Battery	1.0	–	3.3	V	Configuration of footnote. <sup>[5]</sup> SMP trip voltage is set to 3.25V.
V <sub>BATSTART</sub>	Minimum Input Voltage from Battery to Start Pump	1.1	–	–	V	Configuration of footnote. <sup>[5]</sup>
ΔV <sub>PUMP_Line</sub>	Line Regulation (over V <sub>BAT</sub> range)	–	5	–	%V <sub>O</sub>	Configuration of footnote. <sup>[5]</sup> V <sub>O</sub> is the “V <sub>DD</sub> Value for PUMP Trip” specified by the VM[2:0] setting in the DC POR and LVD Specification, Table 29 on page 30.

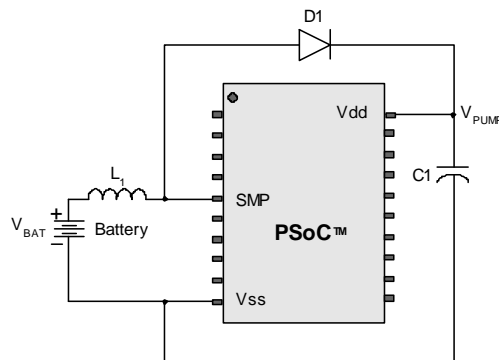
**Note**

5. L<sub>1</sub> = 2 mH inductor, C<sub>1</sub> = 10 mF capacitor, D<sub>1</sub> = Schottky diode. See Figure 11.

**Table 23. DC Switch Mode Pump (SMP) Specifications** (continued)

Symbol	Description	Min	Typ	Max	Unit	Notes
$\Delta V_{PUMP\_Load}$	Load Regulation	–	5	–	% $V_O$	Configuration of footnote. <sup>[5]</sup> $V_O$ is the “Vdd Value for PUMP Trip” specified by the VM[2:0] setting in the DC POR and LVD Specification, Table 29 on page 30.
$\Delta V_{PUMP\_Ripple}$	Output Voltage Ripple (depends on capacitor/load)	–	100	–	mVpp	Configuration of footnote. <sup>[5]</sup> Load is 5 mA.
$E_3$	Efficiency	35	50	–	%	Configuration of footnote. <sup>[5]</sup> Load is 5 mA. SMP trip voltage is set to 3.25V.
$F_{PUMP}$	Switching Frequency	–	1.3	–	MHz	
$DC_{PUMP}$	Switching Duty Cycle	–	50	–	%	

**Figure 11. Basic Switch Mode Pump Circuit**





*DC Analog Reference Specifications*

The following tables list guaranteed maximum and minimum specifications for the voltage and temperature ranges: 4.75V to 5.25V and  $-40^{\circ}\text{C} \leq T_A \leq 85^{\circ}\text{C}$ , or 3.0V to 3.6V and  $-40^{\circ}\text{C} \leq T_A \leq 85^{\circ}\text{C}$ , respectively. Typical parameters apply to 5V and 3.3V at 25°C and are for design guidance only.

The guaranteed specifications are measured through the Analog Continuous Time PSoC blocks. The power levels for AGND refer to the power of the Analog Continuous Time PSoC block. The power levels for RefHi and RefLo refer to the Analog Reference Control register. The limits stated for AGND include the offset error of the AGND buffer local to the Analog Continuous Time PSoC block. Reference control power is high.

**Note** Avoid using P2[4] for digital signaling when using an analog resource that depends on the Analog Reference. Some coupling of the digital signal may appear on the AGND.

**Table 24. Silicon Revision A – 5V DC Analog Reference Specifications**

Symbol	Description	Min	Typ	Max	Unit
BG	Bandgap Voltage Reference	1.274	1.30	1.326	V
–	AGND = $V_{dd}/2$ <sup>[6]</sup>	$V_{dd}/2 - 0.030$	$V_{dd}/2 - 0.004$	$V_{dd}/2 + 0.003$	V
–	AGND = $2 \times \text{BandGap}$ <sup>[6]</sup>	$2 \times \text{BG} - 0.043$	$2 \times \text{BG} - 0.010$	$2 \times \text{BG} + 0.024$	V
–	AGND = P2[4] (P2[4] = $V_{dd}/2$ ) <sup>[6]</sup>	$P2[4] - 0.013$	P2[4]	$P2[4] + 0.014$	V
–	AGND = BandGap <sup>[6]</sup>	$\text{BG} - 0.009$	BG	$\text{BG} + 0.009$	V
–	AGND = $1.6 \times \text{BandGap}$ <sup>[6]</sup>	$1.6 \times \text{BG} - 0.018$	$1.6 \times \text{BG}$	$1.6 \times \text{BG} + 0.018$	V
–	AGND Block to Block Variation (AGND = $V_{dd}/2$ ) <sup>[6]</sup>	-0.034	0.000	0.034	V
–	RefHi = $V_{dd}/2 + \text{BandGap}$	$V_{dd}/2 + \text{BG} - 0.140$	$V_{dd}/2 + \text{BG} - 0.018$	$V_{dd}/2 + \text{BG} + 0.103$	V
–	RefHi = $3 \times \text{BandGap}$	$3 \times \text{BG} - 0.112$	$3 \times \text{BG} - 0.018$	$3 \times \text{BG} + 0.076$	V
–	RefHi = $2 \times \text{BandGap} + P2[6]$ (P2[6] = 1.3V)	$2 \times \text{BG} + P2[6] - 0.113$	$2 \times \text{BG} + P2[6] - 0.018$	$2 \times \text{BG} + P2[6] + 0.077$	V
–	RefHi = P2[4] + BandGap (P2[4] = $V_{dd}/2$ )	$P2[4] + \text{BG} - 0.130$	$P2[4] + \text{BG} - 0.016$	$P2[4] + \text{BG} + 0.098$	V
–	RefHi = P2[4] + P2[6] (P2[4] = $V_{dd}/2$ , P2[6] = 1.3V)	$P2[4] + P2[6] - 0.133$	$P2[4] + P2[6] - 0.016$	$P2[4] + P2[6] + 0.100$	V
–	RefHi = $3.2 \times \text{BandGap}$	$3.2 \times \text{BG} - 0.112$	$3.2 \times \text{BG}$	$3.2 \times \text{BG} + 0.076$	V
–	RefLo = $V_{dd}/2 - \text{BandGap}$	$V_{dd}/2 - \text{BG} - 0.051$	$V_{dd}/2 - \text{BG} + 0.024$	$V_{dd}/2 - \text{BG} + 0.098$	V
–	RefLo = BandGap	$\text{BG} - 0.082$	$\text{BG} + 0.023$	$\text{BG} + 0.129$	V
–	RefLo = $2 \times \text{BandGap} - P2[6]$ (P2[6] = 1.3V)	$2 \times \text{BG} - P2[6] - 0.084$	$2 \times \text{BG} - P2[6] + 0.025$	$2 \times \text{BG} - P2[6] + 0.134$	V
–	RefLo = P2[4] – BandGap (P2[4] = $V_{dd}/2$ )	$P2[4] - \text{BG} - 0.056$	$P2[4] - \text{BG} + 0.026$	$P2[4] - \text{BG} + 0.107$	V
–	RefLo = P2[4]-P2[6] (P2[4] = $V_{dd}/2$ , P2[6] = 1.3V)	$P2[4] - P2[6] - 0.057$	$P2[4] - P2[6] + 0.026$	$P2[4] - P2[6] + 0.110$	V

**Note**

6. AGND tolerance includes the offsets of the local buffer in the PSoC block.

**Table 25. Silicon Revision B – 5V DC Analog Reference Specifications**

Symbol	Description	Min	Typ	Max	Unit
BG	Bandgap Voltage Reference	1.28	1.30	1.32	V
–	AGND = $V_{dd}/2$ <sup>[7]</sup>	$V_{dd}/2 - 0.030$	$V_{dd}/2$	$V_{dd}/2 + 0.007$	V
–	AGND = $2 \times \text{BandGap}$ <sup>[7]</sup>	$2 \times \text{BG} - 0.043$	$2 \times \text{BG}$	$2 \times \text{BG} + 0.024$	V
–	AGND = P2[4] (P2[4] = $V_{dd}/2$ ) <sup>[7]</sup>	$P2[4] - 0.011$	P2[4]	$P2[4] + 0.011$	V
–	AGND = $\text{BandGap}$ <sup>[7]</sup>	$\text{BG} - 0.009$	BG	$\text{BG} + 0.009$	V
–	AGND = $1.6 \times \text{BandGap}$ <sup>[7]</sup>	$1.6 \times \text{BG} - 0.018$	$1.6 \times \text{BG}$	$1.6 \times \text{BG} + 0.018$	V
–	AGND Block to Block Variation (AGND = $V_{dd}/2$ ) <sup>[7]</sup>	-0.034	0.000	0.034	V
–	RefHi = $V_{dd}/2 + \text{BandGap}$	$V_{dd}/2 + \text{BG} - 0.1$	$V_{dd}/2 + \text{BG} - 0.01$	$V_{dd}/2 + \text{BG} + 0.1$	V
–	RefHi = $3 \times \text{BandGap}$	$3 \times \text{BG} - 0.06$	$3 \times \text{BG} - 0.01$	$3 \times \text{BG} + 0.06$	V
–	RefHi = $2 \times \text{BandGap} + P2[6]$ (P2[6] = 1.3V)	$2 \times \text{BG} + P2[6] - 0.06$	$2 \times \text{BG} + P2[6] - 0.01$	$2 \times \text{BG} + P2[6] + 0.06$	V
–	RefHi = $P2[4] + \text{BandGap}$ (P2[4] = $V_{dd}/2$ )	$P2[4] + \text{BG} - 0.06$	$P2[4] + \text{BG} - 0.01$	$P2[4] + \text{BG} + 0.06$	V
–	RefHi = $P2[4] + P2[6]$ (P2[4] = $V_{dd}/2$ , P2[6] = 1.3V)	$P2[4] + P2[6] - 0.06$	$P2[4] + P2[6] - 0.01$	$P2[4] + P2[6] + 0.06$	V
–	RefHi = $3.2 \times \text{BandGap}$	$3.2 \times \text{BG} - 0.06$	$3.2 \times \text{BG} - 0.01$	$3.2 \times \text{BG} + 0.06$	V
–	RefLo = $V_{dd}/2 - \text{BandGap}$	$V_{dd}/2 - \text{BG} - 0.051$	$V_{dd}/2 - \text{BG} + 0.01$	$V_{dd}/2 - \text{BG} + 0.06$	V
–	RefLo = $\text{BandGap}$	$\text{BG} - 0.06$	$\text{BG} + 0.01$	$\text{BG} + 0.06$	V
–	RefLo = $2 \times \text{BandGap} - P2[6]$ (P2[6] = 1.3V)	$2 \times \text{BG} - P2[6] - 0.04$	$2 \times \text{BG} - P2[6] + 0.01$	$2 \times \text{BG} - P2[6] + 0.04$	V
–	RefLo = $P2[4] - \text{BandGap}$ (P2[4] = $V_{dd}/2$ )	$P2[4] - \text{BG} - 0.056$	$P2[4] - \text{BG} + 0.01$	$P2[4] - \text{BG} + 0.056$	V
–	RefLo = $P2[4] - P2[6]$ (P2[4] = $V_{dd}/2$ , P2[6] = 1.3V)	$P2[4] - P2[6] - 0.056$	$P2[4] - P2[6] + 0.01$	$P2[4] - P2[6] + 0.056$	V

**Table 26. Silicon Revision A – 3.3V DC Analog Reference Specifications**

Symbol	Description	Min	Typ	Max	Unit
BG	Bandgap Voltage Reference	1.274	1.30	1.326	V
–	AGND = $V_{dd}/2$ <sup>[8]</sup>	$V_{dd}/2 - 0.027$	$V_{dd}/2 - 0.003$	$V_{dd}/2 + 0.002$	V
–	AGND = $2 \times \text{BandGap}$ <sup>[8]</sup>	Not Allowed			
–	AGND = P2[4] (P2[4] = $V_{dd}/2$ )	$P2[4] - 0.008$	$P2[4] + 0.001$	$P2[4] + 0.009$	V
–	AGND = $\text{BandGap}$ <sup>[8]</sup>	$\text{BG} - 0.009$	BG	$\text{BG} + 0.009$	V
–	AGND = $1.6 \times \text{BandGap}$ <sup>[8]</sup>	$1.6 \times \text{BG} - 0.018$	$1.6 \times \text{BG}$	$1.6 \times \text{BG} + 0.018$	V
–	AGND Block to Block Variation (AGND = $V_{dd}/2$ ) <sup>[8]</sup>	-0.034	0.000	0.034	V
–	RefHi = $V_{dd}/2 + \text{BandGap}$	Not Allowed			
–	RefHi = $3 \times \text{BandGap}$	Not Allowed			
–	RefHi = $2 \times \text{BandGap} + P2[6]$ (P2[6] = 0.5V)	Not Allowed			
–	RefHi = $P2[4] + \text{BandGap}$ (P2[4] = $V_{dd}/2$ )	Not Allowed			
–	RefHi = $P2[4] + P2[6]$ (P2[4] = $V_{dd}/2$ , P2[6] = 0.5V)	$P2[4] + P2[6] - 0.075$	$P2[4] + P2[6] - 0.009$	$P2[4] + P2[6] + 0.057$	V
–	RefHi = $3.2 \times \text{BandGap}$	Not Allowed			
–	RefLo = $V_{dd}/2 - \text{BandGap}$	Not Allowed			

**Note**

7. AGND tolerance includes the offsets of the local buffer in the PSoC block.

**Table 26. Silicon Revision A – 3.3V DC Analog Reference Specifications (continued)**

Symbol	Description	Min	Typ	Max	Unit
–	RefLo = BandGap	Not Allowed			
–	RefLo = 2 x BandGap - P2[6] (P2[6] = 0.5V)	Not Allowed			
–	RefLo = P2[4] – BandGap (P2[4] = Vdd/2)	Not Allowed			
–	RefLo = P2[4]-P2[6] (P2[4] = Vdd/2, P2[6] = 0.5V)	P2[4] - P2[6] - 0.048	P2[4] - P2[6] + 0.022	P2[4] - P2[6] + 0.092	V

**Table 27. Silicon Revision B – 3.3V DC Analog Reference Specifications**

Symbol	Description	Min	Typ	Max	Unit
BG	Bandgap Voltage Reference	1.28	1.30	1.32	V
–	AGND = Vdd/2 <sup>[8]</sup>	Vdd/2 - 0.027	Vdd/2	Vdd/2 + 0.005	V
–	AGND = 2 x BandGap <sup>[8]</sup>	Not Allowed			
–	AGND = P2[4] (P2[4] = Vdd/2)	P2[4] - 0.008	P2[4]	P2[4] + 0.009	V
–	AGND = BandGap <sup>[8]</sup>	BG - 0.009	BG	BG + 0.009	V
–	AGND = 1.6 x BandGap <sup>[8]</sup>	1.6 x BG - 0.018	1.6 x BG	1.6 x BG + 0.018	V
–	AGND Block to Block Variation (AGND = Vdd/2) <sup>[8]</sup>	-0.034	0.000	0.034	mV
–	RefHi = Vdd/2 + BandGap	Not Allowed			
–	RefHi = 3 x BandGap	Not Allowed			
–	RefHi = 2 x BandGap + P2[6] (P2[6] = 0.5V)	Not Allowed			
–	RefHi = P2[4] + BandGap (P2[4] = Vdd/2)	Not Allowed			
–	RefHi = P2[4] + P2[6] (P2[4] = Vdd/2, P2[6] = 0.5V)	P2[4] + P2[6] - 0.06	P2[4] + P2[6] - 0.01	P2[4] + P2[6] + 0.057	V
–	RefHi = 3.2 x BandGap	Not Allowed			
–	RefLo = Vdd/2 - BandGap	Not Allowed			
–	RefLo = BandGap	Not Allowed			
–	RefLo = 2 x BandGap - P2[6] (P2[6] = 0.5V)	Not Allowed			
–	RefLo = P2[4] – BandGap (P2[4] = Vdd/2)	Not Allowed			
–	RefLo = P2[4]-P2[6] (P2[4] = Vdd/2, P2[6] = 0.5V)	P2[4] - P2[6] - 0.048	P2[4] - P2[6] + 0.01	P2[4] - P2[6] + 0.048	V

*DC Analog PSoC Block Specifications*

The following table lists guaranteed maximum and minimum specifications for the voltage and temperature ranges: 4.75V to 5.25V and  $-40^{\circ}\text{C} \leq T_A \leq 85^{\circ}\text{C}$ , or 3.0V to 3.6V and  $-40^{\circ}\text{C} \leq T_A \leq 85^{\circ}\text{C}$ , respectively. Typical parameters apply to 5V and 3.3V at 25°C and are for design guidance only.

**Table 28. DC Analog PSoC Block Specifications**

Symbol	Description	Min	Typ	Max	Unit
R <sub>CT</sub>	Resistor Unit Value (Continuous Time)	–	12.2	–	kΩ
C <sub>SC</sub>	Capacitor Unit Value (Switch Cap)	–	80	–	fF

**Note**

8. AGND tolerance includes the offsets of the local buffer in the PSoC block.  
See Application Note AN2012 "Adjusting PSoC Microcontroller Trims for Dual Voltage-Range Operation" at <http://www.cypress.com> for information on trimming for operation at 3.3V.

*DC POR and LVD Specifications*

The following table lists guaranteed maximum and minimum specifications for the voltage and temperature ranges: 4.75V to 5.25V and  $-40^{\circ}\text{C} \leq T_A \leq 85^{\circ}\text{C}$ , or 3.0V to 3.6V and  $-40^{\circ}\text{C} \leq T_A \leq 85^{\circ}\text{C}$ , respectively. Typical parameters apply to 5V and 3.3V at 25°C and are for design guidance only.

**Note** The bits PORLEV and VM in the following table refer to bits in the VLT\_CR register. See the *PSoC Programmable System-on-Chip Technical Reference Manual* for more information on the VLT\_CR register.

**Table 29. DC POR and LVD Specifications**

Symbol	Description	Min	Typ	Max	Unit	Notes
V <sub>PPOR0R</sub>	Vdd Value for PPOR Trip (positive ramp) PORLEV[1:0] = 00b	–	2.91	–	V	Vdd must be greater than or equal to 2.5V during startup, reset from the XRES pin, or reset from Watchdog.
V <sub>PPOR1R</sub>	PORLEV[1:0] = 01b	–	4.39	–	V	
V <sub>PPOR2R</sub>	PORLEV[1:0] = 10b	–	4.55	–	V	
V <sub>PPOR0</sub>	Vdd Value for PPOR Trip (negative ramp) PORLEV[1:0] = 00b	–	2.82	–	V	
V <sub>PPOR1</sub>	PORLEV[1:0] = 01b	–	4.39	–	V	
V <sub>PPOR2</sub>	PORLEV[1:0] = 10b	–	4.55	–	V	
V <sub>PH0</sub>	PPOR Hysteresis PORLEV[1:0] = 00b	–	92	–	mV	
V <sub>PH1</sub>	PORLEV[1:0] = 01b	–	0	–	mV	
V <sub>PH2</sub>	PORLEV[1:0] = 10b	–	0	–	mV	
V <sub>LVD0</sub>	Vdd Value for LVD Trip VM[2:0] = 000b	2.86	2.92	2.98 <sup>[9]</sup>	V	
V <sub>LVD1</sub>	VM[2:0] = 001b	2.96	3.02	3.08	V	
V <sub>LVD2</sub>	VM[2:0] = 010b	3.07	3.13	3.20	V	
V <sub>LVD3</sub>	VM[2:0] = 011b	3.92	4.00	4.08	V	
V <sub>LVD4</sub>	VM[2:0] = 100b	4.39	4.48	4.57	V	
V <sub>LVD5</sub>	VM[2:0] = 101b	4.55	4.64	4.74 <sup>[10]</sup>	V	
V <sub>LVD6</sub>	VM[2:0] = 110b	4.63	4.73	4.82	V	
V <sub>LVD7</sub>	VM[2:0] = 111b	4.72	4.81	4.91	V	
V <sub>PUMP0</sub>	Vdd Value for PUMP Trip VM[2:0] = 000b	2.96	3.02	3.08	V	
V <sub>PUMP1</sub>	VM[2:0] = 001b	3.03	3.10	3.16	V	
V <sub>PUMP2</sub>	VM[2:0] = 010b	3.18	3.25	3.32	V	
V <sub>PUMP3</sub>	VM[2:0] = 011b	4.11	4.19	4.28	V	
V <sub>PUMP4</sub>	VM[2:0] = 100b	4.55	4.64	4.74	V	
V <sub>PUMP5</sub>	VM[2:0] = 101b	4.63	4.73	4.82	V	
V <sub>PUMP6</sub>	VM[2:0] = 110b	4.72	4.82	4.91	V	
V <sub>PUMP7</sub>	VM[2:0] = 111b	4.90	5.00	5.10	V	

**Notes**

- 9. Always greater than 50 mV above PPOR (PORLEV = 00) for falling supply.
- 10. Always greater than 50 mV above PPOR (PORLEV = 10) for falling supply.

*DC Programming Specifications*

The following table lists guaranteed maximum and minimum specifications for the voltage and temperature ranges: 4.75V to 5.25V and  $-40^{\circ}\text{C} \leq T_A \leq 85^{\circ}\text{C}$ , or 3.0V to 3.6V and  $-40^{\circ}\text{C} \leq T_A \leq 85^{\circ}\text{C}$ , respectively. Typical parameters apply to 5V and 3.3V at 25°C and are for design guidance only.

**Table 30. DC Programming Specifications**

Symbol	Description	Min	Typ	Max	Unit	Notes
$I_{DDP}$	Supply Current During Programming or Verify	–	5	25	mA	
$V_{ILP}$	Input Low Voltage During Programming or Verify	–	–	0.8	V	
$V_{IHP}$	Input High Voltage During Programming or Verify	2.2	–	–	V	
$I_{ILP}$	Input Current when Applying $V_{ilp}$ to P1[0] or P1[1] During Programming or Verify	–	–	0.2	mA	Driving internal pull down resistor.
$I_{IHP}$	Input Current when Applying $V_{ihp}$ to P1[0] or P1[1] During Programming or Verify	–	–	1.5	mA	Driving internal pull down resistor.
$V_{OLV}$	Output Low Voltage During Programming or Verify	–	–	$V_{SS} + 0.75$	V	
$V_{OHV}$	Output High Voltage During Programming or Verify	$V_{DD} - 1.0$	–	$V_{DD}$	V	
$\text{Flash}_{ENPB}$	Flash Endurance (per block)	50,000 <sup>[11]</sup>	–	–	Cycles	Erase/write cycles per block.
$\text{Flash}_{ENT}$	Flash Endurance (total) <sup>[12]</sup>	1,800,000	–	–	Cycles	Erase/write cycles.
$\text{Flash}_{DR}$	Flash Data Retention	10	–	–	Years	

**Notes**

11. The 50,000 cycle flash endurance per block will only be guaranteed if the flash is operating within one voltage range. Voltage ranges are 3.0V to 3.6V and 4.75V to 5.25V.
12. A maximum of 36 x 50,000 block endurance cycles is allowed. This may be balanced between operations on 36x1 blocks of 50,000 maximum cycles each, 36x2 blocks of 25,000 maximum cycles each, or 36x4 blocks of 12,500 maximum cycles each (to limit the total number of cycles to 36x50,000 and that no single block ever sees more than 50,000 cycles).  
For the full industrial range, the user must employ a temperature sensor user module (FlashTemp) and feed the result to the temperature argument before writing. Refer to the Flash APIs Application Note AN2015 at <http://www.cypress.com> under Application Notes for more information

## AC Electrical Characteristics

### AC Chip-Level Specifications

The following table lists guaranteed maximum and minimum specifications for the voltage and temperature ranges: 4.75V to 5.25V and  $-40^{\circ}\text{C} \leq T_A \leq 85^{\circ}\text{C}$ , or 3.0V to 3.6V and  $-40^{\circ}\text{C} \leq T_A \leq 85^{\circ}\text{C}$ , respectively. Typical parameters apply to 5V and 3.3V at 25°C and are for design guidance only.

**Table 31. AC Chip-Level Specifications**

Symbol	Description	Min	Typ	Max	Unit	Notes
F <sub>IMO</sub>	Internal Main Oscillator Frequency	23.4	24	24.6 <sup>[13]</sup>	MHz	Trimmed. Utilizing factory trim values.
F <sub>CPU1</sub>	CPU Frequency (5V Nominal)	0.0914	24	24.6 <sup>[13,14]</sup>	MHz	Trimmed. Utilizing factory trim values.
F <sub>CPU2</sub>	CPU Frequency (3.3V Nominal)	0.0914	12	12.3 <sup>[14,15]</sup>	MHz	Trimmed. Utilizing factory trim values.
F <sub>48M</sub>	Digital PSoC Block Frequency	0	48	49.2 <sup>[13,14, 16]</sup>	MHz	Refer to the AC Digital Block Specifications below.
F <sub>24M</sub>	Digital PSoC Block Frequency	0	24	24.6 <sup>[14, 16]</sup>	MHz	
F <sub>32K1</sub>	Internal Low Speed Oscillator Frequency	15	32	64	kHz	
F <sub>32K2</sub>	External Crystal Oscillator	–	32.768	–	kHz	Accuracy is capacitor and crystal dependent. 50% duty cycle.
F <sub>32K_U</sub>	Internal Low Speed Oscillator (ILO) Untrimmed Frequency	5	–	–	kHz	After a reset and before the m8c starts to run, the ILO is not trimmed. See the System Resets section of the PSoC Technical Reference Manual for details on timing this
F <sub>PLL</sub>	PLL Frequency	–	23.986	–	MHz	Multiple (x732) of crystal frequency.
Jitter <sub>24M2</sub>	24 MHz Period Jitter (PLL)	–	–	600	ps	
T <sub>PLLSLEW</sub>	PLL Lock Time	0.5	–	10	ms	
T <sub>PLLSLEWSLOW</sub>	PLL Lock Time for Low Gain Setting	0.5	–	50	ms	
T <sub>OS</sub>	External Crystal Oscillator Startup to 1%	–	1700	2620	ms	
T <sub>OSACC</sub>	External Crystal Oscillator Startup to 100 ppm	–	2800	3800	ms	The crystal oscillator frequency is within 100 ppm of its final value by the end of the T <sub>osacc</sub> period. Correct operation assumes a properly loaded 1 μW maximum drive level 32.768 kHz crystal. 3.0V ≤ V <sub>dd</sub> ≤ 5.5V, $-40^{\circ}\text{C} \leq T_A \leq 85^{\circ}\text{C}$ .
Jitter <sub>32k</sub>	32 kHz Period Jitter	–	100	–	ns	
T <sub>XRST</sub>	External Reset Pulse Width	10	–	–	μs	
DC <sub>24M</sub>	24 MHz Duty Cycle	40	50	60	%	
DC <sub>ILO</sub>	Internal Low Speed Oscillator Duty Cycle	20	50	80	%	
Step <sub>24M</sub>	24 MHz Trim Step Size	–	50	–	kHz	

#### Notes

13. 4.75V < V<sub>dd</sub> < 5.25V.

14. Accuracy derived from Internal Main Oscillator with appropriate trim for V<sub>dd</sub> range.

15. 3.0V < V<sub>dd</sub> < 3.6V. See Application Note AN2012 "Adjusting PSoC Microcontroller Trims for Dual Voltage-Range Operation" at <http://www.cypress.com> for information on trimming for operation at 3.3V.

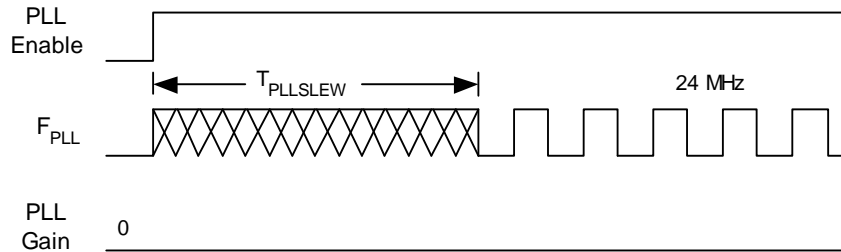
16. See the individual user module data sheets for information on maximum frequencies for user modules.



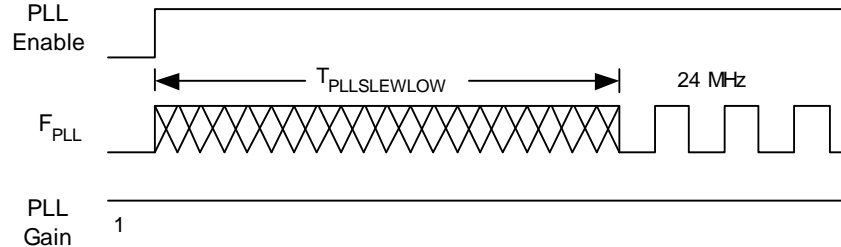
**Table 31. AC Chip-Level Specifications** (continued)

Symbol	Description	Min	Typ	Max	Unit	Notes
T <sub>POWERUP</sub>	Time from end of POR to CPU executing code	–	16	100	ms	Power up from 0V. See the System Resets section of the PSoC Technical Reference Manual.
F <sub>out48M</sub>	48 MHz Output Frequency	46.8	48.0	49.2 <sup>[13,15]</sup>	MHz	Trimmed. Utilizing factory trim values.
Jitter <sub>24M1</sub>	24 MHz Period Jitter (IMO)	–	600	–	ps	
F <sub>MAX</sub>	Maximum frequency of signal on row input or row output.	–	–	12.3	MHz	
SR <sub>POWER_UP</sub>	Power Supply Slew Rate	–	–	250	V/ms	V <sub>dd</sub> slew rate during power up.

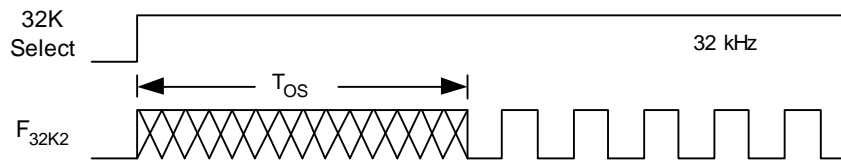
**Figure 12. PLL Lock Timing Diagram**



**Figure 13. PLL Lock for Low Gain Setting Timing Diagram**



**Figure 14. External Crystal Oscillator Startup Timing Diagram**



**Figure 15. 24 MHz Period Jitter (IMO) Timing Diagram**



**Figure 16. 32 kHz Period Jitter (ECO) Timing Diagram**



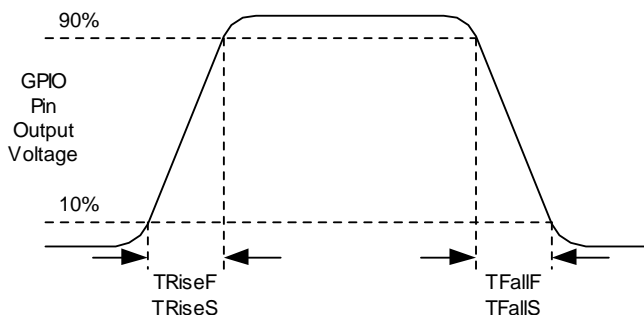
*AC General Purpose I/O Specifications*

The following table lists guaranteed maximum and minimum specifications for the voltage and temperature ranges: 4.75V to 5.25V and  $-40^{\circ}\text{C} \leq T_A \leq 85^{\circ}\text{C}$ , or 3.0V to 3.6V and  $-40^{\circ}\text{C} \leq T_A \leq 85^{\circ}\text{C}$ , respectively. Typical parameters apply to 5V and 3.3V at 25°C and are for design guidance only.

**Table 32. AC GPIO Specifications**

Symbol	Description	Min	Typ	Max	Unit	Notes
$F_{\text{GPIO}}$	GPIO Operating Frequency	0	–	12	MHz	Normal Strong Mode
$T_{\text{RiseF}}$	Rise Time, Normal Strong Mode, Load = 50 pF	3	–	18	ns	Vdd = 4.5 to 5.25V, 10% - 90%
$T_{\text{FallF}}$	Fall Time, Normal Strong Mode, Load = 50 pF	2	–	18	ns	Vdd = 4.5 to 5.25V, 10% - 90%
$T_{\text{RiseS}}$	Rise Time, Slow Strong Mode, Load = 50 pF	10	27	–	ns	Vdd = 3 to 5.25V, 10% - 90%
$T_{\text{FallS}}$	Fall Time, Slow Strong Mode, Load = 50 pF	10	22	–	ns	Vdd = 3 to 5.25V, 10% - 90%

**Figure 17. GPIO Timing Diagram**



*AC Operational Amplifier Specifications*

The following tables list guaranteed maximum and minimum specifications for the voltage and temperature ranges: 4.75V to 5.25V and  $-40^{\circ}\text{C} \leq T_A \leq 85^{\circ}\text{C}$ , or 3.0V to 3.6V and  $-40^{\circ}\text{C} \leq T_A \leq 85^{\circ}\text{C}$ , respectively. Typical parameters apply to 5V and 3.3V at 25°C and are for design guidance only.

Settling times, slew rates, and gain bandwidth are based on the Analog Continuous Time PSoC block.

Power = High and Opamp Bias = High is not supported at 3.3V.

**Table 33. 5V AC Operational Amplifier Specifications**

Symbol	Description	Min	Typ	Max	Unit
$T_{\text{ROA}}$	Rising Settling Time from 80% of $\Delta V$ to 0.1% of $\Delta V$ (10 pF load, Unity Gain)	–	–	3.9	$\mu\text{s}$
	Power = Low, Opamp Bias = Low	–	–	0.72	$\mu\text{s}$
	Power = High, Opamp Bias = High	–	–	0.62	$\mu\text{s}$
$T_{\text{SOA}}$	Falling Settling Time from 20% of $\Delta V$ to 0.1% of $\Delta V$ (10 pF load, Unity Gain)	–	–	5.9	$\mu\text{s}$
	Power = Low, Opamp Bias = Low	–	–	0.92	$\mu\text{s}$
	Power = High, Opamp Bias = High	–	–	0.72	$\mu\text{s}$
$\text{SR}_{\text{ROA}}$	Rising Slew Rate (20% to 80%)(10 pF load, Unity Gain)	0.15	–	–	V/ $\mu\text{s}$
	Power = Low, Opamp Bias = Low	1.7	–	–	V/ $\mu\text{s}$
	Power = High, Opamp Bias = High	6.5	–	–	V/ $\mu\text{s}$
$\text{SR}_{\text{FOA}}$	Falling Slew Rate (20% to 80%)(10 pF load, Unity Gain)	0.01	–	–	V/ $\mu\text{s}$
	Power = Low, Opamp Bias = Low	0.5	–	–	V/ $\mu\text{s}$
	Power = High, Opamp Bias = High	4.0	–	–	V/ $\mu\text{s}$

**Table 33. 5V AC Operational Amplifier Specifications (continued)**

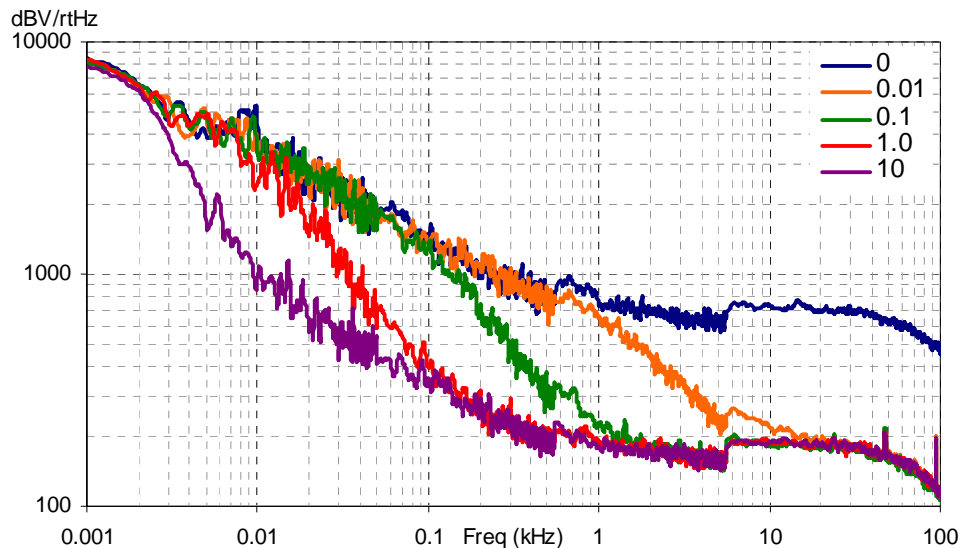
Symbol	Description	Min	Typ	Max	Unit
BW <sub>OA</sub>	Gain Bandwidth Product	0.75	–	–	MHz
	Power = Low, Opamp Bias = Low	3.1	–	–	MHz
	Power = High, Opamp Bias = High	5.4	–	–	MHz
E <sub>NOA</sub>	Noise at 1 kHz (Power = Medium, Opamp Bias = High)	–	100	–	nV/rt-Hz

**Table 34. 3.3V AC Operational Amplifier Specifications**

Symbol	Description	Min	Typ	Max	Units
T <sub>ROA</sub>	Rising Settling Time from 80% of ΔV to 0.1% of ΔV (10 pF load, Unity Gain)	–	–	3.92	μs
	Power = Low, Opamp Bias = Low Power = Low, Opamp Bias = High	–	–	0.72	μs
T <sub>SOA</sub>	Falling Settling Time from 20% of ΔV to 0.1% of ΔV (10 pF load, Unity Gain)	–	–	5.41	μs
	Power = Low, Opamp Bias = Low Power = Medium, Opamp Bias = High	–	–	0.72	μs
SR <sub>ROA</sub>	Rising Slew Rate (20% to 80%)(10 pF load, Unity Gain)	0.31	–	–	V/μs
	Power = Low, Opamp Bias = Low Power = Medium, Opamp Bias = High	2.7	–	–	V/μs
SR <sub>FOA</sub>	Falling Slew Rate (20% to 80%)(10 pF load, Unity Gain)	0.24	–	–	V/μs
	Power = Low, Opamp Bias = Low Power = Medium, Opamp Bias = High	1.8	–	–	V/μs
BW <sub>OA</sub>	Gain Bandwidth Product	0.67	–	–	MHz
	Power = Low, Opamp Bias = Low Power = Medium, Opamp Bias = High	2.8	–	–	MHz
E <sub>NOA</sub>	Noise at 1 kHz (Power = Medium, Opamp Bias = High)	–	100	–	nV/rt-Hz

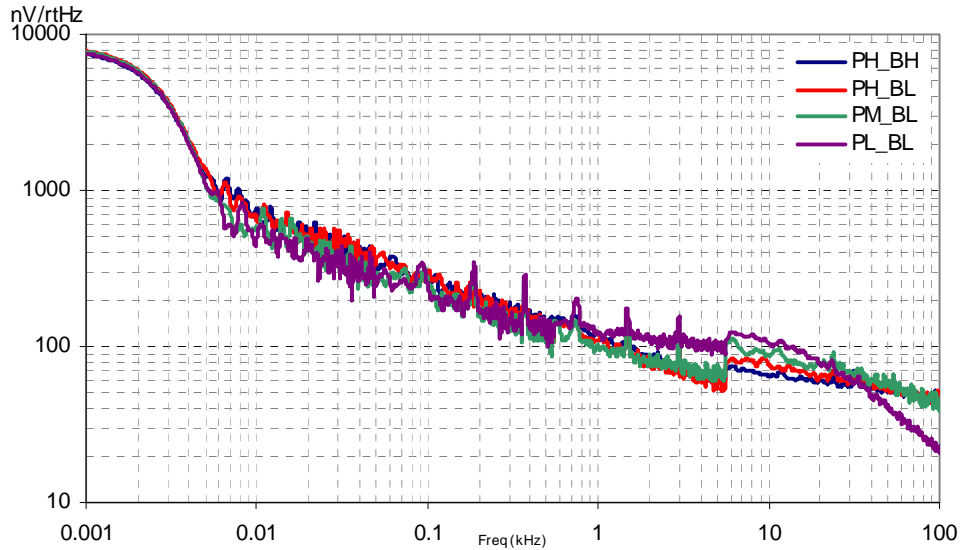
When bypassed by a capacitor on P2[4], the noise of the analog ground signal distributed to each block is reduced by a factor of up to 5 (14 dB). This is at frequencies above the corner frequency defined by the on-chip 8.1k resistance and the external capacitor.

**Figure 18. Typical AGND Noise with P2[4] Bypass**



At low frequencies, the opamp noise is proportional to  $1/f$ , power independent, and determined by device geometry. At high frequencies, increased power level reduces the noise spectrum level.

**Figure 19. Typical Opamp Noise**



*AC Low Power Comparator Specifications*

The following table lists guaranteed maximum and minimum specifications for the voltage and temperature ranges: 4.75V to 5.25V and  $-40^{\circ}\text{C} \leq T_A \leq 85^{\circ}\text{C}$ , 3.0V to 3.6V and  $-40^{\circ}\text{C} \leq T_A \leq 85^{\circ}\text{C}$ , or 2.4V to 3.0V and  $-40^{\circ}\text{C} \leq T_A \leq 85^{\circ}\text{C}$ , respectively. Typical parameters apply to 5V at  $25^{\circ}\text{C}$  and are for design guidance only.

**Table 35. AC Low Power Comparator Specifications**

Symbol	Description	Min	Typ	Max	Unit	Notes
$T_{RLPC}$	LPC response time	–	–	50	$\mu\text{s}$	$\geq 50$ mV overdrive comparator reference set within $V_{REFLPC}$ .

*AC Digital Block Specifications*

The following table lists guaranteed maximum and minimum specifications for the voltage and temperature ranges: 4.75V to 5.25V and  $-40^{\circ}\text{C} \leq T_A \leq 85^{\circ}\text{C}$ , or 3.0V to 3.6V and  $-40^{\circ}\text{C} \leq T_A \leq 85^{\circ}\text{C}$ , respectively. Typical parameters apply to 5V and 3.3V at 25°C and are for design guidance only.

**Table 36. AC Digital Block Specifications**

Function	Description	Min	Typ	Max	Unit	Notes
All Functions	Maximum Block Clocking Frequency (> 4.75V)	–	–	49.2	MHz	4.75V < Vdd < 5.25V
	Maximum Block Clocking Frequency (< 4.75V)	–	–	24.6	MHz	3.0V < Vdd < 4.75V
Timer	Capture Pulse Width	50 <sup>[17]</sup>	–	–	ns	
	Maximum Frequency, No Capture	–	–	49.2	MHz	4.75V < Vdd < 5.25V
	Maximum Frequency, With Capture	–	–	24.6	MHz	
Counter	Enable Pulse Width	50 <sup>[17]</sup>	–	–	ns	
	Maximum Frequency, No Enable Input	–	–	49.2	MHz	4.75V < Vdd < 5.25V
	Maximum Frequency, Enable Input	–	–	24.6	MHz	
Dead Band	Kill Pulse Width:					
	Asynchronous Restart Mode	20	–	–	ns	
	Synchronous Restart Mode	50 <sup>[17]</sup>	–	–	ns	
	Disable Mode	50 <sup>[17]</sup>	–	–	ns	
	Maximum Frequency	–	–	49.2	MHz	4.75V < Vdd < 5.25V
CRCPRS (PRS Mode)	Maximum Input Clock Frequency	–	–	49.2	MHz	4.75V < Vdd < 5.25V
CRCPRS (CRC Mode)	Maximum Input Clock Frequency	–	–	24.6	MHz	
SPIM	Maximum Input Clock Frequency	–	–	8.2	MHz	Maximum data rate at 4.1 MHz due to 2 x over clocking.
SPIS	Maximum Input Clock Frequency	–	–	4.1	MHz	
	Width of SS_ Negated Between Transmissions	50 <sup>[17]</sup>	–	–	ns	
Transmitter	Maximum Input Clock Frequency <sup>[17]</sup> Silicon A	–	–	16.4	MHz	Maximum data rate at 2.05 MHz due to 8 x over clocking. Maximum data rate at 3.08 MHz due to 8 x over clocking. Maximum data rate at 6.15 MHz due to 8 x over clocking.
	Silicon B	–	–	24.6	MHz	
	Silicon B Maximum Input Clock Frequency with Vdd ≥ 4.75V, 2 Stop Bits	–	–	49.2	MHz	
Receiver	Maximum Input Clock Frequency <sup>[18]</sup> Silicon A	–	–	16.4	MHz	Maximum data rate at 2.05 MHz due to 8 x over clocking. Maximum data rate at 3.08 MHz due to 8 x over clocking. Maximum data rate at 6.15 MHz due to 8 x over clocking.
	Silicon B	–	–	24.6	MHz	
	Silicon B Maximum Input Clock Frequency with Vdd ≥ 4.75V, 2 Stop Bits	–	–	49.2	MHz	

**Notes**

17. 50 ns minimum input pulse width is based on the input synchronizers running at 24 MHz (42 ns nominal period).

18. Refer to [Table 47](#) on page 51

*AC Analog Output Buffer Specifications*

The following tables list guaranteed maximum and minimum specifications for the voltage and temperature ranges: 4.75V to 5.25V and  $-40^{\circ}\text{C} \leq T_A \leq 85^{\circ}\text{C}$ , or 3.0V to 3.6V and  $-40^{\circ}\text{C} \leq T_A \leq 85^{\circ}\text{C}$ , respectively. Typical parameters apply to 5V and 3.3V at  $25^{\circ}\text{C}$  and are for design guidance only.

**Table 37. 5V AC Analog Output Buffer Specifications**

Symbol	Description	Min	Typ	Max	Unit
T <sub>ROB</sub>	Rising Settling Time to 0.1%, 1V Step, 100 pF Load Power = Low Power = High	–	–	2.5	μs
		–	–	2.5	μs
T <sub>SOB</sub>	Falling Settling Time to 0.1%, 1V Step, 100 pF Load Power = Low Power = High	–	–	2.2	μs
		–	–	2.2	μs
SR <sub>ROB</sub>	Rising Slew Rate (20% to 80%), 1V Step, 100 pF Load Power = Low Power = High	0.65	–	–	V/μs
		0.65	–	–	V/μs
SR <sub>FOB</sub>	Falling Slew Rate (80% to 20%), 1V Step, 100 pF Load Power = Low Power = High	0.65	–	–	V/μs
		0.65	–	–	V/μs
BW <sub>OB</sub>	Small Signal Bandwidth, 20mV <sub>pp</sub> , 3dB BW, 100 pF Load Power = Low Power = High	0.8	–	–	MHz
		0.8	–	–	MHz
BW <sub>OB</sub>	Large Signal Bandwidth, 1V <sub>pp</sub> , 3dB BW, 100 pF Load Power = Low Power = High	300	–	–	kHz
		300	–	–	kHz

**Table 38. 3.3V AC Analog Output Buffer Specifications**

Symbol	Description	Min	Typ	Max	Unit
T <sub>ROB</sub>	Rising Settling Time to 0.1%, 1V Step, 100 pF Load Power = Low Power = High	–	–	3.8	μs
		–	–	3.8	μs
T <sub>SOB</sub>	Falling Settling Time to 0.1%, 1V Step, 100 pF Load Power = Low Power = High	–	–	2.6	μs
		–	–	2.6	μs
SR <sub>ROB</sub>	Rising Slew Rate (20% to 80%), 1V Step, 100 pF Load Power = Low Power = High	0.5	–	–	V/μs
		0.5	–	–	V/μs
SR <sub>FOB</sub>	Falling Slew Rate (80% to 20%), 1V Step, 100 pF Load Power = Low Power = High	0.5	–	–	V/μs
		0.5	–	–	V/μs
BW <sub>OB</sub>	Small Signal Bandwidth, 20mV <sub>pp</sub> , 3dB BW, 100 pF Load Power = Low Power = High	0.7	–	–	MHz
		0.7	–	–	MHz
BW <sub>OB</sub>	Large Signal Bandwidth, 1V <sub>pp</sub> , 3dB BW, 100 pF Load Power = Low Power = High	200	–	–	kHz
		200	–	–	kHz

*AC External Clock Specifications*

The following tables list guaranteed maximum and minimum specifications for the voltage and temperature ranges: 4.75V to 5.25V and  $-40^{\circ}\text{C} \leq T_A \leq 85^{\circ}\text{C}$ , or 3.0V to 3.6V and  $-40^{\circ}\text{C} \leq T_A \leq 85^{\circ}\text{C}$ , respectively. Typical parameters apply to 5V and 3.3V at 25°C and are for design guidance only.

**Table 39. 5V AC External Clock Specifications**

Symbol	Description	Min	Typ	Max	Unit
F <sub>OSCEXT</sub>	Frequency	0.093	–	24.6	MHz
–	High Period	20.6	–	5300	ns
–	Low Period	20.6	–	–	ns
–	Power Up IMO to Switch	150	–	–	μs

**Table 40. 3.3V AC External Clock Specifications**

Symbol	Description	Min	Typ	Max	Unit
F <sub>OSCEXT</sub>	Frequency with CPU Clock divide by 1 <sup>[19]</sup>	0.093	–	12.3	MHz
F <sub>OSCEXT</sub>	Frequency with CPU Clock divide by 2 or greater <sup>[20]</sup>	0.186	–	24.6	MHz
–	High Period with CPU Clock divide by 1	41.7	–	5300	ns
–	Low Period with CPU Clock divide by 1	41.7	–	–	ns
–	Power Up IMO to Switch	150	–	–	μs

*AC Programming Specifications*

The following table lists guaranteed maximum and minimum specifications for the voltage and temperature ranges: 4.75V to 5.25V and  $-40^{\circ}\text{C} \leq T_A \leq 85^{\circ}\text{C}$ , or 3.0V to 3.6V and  $-40^{\circ}\text{C} \leq T_A \leq 85^{\circ}\text{C}$ , respectively. Typical parameters apply to 5V and 3.3V at 25°C and are for design guidance only.

**Table 41. AC Programming Specifications**

Symbol	Description	Min	Typ	Max	Unit	Notes
T <sub>RSCLK</sub>	Rise Time of SCLK	1	–	20	ns	
T <sub>FSCLK</sub>	Fall Time of SCLK	1	–	20	ns	
T <sub>SSCLK</sub>	Data Set up Time to Falling Edge of SCLK	40	–	–	ns	
T <sub>HSCLK</sub>	Data Hold Time from Falling Edge of SCLK	40	–	–	ns	
F <sub>SCLK</sub>	Frequency of SCLK	0	–	8	MHz	
T <sub>ERASEB</sub>	Flash Erase Time (Block)	–	30	–	ms	
T <sub>WRITE</sub>	Flash Block Write Time	–	10	–	ms	
T <sub>DSCLK</sub>	Data Out Delay from Falling Edge of SCLK	–	–	45	ns	V <sub>dd</sub> > 3.6
T <sub>DSCLK3</sub>	Data Out Delay from Falling Edge of SCLK	–	–	50	ns	3.0 ≤ V <sub>dd</sub> ≤ 3.6
T <sub>ERASEALL</sub>	Flash Erase Time (Bulk)	–	95	–	ms	Erase all Blocks and protection fields at once
T <sub>PROGRAM_HOT</sub>	Flash Block Erase + Flash Block Write Time	–	–	80 <sup>[21]</sup>	ms	0°C ≤ T <sub>j</sub> ≤ 100°C
T <sub>PROGRAM_COLD</sub>	Flash Block Erase + Flash Block Write Time	–	–	160 <sup>[21]</sup>	ms	-40°C ≤ T <sub>j</sub> ≤ 0°C

**Notes**

19. Maximum CPU frequency is 12 MHz at 3.3V. With the CPU clock divider set to 1, the external clock must adhere to the maximum frequency and duty cycle requirements.
20. If the frequency of the external clock is greater than 12 MHz, the CPU clock divider must be set to 2 or greater. In this case, the CPU clock divider ensures that the fifty percent duty cycle requirement is met.
21. For the full industrial range, the user must employ a temperature sensor user module (FlashTemp) and feed the result to the temperature argument before writing. Refer to the Flash APIs Application Note AN2015 at <http://www.cypress.com> under Application Notes for more information.



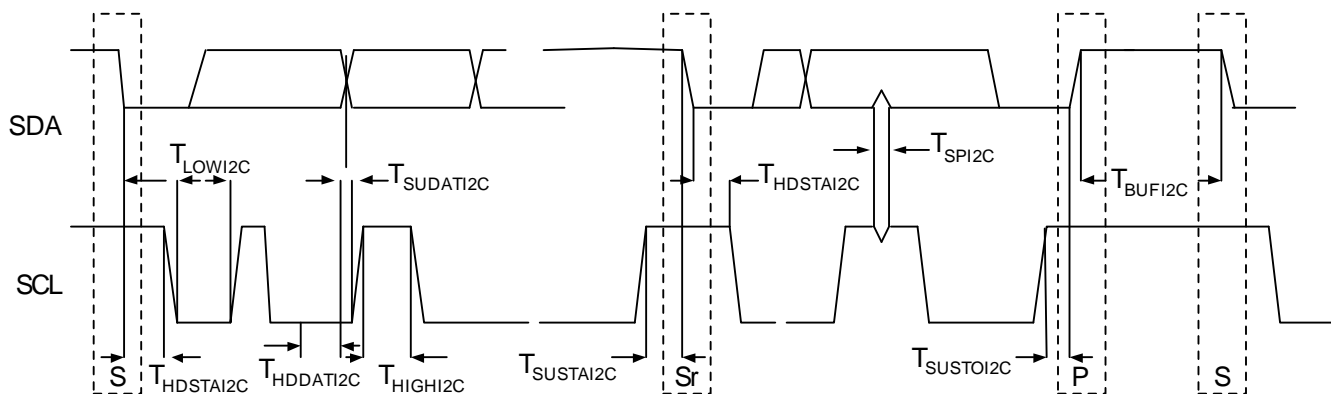
**AC I<sup>2</sup>C Specifications**

The following table lists guaranteed maximum and minimum specifications for the voltage and temperature ranges: 4.75V to 5.25V and  $-40^{\circ}\text{C} \leq T_A \leq 85^{\circ}\text{C}$ , or 3.0V to 3.6V and  $-40^{\circ}\text{C} \leq T_A \leq 85^{\circ}\text{C}$ , respectively. Typical parameters apply to 5V and 3.3V at 25°C and are for design guidance only.

**Table 42. AC Characteristics of the I<sup>2</sup>C SDA and SCL Pins**

Symbol	Description	Standard Mode		Fast Mode		Unit
		Min	Max	Min	Max	
F <sub>SCL I2C</sub>	SCL Clock Frequency	0	100	0	400	kHz
T <sub>HDSTAI2C</sub>	Hold Time (repeated) START Condition. After this period, the first clock pulse is generated.	4.0	–	0.6	–	μs
T <sub>LOWI2C</sub>	LOW Period of the SCL Clock	4.7	–	1.3	–	μs
T <sub>HIGHI2C</sub>	HIGH Period of the SCL Clock	4.0	–	0.6	–	μs
T <sub>SUSTA I2C</sub>	Set-up Time for a Repeated START Condition	4.7	–	0.6	–	μs
T <sub>HDDATI2C</sub>	Data Hold Time	0	–	0	–	μs
T <sub>SUDATI2C</sub>	Data Set-up Time	250	–	100 <sup>[22]</sup>	–	ns
T <sub>SUSTOI2C</sub>	Set-up Time for STOP Condition	4.0	–	0.6	–	μs
T <sub>BUFI2C</sub>	Bus Free Time Between a STOP and START Condition	4.7	–	1.3	–	μs
T <sub>SPI2C</sub>	Pulse Width of spikes are suppressed by the input filter.	–	–	0	50	ns

**Figure 20. Definition for Timing for Fast/Standard Mode on the I2C Bus**



**Note**

22. A Fast-Mode I2C-bus device can be used in a Standard-Mode I2C-bus system, but the requirement  $t_{SU, DAT} \geq 250$  ns must then be met. This is automatically the case if the device does not stretch the LOW period of the SCL signal. If such device does stretch the LOW period of the SCL signal, it must output the next data bit to the SDA line  $t_{rmax} + t_{SU, DAT} = 1000 + 250 = 1250$  ns (according to the Standard-Mode I2C-bus specification) before the SCL line is released.

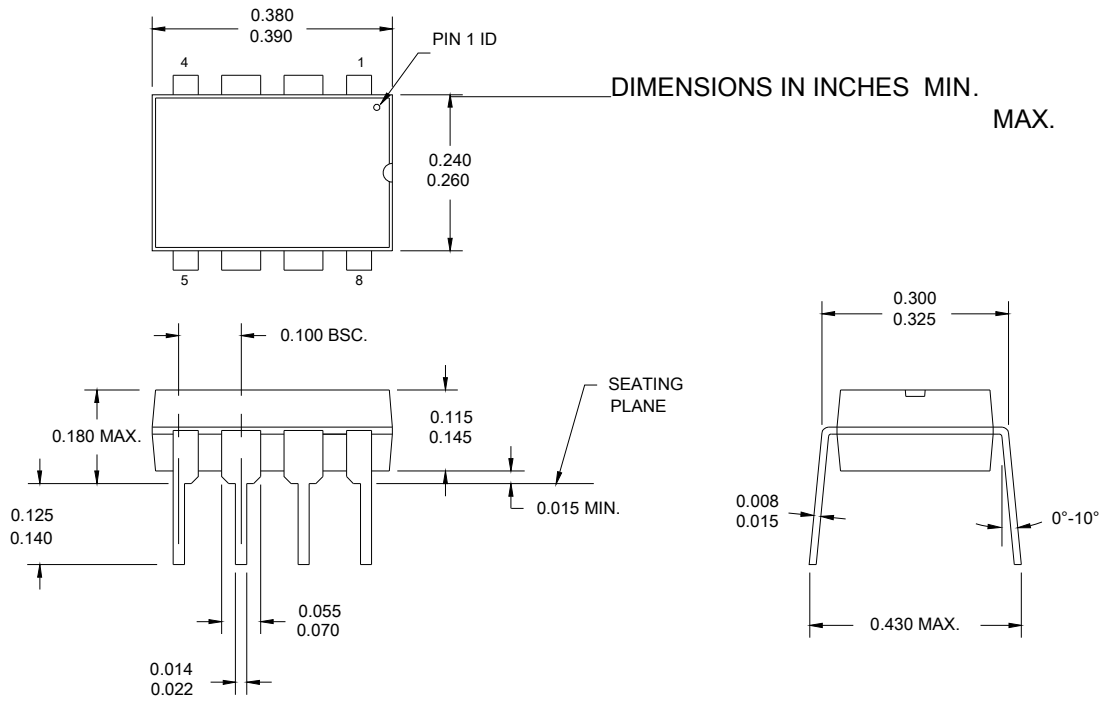
## Packaging Information

This section illustrates the packaging specifications for the CY8C27x43 PSoC device, along with the thermal impedances for each package and the typical package capacitance on crystal pins.

**Important Note** Emulation tools may require a larger area on the target PCB than the chip's footprint. For a detailed description of the emulation tools' dimensions, refer to the emulator pod drawings at <http://www.cypress.com>.

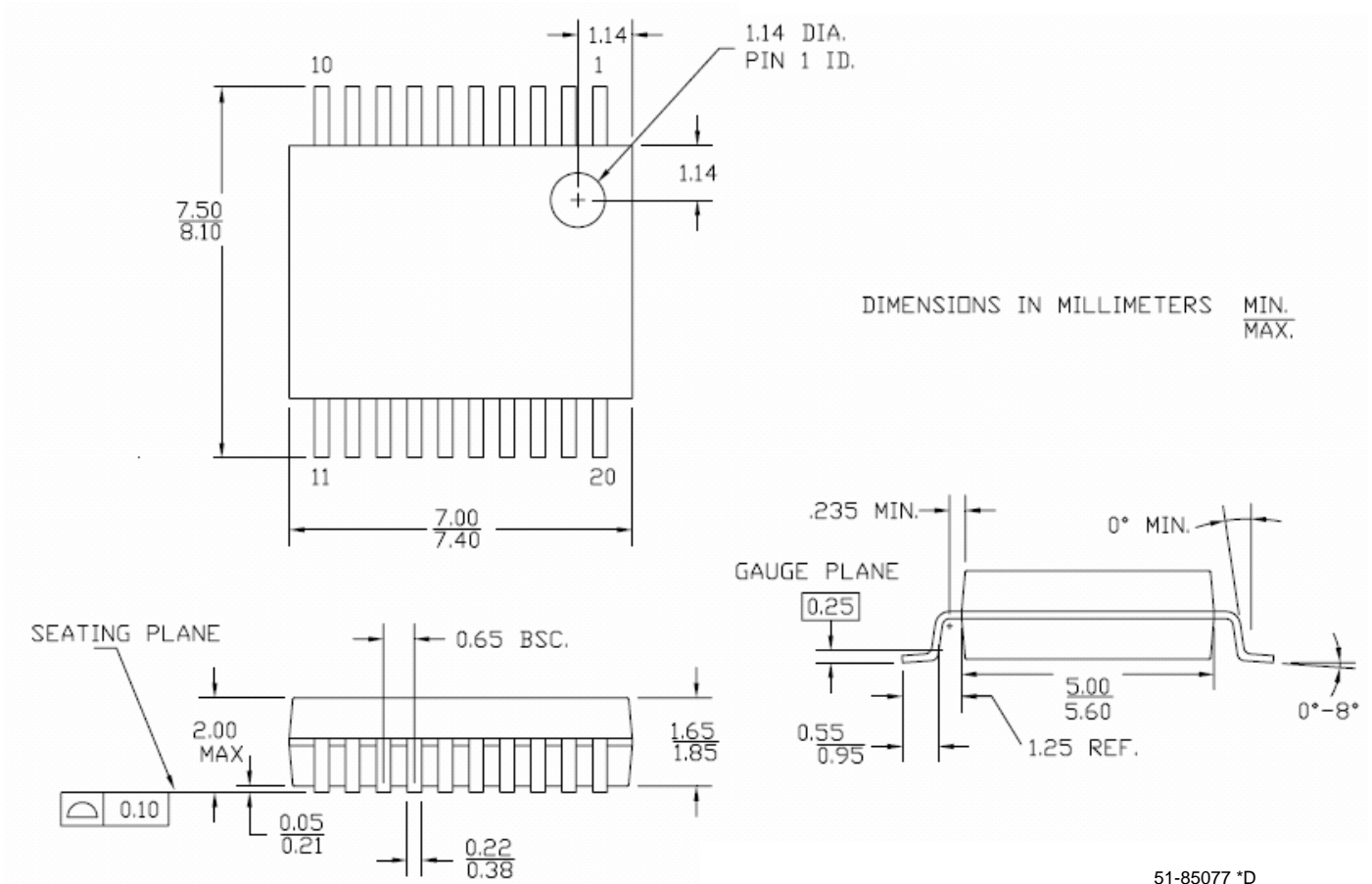
### Packaging Dimensions

**Figure 21. 8-Pin (300-Mil) PDIP**

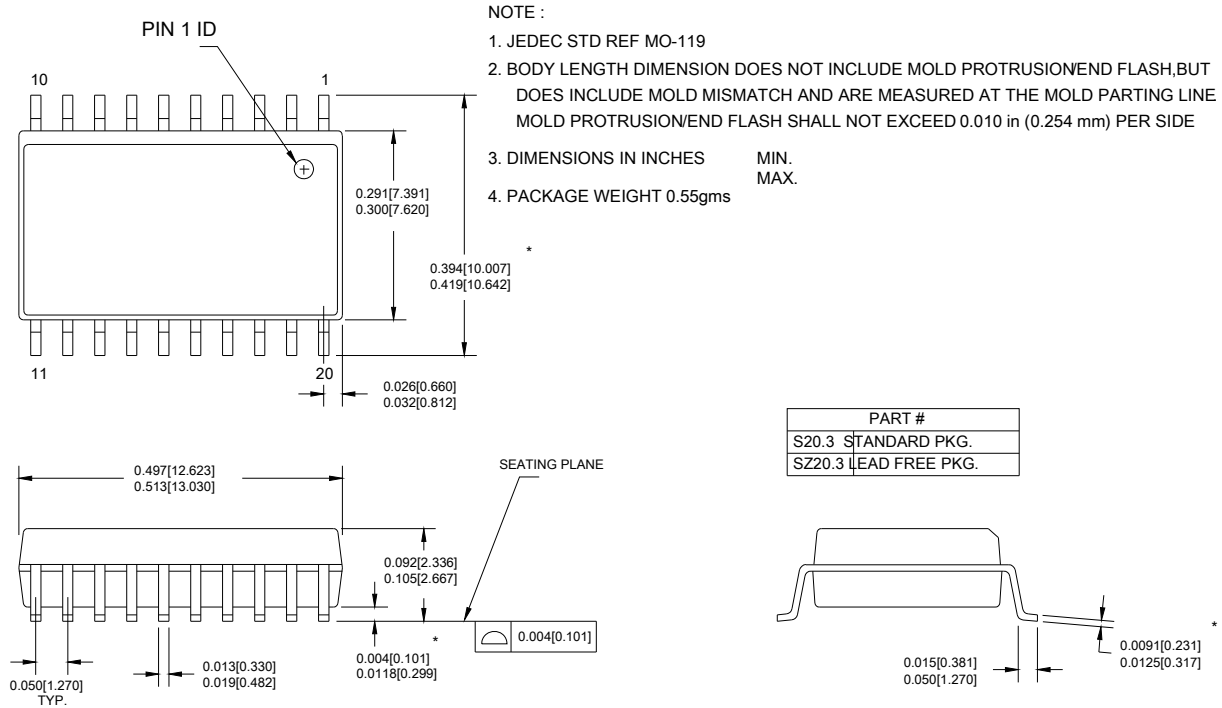


51-85075 \*B

**Figure 22. 20-Pin (210-Mil) SSOP**

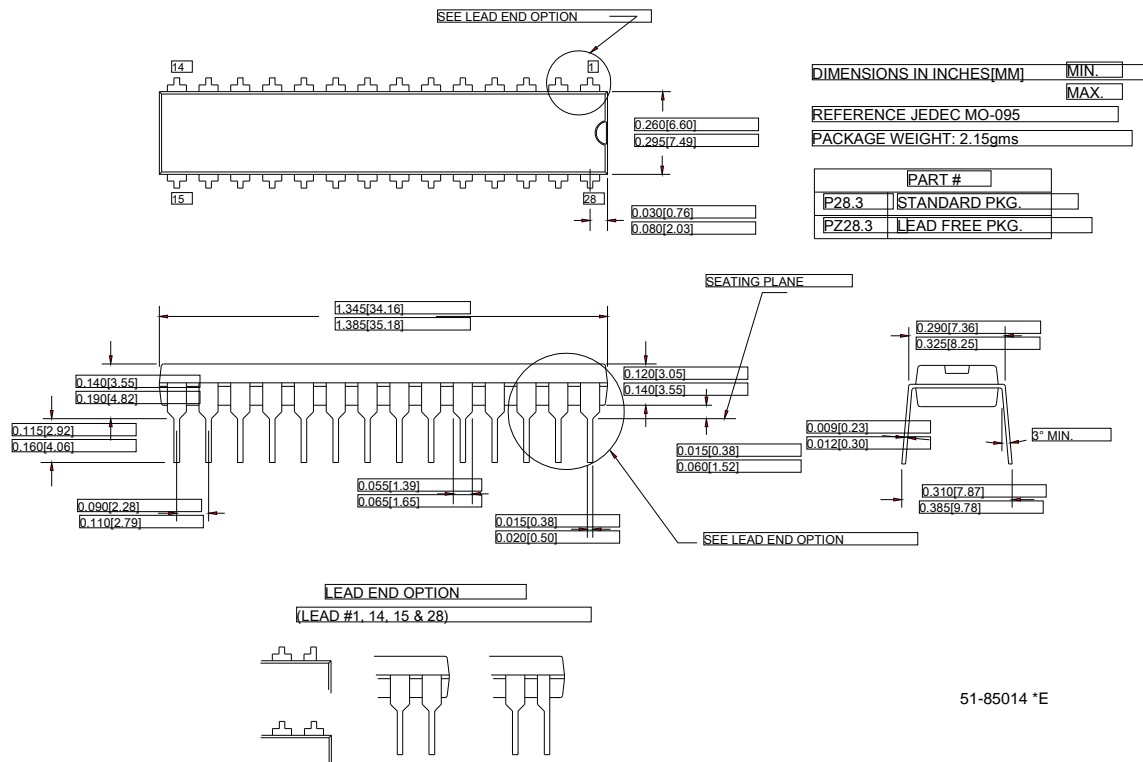


**Figure 23. 20-Pin (300-Mil) Molded SOIC**



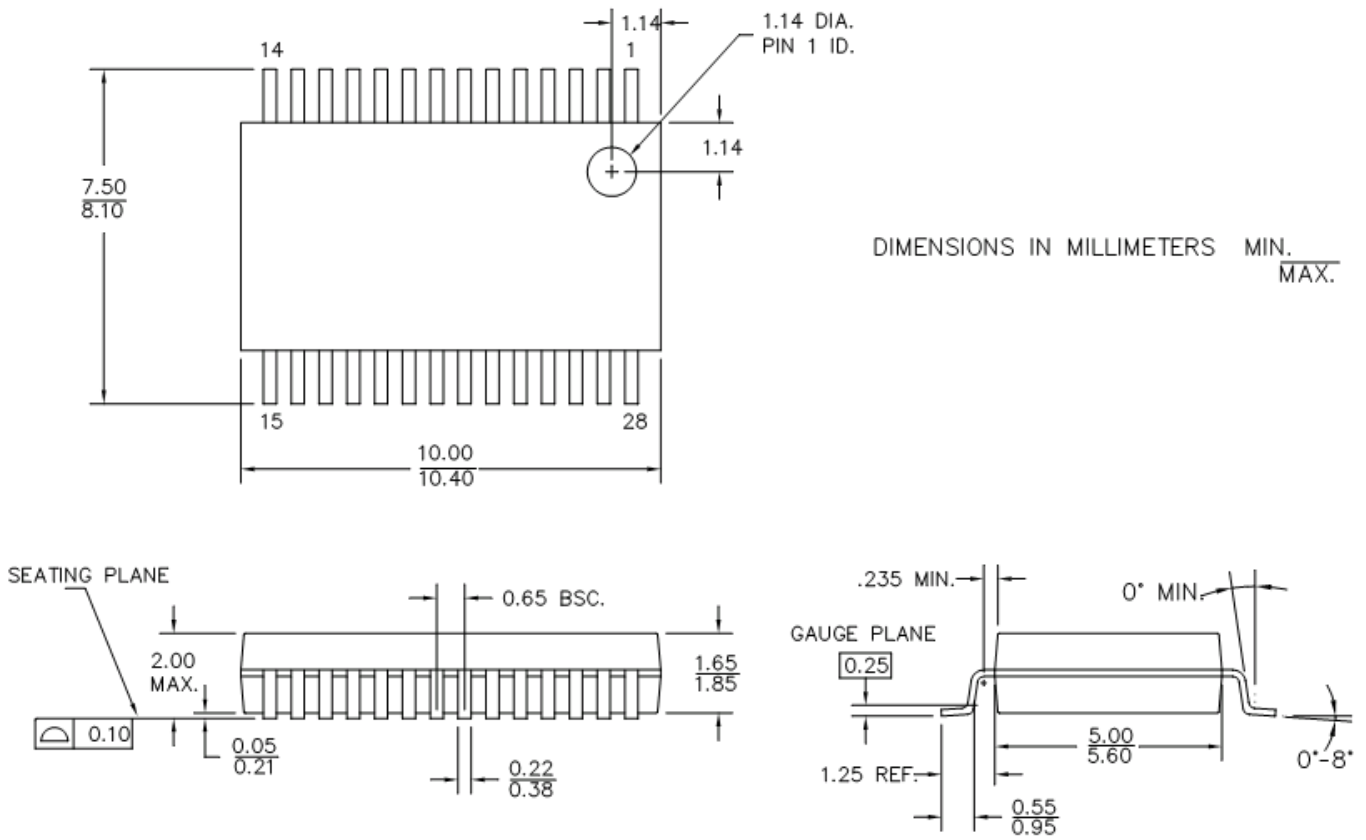
51-85024 \*D

**Figure 24. 28-Pin (300-Mil) Molded DIP**



51-85014 \*E

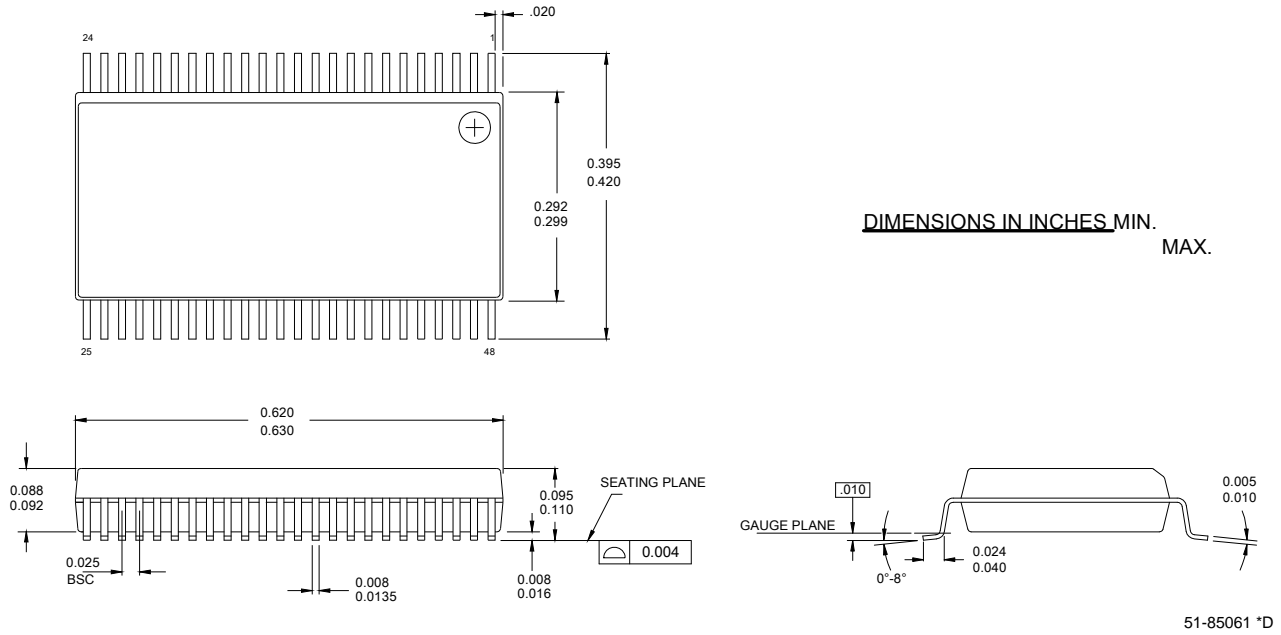
**Figure 25. 28-Pin (210-Mil) SSOP**



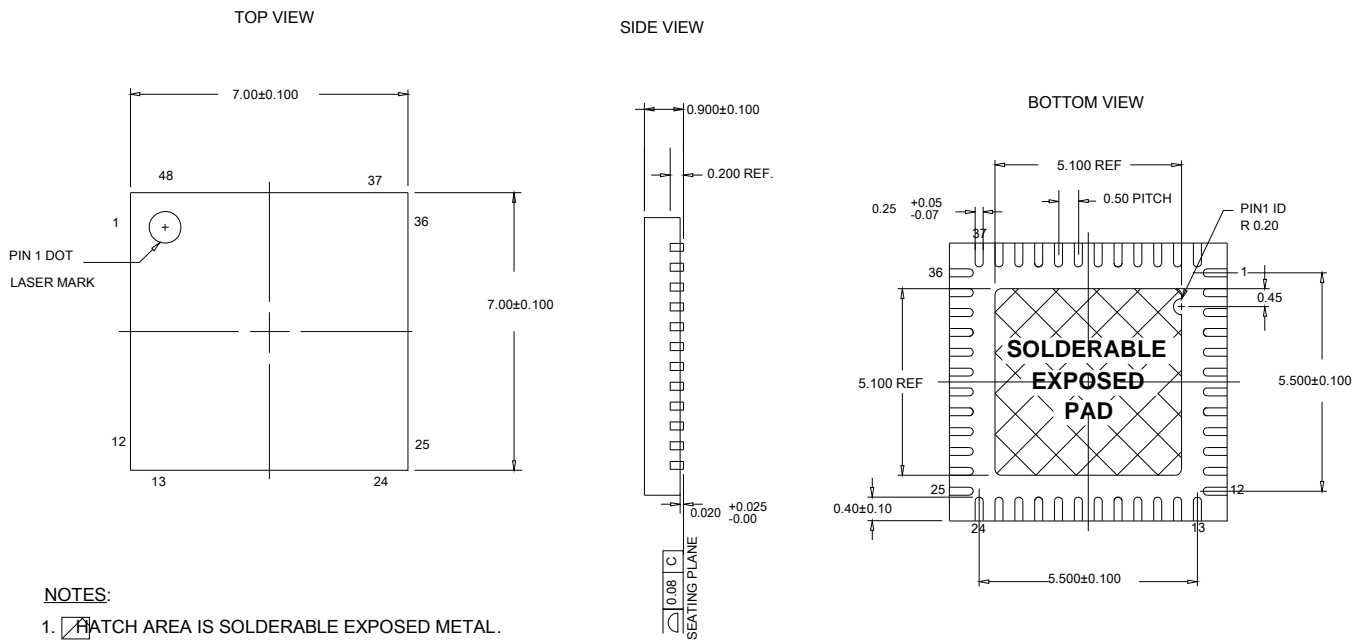
51-85079 \*D



**Figure 28. 48-Pin (300-Mil) SSOP**



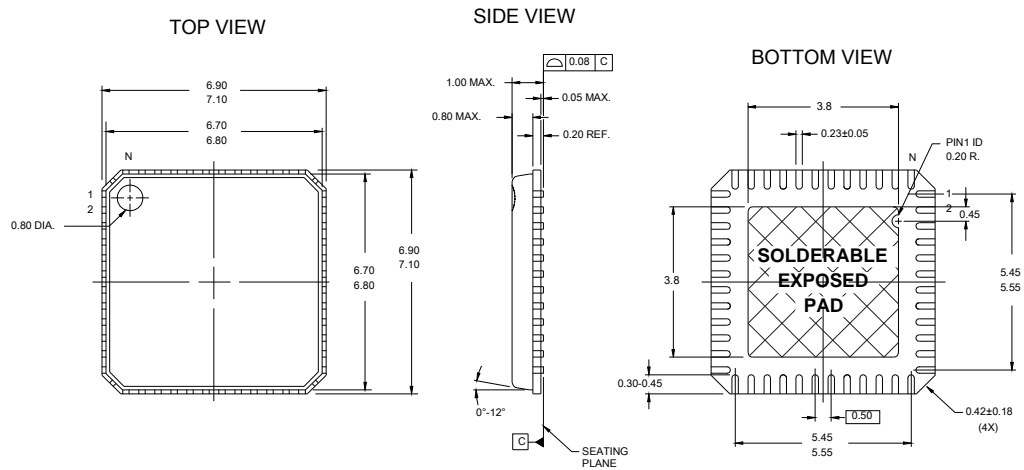
**Figure 29. 48-Pin QFN 7x7x 0.90 MM (Sawn Type)**



001-13191 \*E



**Figure 30. 48-Pin (7x7 mm) QFN**



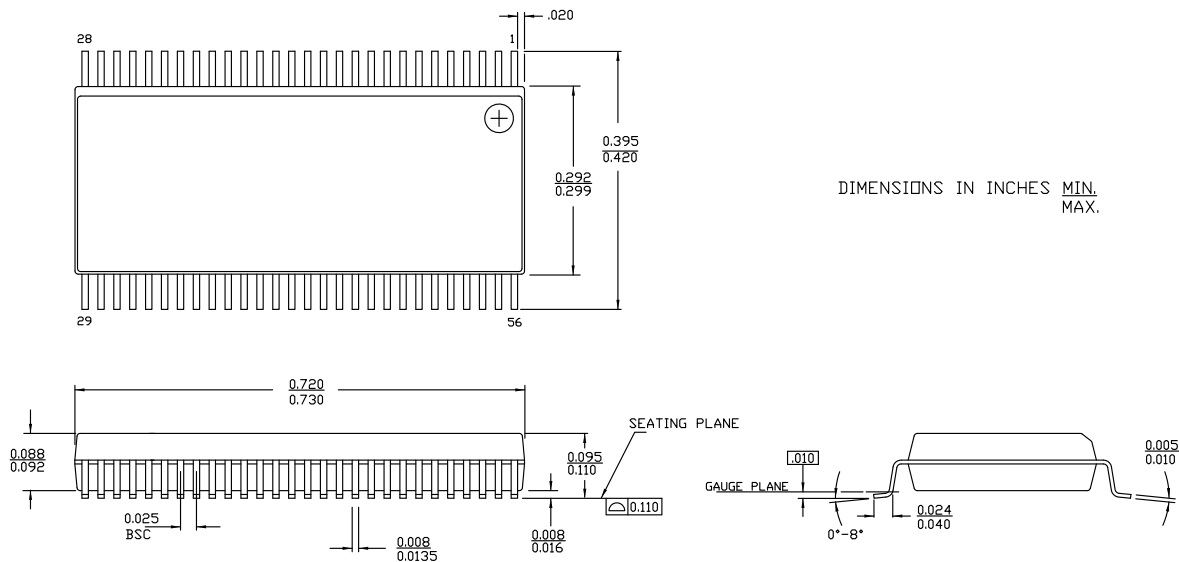
**NOTES:**

1. [Hatched Area] PATCH AREA IS SOLDERABLE EXPOSED METAL.
2. REFERENCE JEDEC#: MO-220
3. PACKAGE WEIGHT: 0.13g
4. ALL DIMENSIONS ARE IN MM [MIN/MAX]
5. PACKAGE CODE

PART #	DESCRIPTION
LF48	STANDARD
LY48	LEAD FREE

51-85152 \*D

**Figure 31. 56-Pin (300-Mil) SSOP**



51-85062 \*D

**Important Note** For information on the preferred dimensions for mounting QFN packages, see the following application note, "Application Notes for Surface Mount Assembly of Amkor's MicroLeadFrame (MLF) Packages" available at <http://www.amkor.com>.

**Thermal Impedances**

**Table 43. Thermal Impedances per Package**

Package	Typical $\theta_{JA}$ *
8 PDIP	120 °C/W
20 SSOP	116 °C/W
20 SOIC	79 °C/W
28 PDIP	67 °C/W
28 SSOP	95 °C/W
28 SOIC	68 °C/W
44 TQFP	61 °C/W
48 SSOP	69 °C/W
48 QFN**	18 °C/W
56 SSOP	47 °C/W

\*  $T_J = T_A + \text{POWER} \times \theta_{JA}$

\*\* To achieve the thermal impedance specified for the QFN package, refer to "Application Notes for Surface Mount Assembly of Amkor's MicroLeadFrame (MLF) Packages" available at <http://www.amkor.com>.

**Capacitance on Crystal Pins**

**Table 44. Typical Package Capacitance on Crystal Pins**

Package	Package Capacitance
8 PDIP	2.8 pF
20 SSOP	2.6 pF
20 SOIC	2.5 pF
28 PDIP	3.5 pF
28 SSOP	2.8 pF
28 SOIC	2.7 pF
44 TQFP	2.6 pF
48 SSOP	3.3 pF
48 QFN	2.3 pF
56 SSOP	3.3 pF

**Solder Reflow Peak Temperature**

Following is the minimum solder reflow peak temperature to achieve good solderability.

**Table 45. Solder Reflow Peak Temperature**

Package	Minimum Peak Temperature*	Maximum Peak Temperature
8 PDIP	240°C	260°C
20 SSOP	240°C	260°C
20 SOIC	240°C	260°C
28 PDIP	240°C	260°C
28 SSOP	240°C	260°C
28 SOIC	240°C	260°C
44 TQFP	240°C	260°C
48 SSOP	220°C	260°C
48 QFN	240°C	260°C
56 SSOP	240°C	260°C

\*Refer to Table 47 on page 51.

\*\*Higher temperatures may be required based on the solder melting point. Typical temperatures for solder are 220 ± 5°C with Sn-Pb or 245 ± 5°C with Sn-Ag-Cu paste. Refer to the solder manufacturer specifications.

## Development Tool Selection

This chapter presents the development tools available for all current PSoC device families including the CY8C27x43 family.

### Software

#### *PSoC Designer™*

At the core of the PSoC development software suite is PSoC Designer, used to generate PSoC firmware applications. PSoC Designer is available free of charge at <http://www.cypress.com> and includes a free C compiler.

#### *PSoC Programmer*

Flexible enough to be used on the bench in development, yet suitable for factory programming, PSoC Programmer works either as a standalone programming application or it can operate directly from PSoC Designer or PSoC Express. PSoC Programmer software is compatible with both PSoC ICE-Cube In-Circuit Emulator and PSoC MiniProg. PSoC programmer is available free of charge at <http://www.cypress.com>.

### Development Kits

All development kits can be purchased from the Cypress Online Store.

#### *CY3215-DK Basic Development Kit*

The CY3215-DK is for prototyping and development with PSoC Designer. This kit supports in-circuit emulation and the software interface allows users to run, halt, and single step the processor and view the content of specific memory locations. Advance emulation features also supported through PSoC Designer. The kit includes:

- PSoC Designer Software CD
- ICE-Cube In-Circuit Emulator
- ICE Flex-Pod for CY8C29x66 Family
- Cat-5 Adapter
- Mini-Eval Programming Board
- 110 ~ 240V Power Supply, Euro-Plug Adapter
- iMAGEcraft C Compiler
- ISSP Cable
- USB 2.0 Cable and Blue Cat-5 Cable
- 2 CY8C29466-24PXI 28-PDIP Chip Samples

### Evaluation Tools

All evaluation tools can be purchased from the Cypress Online Store.

#### *CY3210-MiniProg1*

The CY3210-MiniProg1 kit allows a user to program PSoC devices via the MiniProg1 programming unit. The MiniProg is a small, compact prototyping programmer that connects to the PC via a provided USB 2.0 cable. The kit includes:

- MiniProg Programming Unit
- MiniEval Socket Programming and Evaluation Board
- 28-Pin CY8C29466-24PXI PDIP PSoC Device Sample
- 28-Pin CY8C27443-24PXI PDIP PSoC Device Sample
- PSoC Designer Software CD
- Getting Started Guide
- USB 2.0 Cable

#### *CY3210-PSoCEval1*

The CY3210-PSoCEval1 kit features an evaluation board and the MiniProg1 programming unit. The evaluation board includes an LCD module, potentiometer, LEDs, and plenty of bread-boarding space to meet all of your evaluation needs. The kit includes:

- Evaluation Board with LCD Module
- MiniProg Programming Unit
- 28-Pin CY8C29466-24PXI PDIP PSoC Device Sample (2)
- PSoC Designer Software CD
- Getting Started Guide
- USB 2.0 Cable

#### *CY3214-PSoCEvalUSB*

The CY3214-PSoCEvalUSB evaluation kit features a development board for the CY8C24794-24LFXI PSoC device. Special features of the board include both USB and capacitive sensing development and debugging support. This evaluation board also includes an LCD module, potentiometer, LEDs, an enunciator and plenty of bread boarding space to meet all of your evaluation needs. The kit includes:

- PSoCEvalUSB Board
- LCD Module
- MiniProg Programming Unit
- Mini USB Cable
- PSoC Designer and Example Projects CD
- Getting Started Guide
- Wire Pack

### Device Programmers

All device programmers can be purchased from the Cypress Online Store.

#### CY3216 Modular Programmer

The CY3216 Modular Programmer kit features a modular programmer and the MiniProg1 programming unit. The modular programmer includes three programming module cards and supports multiple Cypress products. The kit includes:

- Modular Programmer Base
- 3 Programming Module Cards
- MiniProg Programming Unit
- PSoC Designer Software CD
- Getting Started Guide
- USB 2.0 Cable

#### CY3207ISSP In-System Serial Programmer (ISSP)

The CY3207ISSP is a production programmer. It includes protection circuitry and an industrial case that is more robust than the MiniProg in a production-programming environment.

**Note:** CY3207ISSP needs special software and is not compatible with PSoC Programmer. The kit includes:

- CY3207 Programmer Unit
- PSoC ISSP Software CD
- 110 ~ 240V Power Supply, Euro-Plug Adapter
- USB 2.0 Cable

### Accessories (Emulation and Programming)

**Table 46. Emulation and Programming Accessories**

Part #	Pin Package	Flex-Pod Kit <sup>[23]</sup>	Foot Kit <sup>[24]</sup>	Adapter <sup>[25]</sup>
CY8C27143-24PXI	8 PDIP	CY3250-27XXX	CY3250-8PDIP-FK	Adapters can be found at <a href="http://www.emulation.com">http://www.emulation.com</a> .
CY8C27243-24PVXI	20 SSOP	CY3250-27XXX	CY3250-20SSOP-FK	
CY8C27243-24SXI	20 SOIC	CY3250-27XXX	CY3250-20SOIC-FK	
CY8C27443-24PXI	28 PDIP	CY3250-27XXX	CY3250-28PDIP-FK	
CY8C27443-24PVXI	28 SSOP	CY3250-27XXX	CY3250-28SSOP-FK	
CY8C27443-24SXI	28 SOIC	CY3250-27XXX	CY3250-28SOIC-FK	
CY8C27543-24AXI	44 TQFP	CY3250-27XXX	CY3250-44TQFP-FK	
CY8C27643-24PVXI	48 SSOP	CY3250-27XXX	CY3250-48SSOP-FK	
CY8C27643-24LFXI	48 QFN	CY3250-27XXXQFN	CY3250-48QFN-FK	
CY8C27643-24LKXI	48 QFN	CY3250-27XXXQFN	CY3250-48QFN-FK	
CY8C27643-24LTXI	48 QFN	CY3250-27XXXQFN	CY3250-48QFN-FK	

#### Notes

23. Flex-Pod kit includes a practice flex-pod and a practice PCB, in addition to two flex-pods.

24. Foot kit includes surface mount feet that can be soldered to the target PCB.

25. Programming adapter converts non-DIP package to DIP footprint. Specific details and ordering information for each of the adapters can be found at <http://www.emulation.com>.

## Ordering Information

The following table lists the CY8C27x43 PSoC device's key package features and ordering codes.

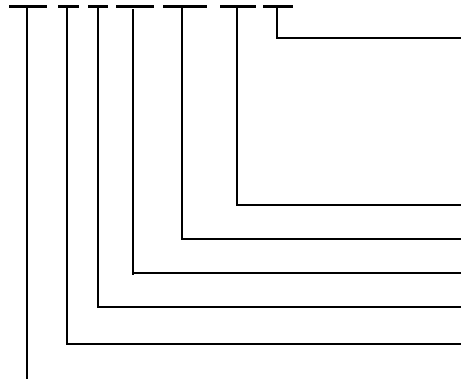
**Table 47. CY8C27x43 PSoC Device Key Features and Ordering Information**

Package	Ordering Code	Flash (Bytes)	RAM (Bytes)	Switch Mode Pump	Temperature Range	Digital Blocks (Rows of 4)	Analog Blocks (Columns of 3)	Digital I/O Pins	Analog Inputs	Analog Outputs	XRES Pin
8 Pin (300 Mil) DIP	CY8C27143-24PXI	16K	256	No	-40C to +85C	8	12	6	4	4	No
20 Pin (210 Mil) SSOP	CY8C27243-24PVXI	16K	256	Yes	-40C to +85C	8	12	16	8	4	Yes
20 Pin (210 Mil) SSOP (Tape and Reel)	CY8C27243-24PVXIT	16K	256	Yes	-40C to +85C	8	12	16	8	4	Yes
20 Pin (300 Mil) SOIC	CY8C27243-24SXI	16K	256	Yes	-40C to +85C	8	12	16	8	4	Yes
20 Pin (300 Mil) SOIC (Tape and Reel)	CY8C27243-24SXIT	16K	256	Yes	-40C to +85C	8	12	16	8	4	Yes
28 Pin (300 Mil) DIP	CY8C27443-24PXI	16K	256	Yes	-40C to +85C	8	12	24	12	4	Yes
28 Pin (210 Mil) SSOP	CY8C27443-24PVXI	16K	256	Yes	-40C to +85C	8	12	24	12	4	Yes
28 Pin (210 Mil) SSOP (Tape and Reel)	CY8C27443-24PVXIT	16K	256	Yes	-40C to +85C	8	12	24	12	4	Yes
28 Pin (300 Mil) SOIC	CY8C27443-24SXI	16K	256	Yes	-40C to +85C	8	12	24	12	4	Yes
28 Pin (300 Mil) SOIC (Tape and Reel)	CY8C27443-24SXIT	16K	256	Yes	-40C to +85C	8	12	24	12	4	Yes
44 Pin TQFP	CY8C27543-24AXI	16K	256	Yes	-40C to +85C	8	12	40	12	4	Yes
44 Pin TQFP (Tape and Reel)	CY8C27543-24AXIT	16K	256	Yes	-40C to +85C	8	12	40	12	4	Yes
48 Pin (300 Mil) SSOP	CY8C27643-24PVXI	16K	256	Yes	-40C to +85C	8	12	44	12	4	Yes
48 Pin (300 Mil) SSOP (Tape and Reel)	CY8C27643-24PVXIT	16K	256	Yes	-40C to +85C	8	12	44	12	4	Yes
48 Pin (7x7) QFN	CY8C27643-24LFXI	16K	256	Yes	-40C to +85C	8	12	44	12	4	Yes
48 Pin (7x7) QFN (Tape and Reel)	CY8C27643-24LFXIT	16K	256	Yes	-40C to +85C	8	12	44	12	4	Yes
48 Pin (7X7X 0.90 MM) QFN (Sawn)	CY8C27643-24LTXI	16K	256	Yes	-40C to +85C	8	12	44	12	4	Yes
48 Pin (7X7X 0.90 MM) QFN (Sawn)	CY8C27643-24LTXIT	16K	256	Yes	-40C to +85C	8	12	44	12	4	Yes
56 Pin OCD SSOP	CY8C27002-24PVX <sup>[26]</sup>	16K	256	Yes	-40C to +85C	8	12	44	14	4	Yes

**Note** For Die sales information, contact a local Cypress sales office or Field Applications Engineer (FAE).

## Ordering Code Definitions

### CY 8 C 27 xxx-24xx



Package Type:  
 PX = PDIP Pb-Free  
 SX = SOIC Pb-Free  
 PVX = SSOP Pb-Free  
 LFX/LKX/LTX /LQX/LCX= QFN Pb-Free  
 AX = TQFP Pb-Free  
 Speed: 24 MHz  
 Part Number  
 Family Code  
 Technology Code: C = CMOS  
 Marketing Code: 8 = Cypress PSoC  
 Company ID: CY = Cypress

Thermal Rating:  
 C = Commercial  
 I = Industrial  
 E = Extended

**Note**  
 26. This part may be used for in-circuit debugging. It is NOT available for production.

## Document History Page

Document Title: CY8C27143, CY8C27243, CY8C27443, CY8C27543, CY8C27643 PSoC® Programmable System-on-Chip Document Number: 38-12012				
Revision	ECN No.	Submission Date	Origin of Change	Description of Change
**	127087	7/01/2003	New Silicon.	New document (Revision **).
*A	128780	7/29/2003	Engineering and NWJ.	New electrical spec additions, fix of Core Architecture links, corrections to some text, tables, drawings, and format.
*B	128992	8/14/2003	NWJ	Interrupt controller table fixed, refinements to Electrical Spec section and Register chapter.
*C	129283	8/28/2003	NWJ	Significant changes to the Electrical Specifications section.
*D	129442	9/09/2003	NWJ	Changes made to Electrical Spec section. Added 20/28-Lead SOIC packages and pinouts.
*E	130129	10/13/2003	NWJ	Revised document for Silicon Revision A.
*F	130651	10/28/2003	NWJ	Refinements to Electrical Specification section and I2C chapter.
*G	131298	11/18/2003	NWJ	Revisions to GDI, RDI, and Digital Block chapters. Revisions to AC Digital Block Spec and miscellaneous register changes.
*H	229416	See ECN	SFV	New data sheet format and organization. Reference the <i>PSoC Programmable System-on-Chip Technical Reference Manual</i> for additional information. Title change.
*I	247529	See ECN	SFV	Added Silicon B information to this data sheet.
*J	355555	See ECN	HMT	Add DS standards, update device table, swap 48-pin SSOP 45 and 46, add Reflow Peak Temp. table. Add new color and logo. Re-add pinout ISSP notation. Add URL to preferred dimensions for mounting MLF packages. Update Transmitter and Receiver AC Digital Block Electrical Specifications.
*K	523233	See ECN	HMT	Add Low Power Comparator (LPC) AC/DC electrical spec. tables. Add new Dev. Tool section. Add CY8C20x34 to PSoC Device Characteristics table. Add OCD pinout and package diagram. Add ISSP note to pinout tables. Update package diagram revisions. Update typical and recommended Storage Temperature per industrial specs. Update CY branding and QFN convention. Update copyright and trademarks.
*L	2545030	07/29/2008	YARA	Added note to DC Analog Reference Specification table and Ordering Information.
*M	2696188	04/22/2009	DPT/PYRS	Changed title from "CY8C27143, CY8C27243, CY8C27443, CY8C27543, and CY8C27643 PSoC Mixed Signal Array Final Data Sheet" to "CY8C27143, CY8C27243, CY8C27443, CY8C27543, CY8C27643 PSoC® Programmable System-on-Chip™". Updated data sheet template. Added 48-Pin QFN (Sawn) package outline diagram and Ordering information details for CY8C27643-24LTXI and CY8C27643-24LTXIT parts
*N	2762501	09/11/2009	MAXK	Updated DC GPIO, AC Chip-Level, and AC Programming Specifications as follows: Modified $T_{WRITE}$ specification. Replaced $T_{RAMP}$ (time) specification with $SR_{POWER\_UP}$ (slew rate) specification. Added note [9] to Flash Endurance specification. Added $I_{OH}$ , $I_{OL}$ , $DCILO$ , $F32K\_U$ , $T_{POWERUP}$ , $T_{ERASEALL}$ , $T_{PROGRAM\_HOT}$ , and $T_{PROGRAM\_COLD}$ specifications.
*O	2811860	11/20/2009	ECU	Added <a href="#">Contents</a> page. In the <a href="#">Ordering Information</a> table, added 48 Sawn QFN (LTXI) to the Silicon B parts. Updated 28-Pin package drawing (51-85014)



**Document Title: CY8C27143, CY8C27243, CY8C27443, CY8C27543, CY8C27643 PSoC® Programmable System-on-Chip  
Document Number: 38-12012**

Revision	ECN No.	Submission Date	Origin of Change	Description of Change
*P	2899847	03/26/10	NJF/HMI	Added CY8C27643-24LKXI and CY8C27643-24LTXI to <a href="#">Emulation and Programming Accessories</a> on page 50. Updated Cypress website links. Added T <sub>BAKETEMP</sub> and T <sub>BAKETIME</sub> parameters in <a href="#">Absolute Maximum Ratings</a> on page 20. Updated AC electrical specs. Updated Note in <a href="#">Packaging Information</a> on page 41. Updated package diagrams. Updated <a href="#">Thermal Impedances</a> , <a href="#">Solder Reflow Peak Temperature</a> , and <a href="#">Capacitance on Crystal Pins</a> . Removed Third Party Tools and Build a PSoC Emulator into your Board. Updated <a href="#">Ordering Code Definitions</a> on page 51. Updated <a href="#">Ordering Information</a> table. Updated links in <a href="#">Sales, Solutions, and Legal Information</a> .

## Sales, Solutions, and Legal Information

### Worldwide Sales and Design Support

Cypress maintains a worldwide network of offices, solution centers, manufacturer’s representatives, and distributors. To find the office closest to you, visit us at [Cypress Locations](#).

### Products

Automotive	<a href="http://cypress.com/go/automotive">cypress.com/go/automotive</a>
Clocks & Buffers	<a href="http://cypress.com/go/clocks">cypress.com/go/clocks</a>
Interface	<a href="http://cypress.com/go/interface">cypress.com/go/interface</a>
Lighting & Power Control	<a href="http://cypress.com/go/powerpsoc">cypress.com/go/powerpsoc</a> <a href="http://cypress.com/go/plc">cypress.com/go/plc</a>
Memory	<a href="http://cypress.com/go/memory">cypress.com/go/memory</a>
Optical & Image Sensing	<a href="http://cypress.com/go/image">cypress.com/go/image</a>
PSoC	<a href="http://cypress.com/go/psoc">cypress.com/go/psoc</a>
Touch Sensing	<a href="http://cypress.com/go/touch">cypress.com/go/touch</a>
USB Controllers	<a href="http://cypress.com/go/USB">cypress.com/go/USB</a>
Wireless/RF	<a href="http://cypress.com/go/wireless">cypress.com/go/wireless</a>

### PSoC Solutions

[psoc.cypress.com/solutions](http://psoc.cypress.com/solutions)  
 PSoC 1 | PSoC 3 | PSoC 5

© Cypress Semiconductor Corporation, 2003-2010. The information contained herein is subject to change without notice. Cypress Semiconductor Corporation assumes no responsibility for the use of any circuitry other than circuitry embodied in a Cypress product. Nor does it convey or imply any license under patent or other rights. Cypress products are not warranted nor intended to be used for medical, life support, life saving, critical control or safety applications, unless pursuant to an express written agreement with Cypress. Furthermore, Cypress does not authorize its products for use as critical components in life-support systems where a malfunction or failure may reasonably be expected to result in significant injury to the user. The inclusion of Cypress products in life-support systems application implies that the manufacturer assumes all risk of such use and in doing so indemnifies Cypress against all charges.

Any Source Code (software and/or firmware) is owned by Cypress Semiconductor Corporation (Cypress) and is protected by and subject to worldwide patent protection (United States and foreign), United States copyright laws and international treaty provisions. Cypress hereby grants to licensee a personal, non-exclusive, non-transferable license to copy, use, modify, create derivative works of, and compile the Cypress Source Code and derivative works for the sole purpose of creating custom software and or firmware in support of licensee product to be used only in conjunction with a Cypress integrated circuit as specified in the applicable agreement. Any reproduction, modification, translation, compilation, or representation of this Source Code except as specified above is prohibited without the express written permission of Cypress.

Disclaimer: CYPRESS MAKES NO WARRANTY OF ANY KIND, EXPRESS OR IMPLIED, WITH REGARD TO THIS MATERIAL, INCLUDING, BUT NOT LIMITED TO, THE IMPLIED WARRANTIES OF MERCHANTABILITY AND FITNESS FOR A PARTICULAR PURPOSE. Cypress reserves the right to make changes without further notice to the materials described herein. Cypress does not assume any liability arising out of the application or use of any product or circuit described herein. Cypress does not authorize its products for use as critical components in life-support systems where a malfunction or failure may reasonably be expected to result in significant injury to the user. The inclusion of Cypress’ product in a life-support systems application implies that the manufacturer assumes all risk of such use and in doing so indemnifies Cypress against all charges.

Use may be limited by and subject to the applicable Cypress software license agreement.