

## Cypress RGB Lighting Demo

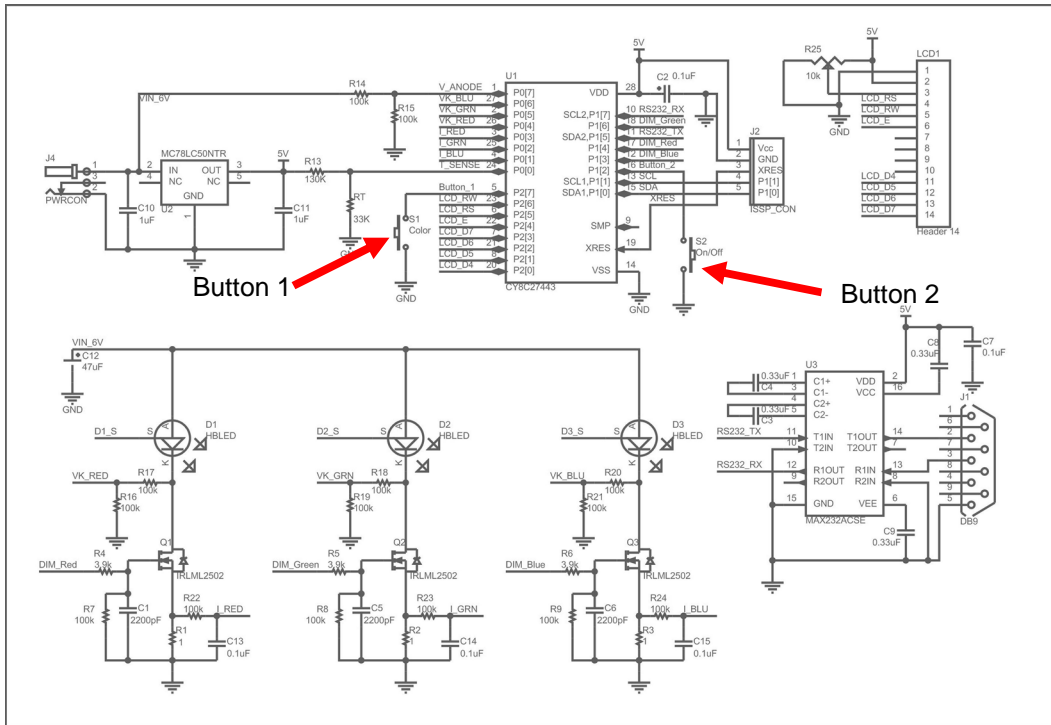
Kit Number CY3261-RGB

**Power Supply Warning** – This power supply was specifically chosen for this high power application. Make certain that you use the correct AC/DC adapter when you turn on the demonstration. The design requires 6V DC and at least 2.5A.

**LED Warning AVOID DIRECT EYE EXPOSURE.** Aim the mixed light at a wall or other object. You can use different optics as well.

**Buttons** (shown on schematic) The first button turns the demonstration **ON**. The second button scrolls through the six available colors: red, green, blue, white, violet, and amber.





**Kit Contents**

- Power Supply 6V DC 2.5A
- Circuit Board
- CD-ROM

The full size schematic is on the CD-ROM.

If you have questions, call the **Applications Hot Line 425.787.4814.**

[www.cypress.com/support](http://www.cypress.com/support)