

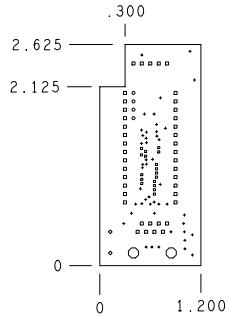
4

3

2

1

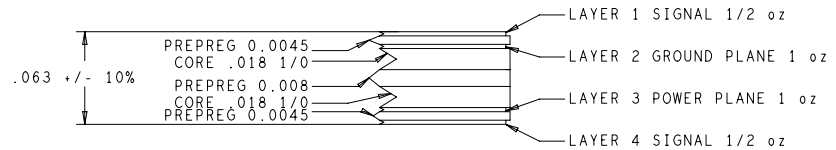
REVISIONS			
REV	DESCRIPTION	DATE	APPROVED
**	RELEASE FOR MANUFACTURING	12/06/05	CKS



DRILL CHART				
ALL UNITS ARE IN MILS				
FIGURE	SIZE	TOLERANCE	PLATED	QTY
•	10.0	+0.003 -0.010	PLATED	46
•	20.0	0.003	PLATED	17
•	35.0	0.003	PLATED	41
•	40.0	0.003	PLATED	4
•	43.0	0.003	PLATED	2
○	128.0	0.003	NON-PLATED	2

NOTES: UNLESS OTHERWISE SPECIFIED

- MATERIAL:
 - EPOXY GLASS LAMINATE AND PREPREG, TYPE FR-4.
 - USE HTE COPPER 1/2 oz. COPPER FOIL EXTERNAL LAYERS AND 1 oz. COPPER FOIL FOR INTERNAL LAYERS, UNLESS OTHERWISE SPECIFIED IN STACK VIEW.
 - OVERALL METAL TO METAL THICKNESS .063 +/- 10%
- DRILLING:
 - DIAMETERS IN DRILL TABLE ARE FINISHED HOLE SIZES +/- .003. UNLESS OTHERWISE SPECIFIED IN DRILL TABLE.
 - TEARDROP ALLOWED ON ENTRY OF VIA ON EVERY TRACE LAYER.
- PLATING:
 - COPPER PLATING IN THRU-HOLES .001 min.
- MARKING:
 - SILKSCREEN IN WHITE NON-CONDUCTIVE EPOXY INK ON PRIMARY SIDE OF THE BOARD OR BOTH SIDES IF APPLICABLE.
 - FABRICATOR TO ETCH DATE CODE AND LOGO ON SECONDARY SIDE.
- FINAL FABRICATION:
 - SOLDERMASK PRIMARY AND SECONDARY SIDE OF BOARD USING LIQUID PHOTOIMAGABLE MASK MATERIAL OVER BARE COPPER PER IPC-SM-840. MASK ARTWORKS PROVIDED ARE 1:1 SOLDERMASK COLOR **GREEN**.
- WHEN REQUIRED, COPPER FINISH SHALL BE FINISHED TIN-LEAD (60-40 MIN) HASL.
- BOARDS SHALL BE PURCHASED FROM UL RECOGNIZED VENDORS ONLY AND SHALL BE MARKED IN COPPER ON SECONDARY SIDE OF BOARD WITH VENDORS UL IDENTIFICATION. FLAMABILITY RATING (94-VO), AND DATE CODE (WYYY).
- MANUFACTURE BOARD TO BE IN ACCORDANCE WITH PERFORMANCE STANDARD IPC-6011/6012 CLASS 2 BOARD TO BE INSPECTED PER IPC-600-A CLASS 2.
- MAXIMUM WRAP OR TWIST SHALL NOT EXCEED .010 in/in.



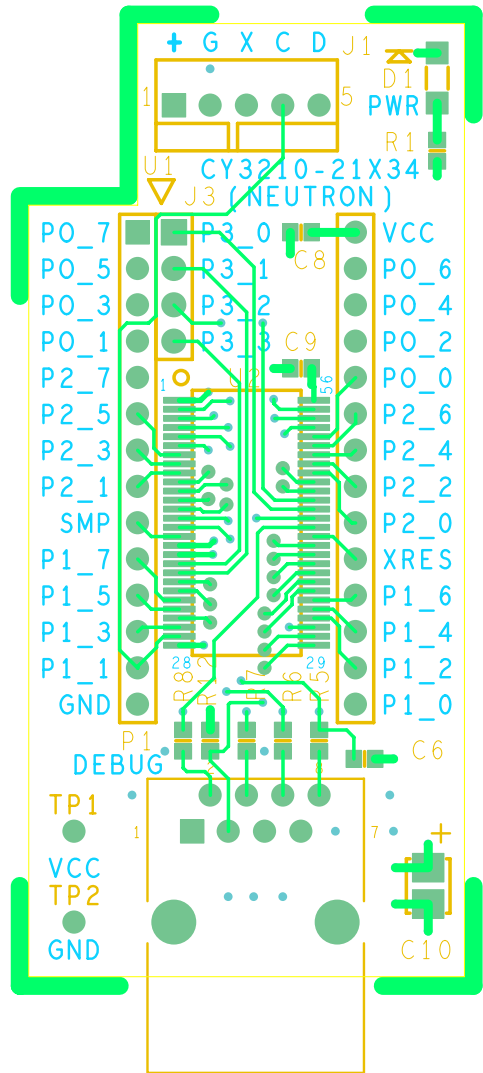
UNLESS OTHERWISE SPECIFIED DIMENSIONS ARE IN INCHES TOLERANCES ON: ANGLES +/- 2° 2 PL DECIMALS +/- .010 3 PL DECIMALS +/- .005 THIRD ANGLE PROJECTIONS	SIGNATURES	DATE	12230 World Trade Drive #200 San Diego, CA 92128 (858) 613-7931 FABRICATION DRAWING CY3210-21x34 (NEUTRON) POD MODULE DESIGN
	DRAWN ZMK	12/06/05	
	CHECKED ECU	12/06/05	
	ENGRG CKS	11/30/05	
CYPRESS PROPRIETARY THIS DOCUMENT CONTAINS CONFIDENTIAL PROPRIETARY INFORMATION THAT IS CYPRESS SEMICONDUCTOR PROPERTY. DO NOT DISCLOSE TO OR DUPLICATE FOR OTHERS EXCEPT AS AUTHORIZED BY CYPRESS.	ISSUED		SIZE C FSCM NO DWG NO PDC-9292 SCALE: 1/1 SHEET: 1 OF 1

4

3

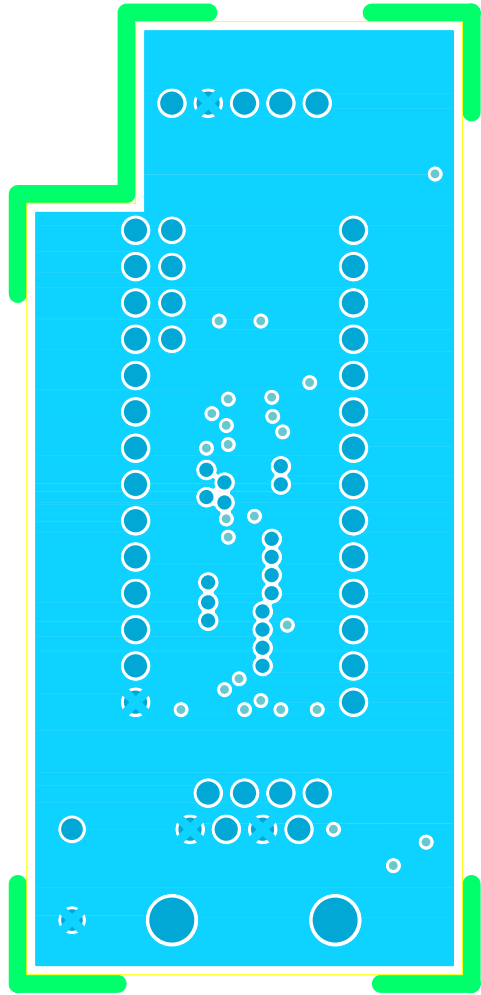
2

1

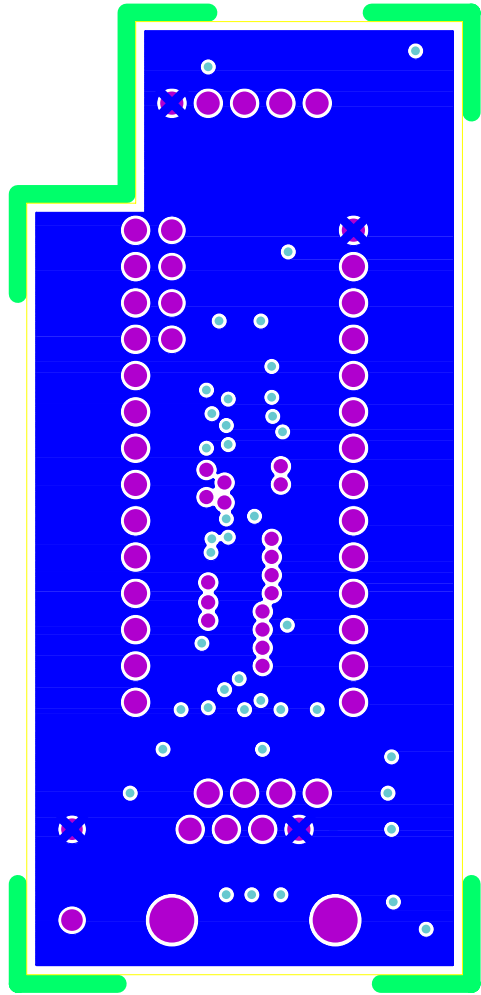


PDC-9292 REV ** PRIMARY SIDE

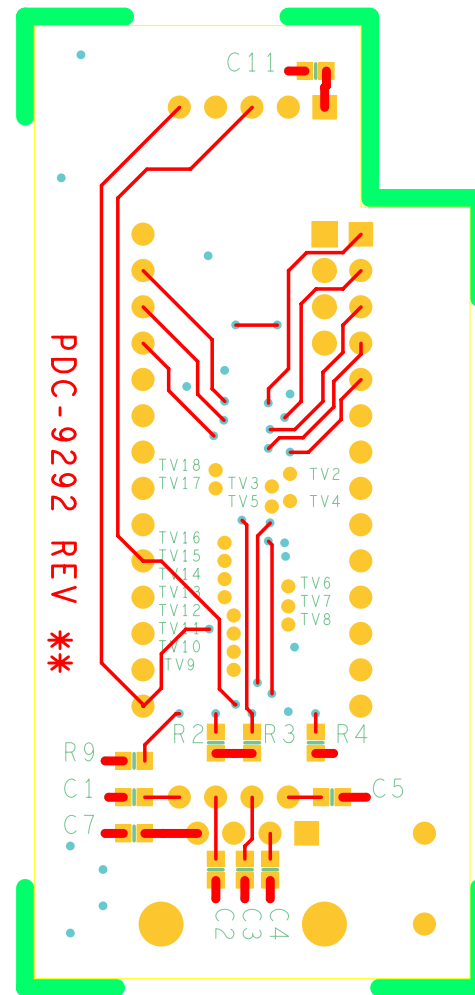
PDC-9292 REV ** PRIMARY SILKSCREEN



PDC-9292 REV** LAYER 2 GND



PDC-9292 REV** LAYER 3 VCC



PDC-9292 REV ** SECONDARY SIDE

PDC-9292 REV ** SECONDARY SILKSCREEN