

RECOMMENDED P.C.B. LAYOUT
TOLERANCE UNSPECIFIED ±0.05mm

USB TYPE-C FULL-FEATURED RECEPTACLE INTERFACE PIN ASSIGNMENTS

PIN	Signal Name	Description	PIN	Signal Name	Description
A1	GND	Ground return	B12	GND	Ground return
A2	SSTXp1	Positive half of first SuperSpeed TX differential pair	B11	SSRXp1	Positive half of first SuperSpeed RX differential pair
A3	SSTXn1	Negative half of first SuperSpeed TX differential pair	B10	SSRXn1	Negative half of first SuperSpeed RX differential pair
A4	Vbus	Bus Power	B9	VBUS	Bus Power
A5	CC1	Configuration Channel	B8	SBU2	Sideband Use(SBU)
A6	Dp1	Positive half of the USB 2.0 differential pair-Position 1	B7	Dn2	Negative half of the USB 2.0 differential pair-Position 2
A7	Dn1	Negative half of the USB 2.0 differential pair-Position 1	B6	Dp2	Positive half of the USB 2.0 differential pair-Position 2
A8	SBU1	Sideband Use(SBU)	B5	CC2	Configuration Channel
A9	VBUS	Bus Power	B4	VBUS	Bus Power
A10	SSRXn2	Negative half of second SuperSpeed RX differential pair	B3	SSTXn2	Negative half of second SuperSpeed TX differential pair
A11	SSRXp2	Positive half of second SuperSpeed RX differential pair	B2	SSTXp2	Positive half of second SuperSpeed TX differential pair
A12	GND	Ground return	B1	GND	Ground return

Lead Free Process

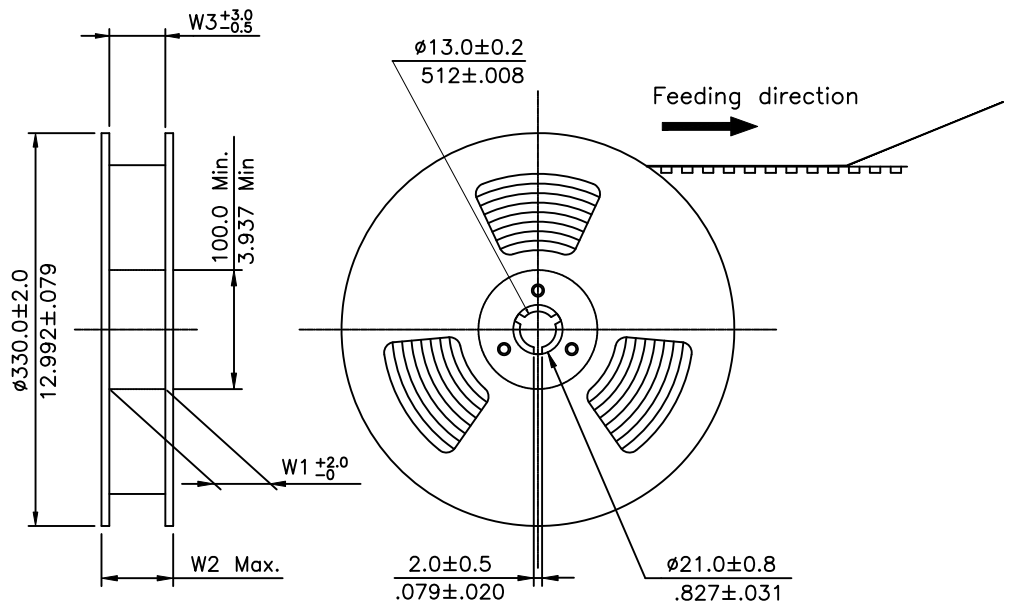
RoHS compliant



瀚荃股份有限公司
CviLux Corporation

SYM	NAME	DATE	REVISIONS	APPROVED BY:	DATE	UNIT: mm / inch	TITLE:
4					DATE	UNIT: mm / inch	TITLE: U.S.B TYPE C SOCKET DIP+SMT MIDDLE MOUNT RIGHT ANGLE
3				DRAWN BY: Mark	8/30-17'	TOLERANCE UNLESS OTHERWISE SPECIFIED .X ± 0.30/.012 X' ± 1" .XX ± 0.20/.008 .X' ± 0.5" .XXX ± 0.05/.002 .XX' ± 0.02'	MATERIAL:
2			ENGINEER: Mark	8/30-17'	FINISH:		
1	Mark	8/29-17'	ECRD117003	CHECKED BY: Andy			
				APPROVED BY: Andy	8/30-17'		

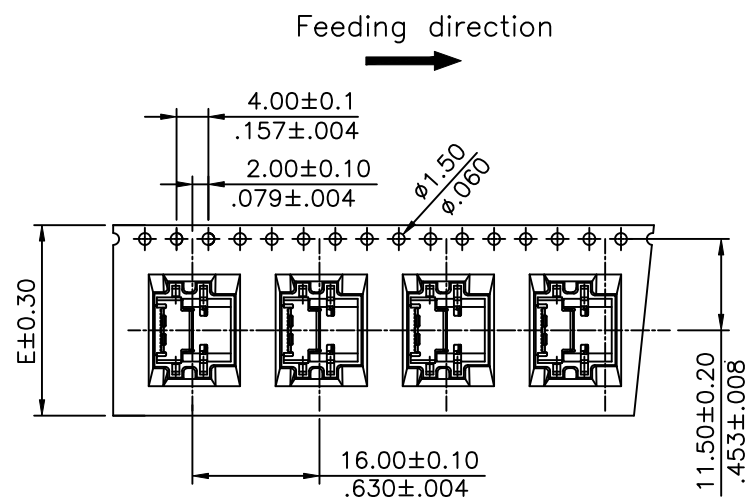
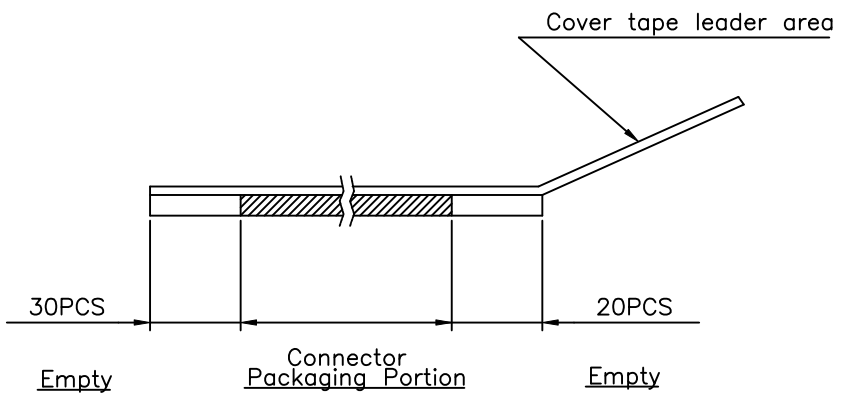
DRAWING NO.	CU1823SA	PART NO.	CU1824S*M1PD*RO-LF-HC
SCALE	3 / 1	SHEET	2 OF 3



NOTE :

- * Reel Material : HIPS
- * Carrier Material : Clear, Conductive Polystyrene Alloy
- * Cover Tape Material : Polyester
- * Cover Tape Peel Strength : 0.1N – 1.3N
- * Carrier camber is within 1mm in 250mm
- * All dimensions meet EIA-481-B requirements.
- * Quantity : 1000 PCS/Reel

Dimension				Packing (Reel/Carton)
E	W1	W2	W3	
24.0(.945)	24.5(.965)	30.5(1.201)	24.5(.965)	12



WIDTH : 24 mm Carrier

RoHS Compliant

4					DATE	UNIT: mm / inch	TITLE: U.S.B TYPE C SOCKET DIP+SMT MIDDLE MOUNT RIGHT ANGLE	瀚荃股份有限公司 CviLux Corporation
3				DRAWN BY: Mark	8/30-17'	TOLERANCE UNLESS OTHERWISE SPECIFIED	MATERIAL:	
2				ENGINEER: Mark	8/30-17'	.X ± X' ± 1'	FINISH:	
1	Mark	8/29-17'	ECRD117003	CHECKED BY: Andy	8/30-17'	.XX ± .X' ±		DRAWING NO. CU1823SA
SYM	NAME	DATE	REVISIONS	APPROVED BY: Andy	8/30-17'	.XXX ± .XX' ±	SCALE	SHEET 3 OF 3