

MATERIAL:

- 1.HOUSING: LCP, GLASS FIBER FILLED, BK
- 2.CONTACT: COPPER ALLOY
- 3.GUARD PLATE: STAINLESS STEEL
- 4.MID PLATE: STAINLESS STEEL
- 5.SHELL: STAINLESS STEEL

FINISH:

- CONTACT: SEE ORDER INFORMATION
SHELL: NICKEL PLATING

Ordering Code:

CU18 24 S A H 1 P D x R 2 -LF -HC
① ② ③ ④ ⑤ ⑥ ⑦ ⑧ ⑨ ⑩ ⑪ ⑫ ⑬

① Series No.

② No. of Circuits

③ S= Socket

④ Plating option:

A= Gold Flash plated on Contact area,
Matte Tin plated on Solderails,
Nickel underplating over all

B= 15u" gold plated on Contact area,
Matte Tin plated on Solderails,
Nickel underplating over all

C= 30u" gold plated on Contact area,
Matte Tin plated on Solderails,
Nickel underplating over all

⑤ Contact tail style: H=Top mount Right Angle

⑥ Insulator Color: 1= Black

⑦ Contact solder tail style: P= DIP+SMT Type

⑧ Shell Type: D= DIP Type

⑨ Transmission speeds:

0= For Gen1

1= For Gen2

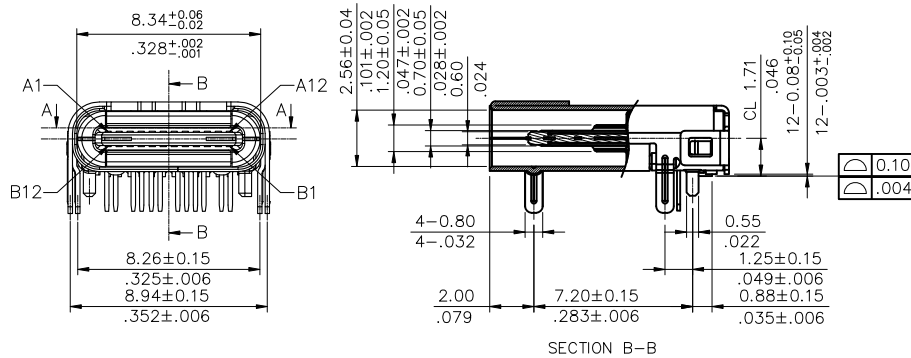
2= For USB 2.0

⑩ Packing Option: R= Tape & Reel

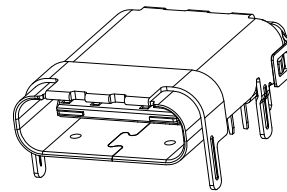
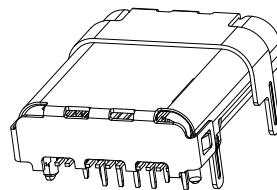
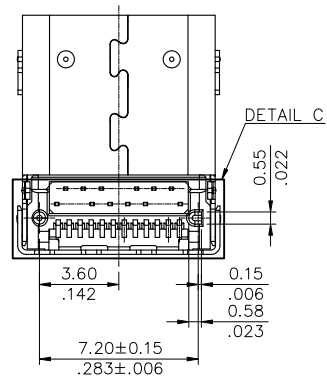
⑪ Other option: 2= STANDARD

⑫ -LF= For Lead Free IR Reflow Process

⑬ -HC= For High Current




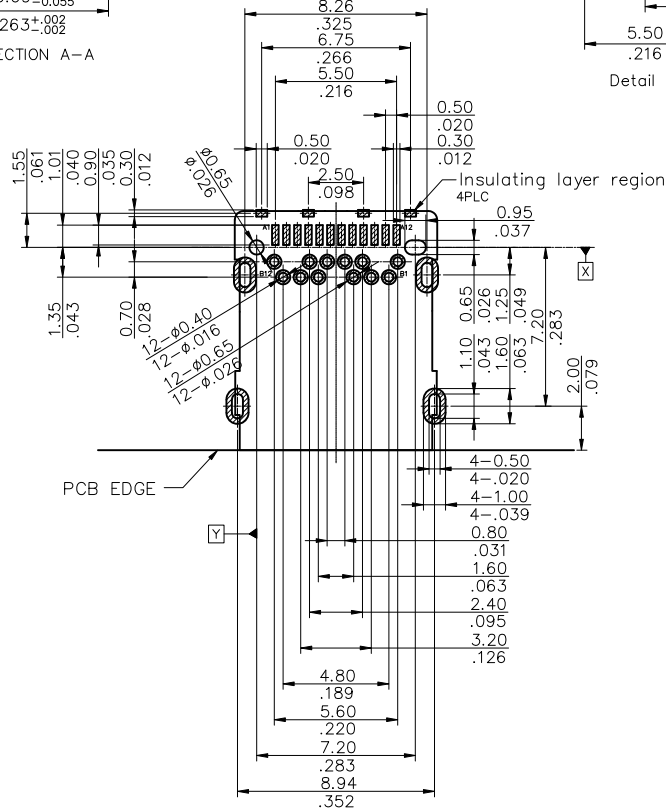
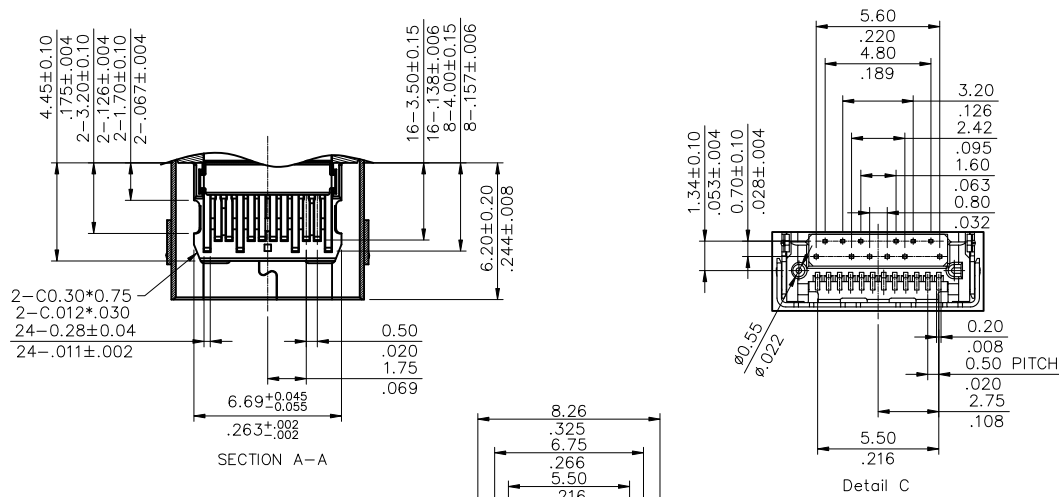
SECTION B-B



Lead Free Process

RoHS Compliant


④					DATE	UNIT: mm / inch	TITLE:	 瀚荃股份有限公司 CviLux Corporation
③				DRAWN BY: Mark	2018/01/23	TOLERANCE UNLESS OTHERWISE SPECIFIED	USB type-c 3.1 C/F RIGHT ANGLE CH 1.71mm , H3.31mm DIP+SMT TYPE	
②				ENGINEER: Mark	2018/01/23	.X ± 0.25/.010 X' ± 4'	MATERIAL:	
①				CHECKED BY: Andy	2018/01/23	.XX ± 0.20/.008 X' ± 2'	FINISH:	
SYM	NAME	DATE	REVISIONS	APPROVED BY: Andy	2018/01/23	.XXX ± 0.10/.004 .XX' ±		
DRAWING NO. CU1856SA PART NO. CU1824SAH1PDxR2-LF-HC								
SCALE 4 / 1 SHEET 1 OF 3								

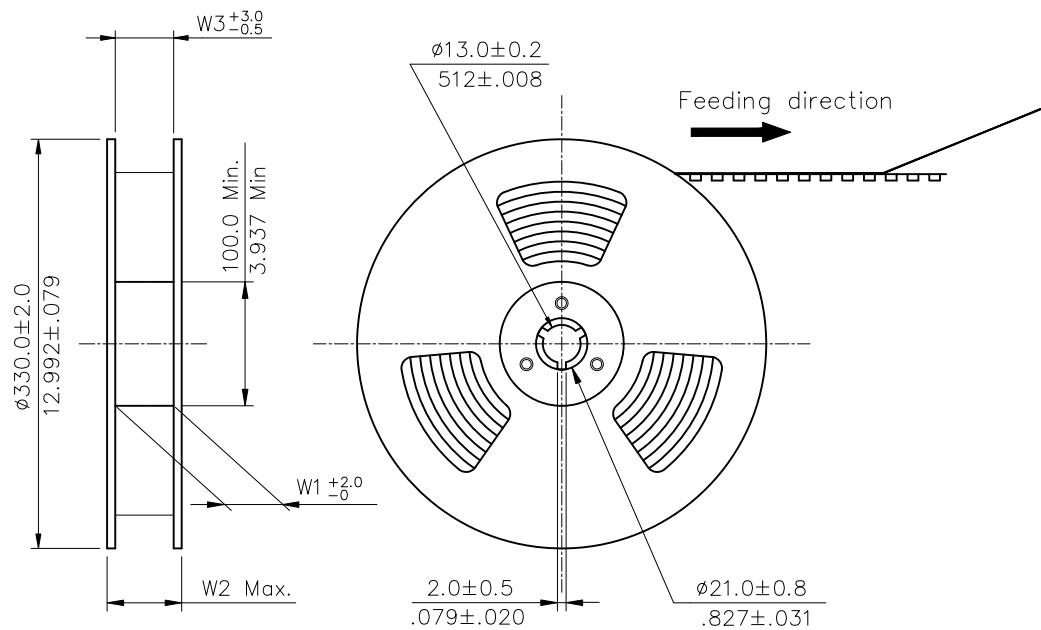


USB TYPE-C FULL-FEATURED RECEPTACLE INTERFACE PIN ASSIGNMENTS

PIN	Signal Name	Description	PIN	Signal Name	Description
A1	GND	Ground return	B12	GND	Ground return
A2	SSTXp1	Positive half of first SuperSpeed TX differential pair	B11	SSRXp1	Positive half of first SuperSpeed RX differential pair
A3	SSTXn1	Negative half of first SuperSpeed TX differential pair	B10	SSRXn1	Negative half of first SuperSpeed RX differential pair
A4	Vbus	Bus Power	B9	VBUS	Bus Power
A5	CC1	Configuration Channel	B8	SBU2	Sideband Use(SBU)
A6	Dp1	Positive half of the USB 2.0 differential pair-Position 1	B7	Dn2	Positive half of the USB 2.0 differential pair-Position 2
A7	Dn1	Negative half of the USB 2.0 differential pair-Position 1	B6	Dp2	Negative half of the USB 2.0 differential pair-Position 2
A8	SBU1	Sideband Use(SBU)	B5	CC2	Configuration Channel
A9	VBUS	Bus Power	B4	VBUS	Bus Power
A10	SSRXn2	Negative half of second SuperSpeed RX differential pair	B3	SSTXn2	Negative half of second SuperSpeed TX differential pair
A11	SSRXp2	Positive half of second SuperSpeed RX differential pair	B2	SSTXp2	Positive half of second SuperSpeed TX differential pair
A12	GND	Ground return	B1	GND	Ground return

Lead Free Process RoHS Compliant

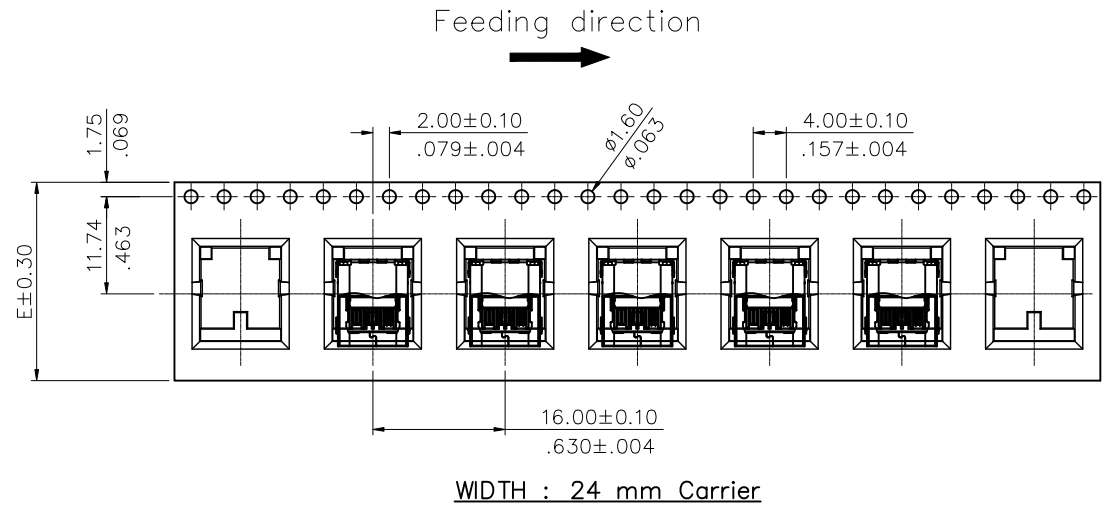
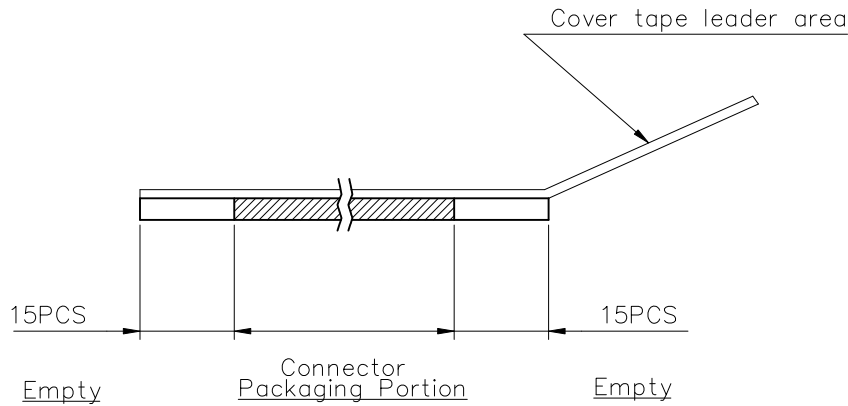
4				DATE	UNIT: mm / inch	TITLE:	 瀚荃股份有限公司 CviLux Corporation	
3			DRAWN BY: Mark	2018/01/23	TOLERANCE UNLESS OTHERWISE SPECIFIED	USB type-c 3.1 C/F RIGHT ANGLE CH 1.71mm , H3.31mm DIP+SMT TYPE		
2			ENGINEER: Mark	2018/01/23	.X ± 0.25/010 .X' ± 4'	MATERIAL:		
1			CHECKED BY: Andy	2018/01/23	.XX ± 0.20/008 .X' ± 2'	FINISH:		
SYM	NAME	DATE	APPROVED BY: Andy	2018/01/23	.XXX ± 0.10/004 .XX' ±			
REVISIONS							DRAWING NO. CU1856SA	PART NO. CU1824SAH1PDxR2-LF-HC
							SCALE 4 / 1	SHEET 2 OF 3



NOTE :

- * Reel Material : HIPS
- * Carrier Material : Clear, Conductive Polystyrene Alloy
- * Cover Tape Material : Polyester
- * Cover Tape Peel Strength : 0.1N – 1.3N
- * Carrier camber is within 1mm in 250mm
- * All dimensions meet EIA-481-B requirements.
- * Quantity : 600 PCS/Reel

Dimension				Packing (Reel/Carton)
E	W1	W2	W3	
24.0(.945)	24.5(.965)	30.5(1.201)	24.5(.965)	10



RoHS Compliant

4				DATE	UNIT: mm / inch	TITLE:	瀚荃股份有限公司 CviLux Corporation
3				DRAWN BY: Mark 2018/01/23	TOLERANCE UNLESS OTHERWISE SPECIFIED	USB type-c 3.1 C/F RIGHT ANGLE CH 1.71mm , H3.31mm DIP+SMT TYPE	
2				ENGINEER: Mark 2018/01/23	.X ± 0.25/.010 X' ± 4'	MATERIAL:	
1				CHECKED BY: Andy 2018/01/23	.XX ± 0.20/.008 .X' ± 2'	FINISH:	
SYM	NAME	DATE	REVISIONS	APPROVED BY: Andy 2018/01/23	.XXX ± 0.10/.004 .XX' ±	DRAWING NO. CU1856SA PART NO. CU1824SAH1PDxR2-LF-HC	
		SCALE	4 / 1	SHEET 3 OF 3			