

Part No.	Transmission speeds	Plating Code
CU1816SAH1MD2R1-LF-HC	USB 2.0	A:Gold Flash
CU1816SBH1MDQR1-LF-HC	Gen1	B:15u" Gold
CU1816SCH1MD1R1-LF-HC	Gen2	C:30u" Gold

MATERIAL:

- 1.HOUSING: LCP, GLASS FIBER FILLED, BK
- 2.CONTACT: COPPER ALLOY (T=0.12mm)
- 3.SHIELD: STAINLESS STEEL (T=0.30mm)

FINISH:

- CONTACT: GOLD PLATING ON CONTACT AREA, MATTE TIN PLATING ON SOLDERTAILS, NICKEL UNDERPLATING OVER ALL
- SHELL: NICKEL PLATING

Ordering Code:

CU18 16 S A H 1 M D 2 R 1 -LF -HC
 ① ② ③ ④ ⑤ ⑥ ⑦ ⑧ ⑨ ⑩ ⑪ ⑫ ⑬

- ① Series No.
- ② No of Circuits:
- ③ S= Socket
- ④ Plating option:
A= Gold Flash plated on Contact area, Matte Tin plated on Solderails, Nickel underplating over all
- ⑤ Contact tail style:
H= Top Mount, Side Entry
- ⑥ Insulator Color: 1= Black
- ⑦ Contact Solder Style: M= SMT Type
- ⑧ Shell Solder Style: D= DIP Type
- ⑨ Transmission speeds:
2= For USB 2.0
- ⑩ Packing Option: R= Reel Packing
- ⑪ Option: 1
- ⑫ -LF= For Lead Free IR Reflow Process
- ⑬ -HC= For High Current

Lead Free Process

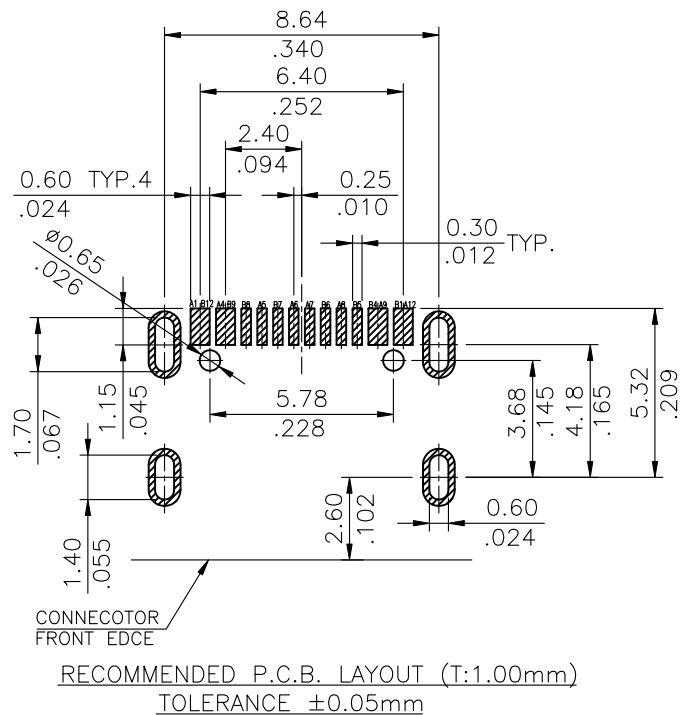
RoHS compliant

4				DATE	UNIT: mm / inch	TITLE:
3				DRAWN BY: Mark	TOLERANCE UNLESS OTHERWISE SPECIFIED	U.S.B TYPE C SOCKET SMT TOP MOUNT RIGHT ANGLE SHELL NON-ELASTIC SHEET
2				ENGINEER: Mark	.X ± 0.25/.010 X' ± 4'	MATERIAL:
1	Keny	18/2/2	CHANGING	CHECKED BY: Andy	.XX ± 0.20/.008 X' ± 2'	FINISH:
SYM	NAME	DATE	REVISIONS	APPROVED BY: Andy	.XXX ± 0.10/.004 XX' ±	



瀚荃股份有限公司
CviLux Corporation

DRAWING NO.	CU1853SA	PART NO.	CU1816SAH1MD2R1-LF-HC
SCALE	4 / 1	SHEET	1 OF 3

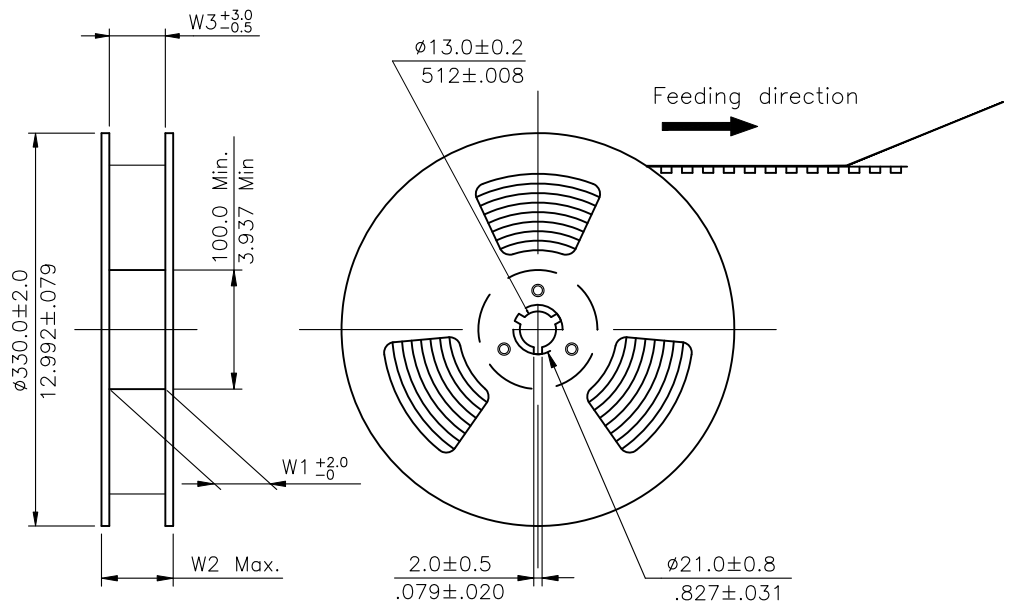


USB TYPE-C FULL-FEATURED RECEPTACLE INTERFACE PIN ASSIGNMENTS

PIN	Signal Name	Description	PIN	Signal Name	Description
A1	GND	Ground return	B12	GND	Ground return
A2	X		B11	X	
A3			B10		
A4			B9		
A5	Vbus	Bus Power	B8	VBUS	Bus Power
A6	CC1	Configuration Channel	B7	SBU2	Sideband Use(SBU)
A7	Dp1	Positive half of the USB 2.0 differential pair-Position 1	B6	Dn2	Positive half of the USB 2.0 differential pair-Position 2
A8	Dn1	Negative half of the USB 2.0 differential pair-Position 1	B5	Dp2	Negative half of the USB 2.0 differential pair-Position 2
A9	SBU1	Sideband Use(SBU)	B4	CC2	Configuration Channel
A10	VBUS	Bus Power	B3	VBUS	Bus Power
A11	X		B2	X	
A12			B1		
A12	GND	Ground return	B1	GND	Ground return

Lead Free Process RoHS Compliant

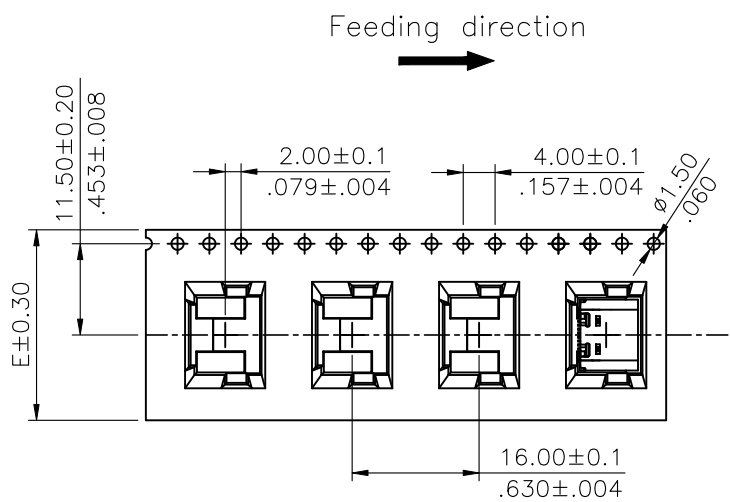
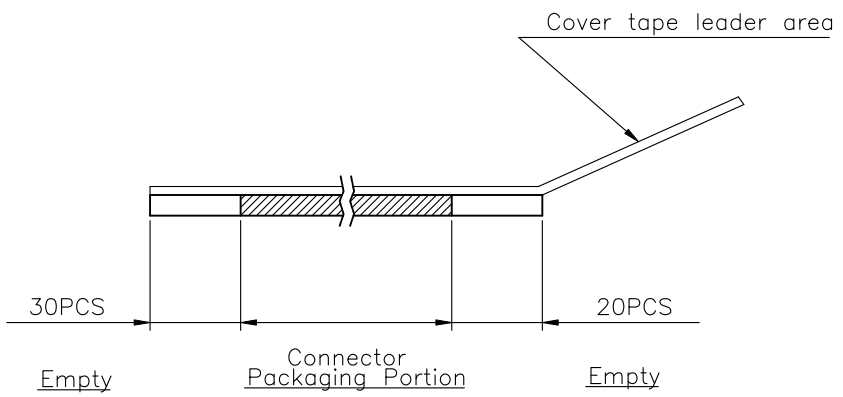
4					DATE	UNIT: mm / inch	TITLE:	瀚荃股份有限公司 CviLux Corporation		
3				DRAWN BY: Mark	12/28-17'	TOLERANCE UNLESS OTHERWISE SPECIFIED	U.S.B TYPE C SOCKET SMT TOP MOUNT RIGHT ANGLE SHELL NON-ELASTIC SHEET			
2				ENGINEER: Mark	12/28-17'	.X ± 0.25/.010 X' ± 4'	MATERIAL:			
1	Keny	18/2/2	CHANGING	CHECKED BY: Andy	12/28-17'	.XX ± 0.20/.008 X' ± 2'	FINISH:			
SYM	NAME	DATE	REVISIONS	APPROVED BY: Andy	12/28-17'	.XXX ± 0.10/.004 .XX' ±		DRAWING NO. CU1853SA	PART NO. CU1816SAH1MD2R1-LF-HC	
								SCALE	4 / 1	SHEET 2 OF 3



NOTE :

- * Reel Material : HIPS
- * Carrier Material : Clear, Conductive Polystyrene Alloy
- * Cover Tape Material : Polyester
- * Cover Tape Peel Strength : 0.1N – 1.3N
- * Carrier camber is within 1mm in 250mm
- * All dimensions meet EIA-481-B requirements.
- * Quantity : 800 PCS/Reel

Dimension				Packing (Reel/Carton)
E	W1	W2	W3	
24.0(.945)	24.5(.965)	30.5(1.201)	24.5(.965)	10



RoHS Compliant

4					DATE	UNIT: mm / inch	TITLE:	瀚荃股份有限公司 CviLux Corporation	
3				DRAWN BY: Mark	12/28-17'	TOLERANCE UNLESS OTHERWISE SPECIFIED	U.S.B TYPE C SOCKET SMT TOP MOUNT RIGHT ANGLE SHELL NON-ELASTIC SHEET		
2				ENGINEER: Mark	12/28-17'	.X ±	MATERIAL:	DRAWING NO. CU1853SA PART NO. CU1816SAH1MD2R1-LF-HC	
1	Keny	18/2/2	CHANGING	CHECKED BY: Andy	12/28-17'	.XX ±	FINISH:		
SYM	NAME	DATE	REVISIONS	APPROVED BY: Andy	12/28-17'	.XXX ±		SCALE	SHEET 3 OF 3