

MATERIAL:

- 1.HOUSING: LCP, GLASS FIBER FILLED, BK
- 2.CONTACT: COPPER ALLOY
- 3.GUARD PLATE:STAINLESS STEEL
- 4.MID PLATE: STAINLESS STEEL
- 5.SHELL: STAINLESS STEEL

FINISH:

- CONTACT: GOLD PLATING ON CONTACT AREA,
MATTE TIN PLATING ON SOLDER TAILS,
NICKEL UNDERPLATING OVER ALL
SHELL: NICKEL PLATING

Ordering Code:

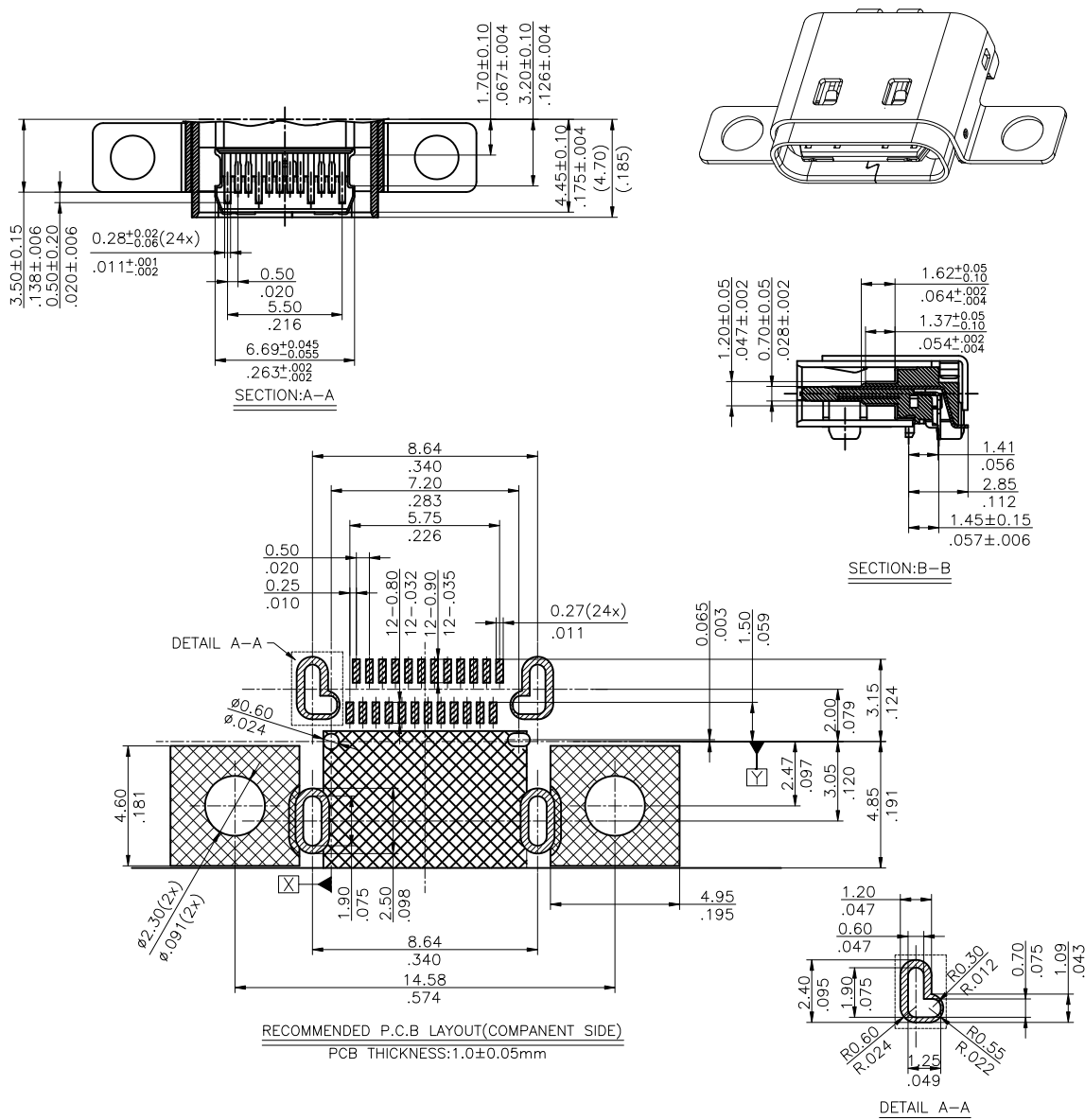
CU18 24 S * H 1 M D * R 2 -LF -HC
 ① ② ③ ④ ⑤ ⑥ ⑦ ⑧ ⑨ ⑩ ⑪ ⑫ ⑬

- ① Series No.
- ② No. of Circuits
- ③ S= Socket
- ④ Plating option:
 A= Gold Flash plated on Contact area,
 Matte Tin plated on Solder tails,
 Nickel underplating over all
 B= 15u" gold plated on Contact area,
 Matte Tin plated on Solder tails,
 Nickel underplating over all
 C= 30u" gold plated on Contact area,
 Matte Tin plated on Solder tails,
 Nickel underplating over all
- ⑤ Contact tail style: H=Top mount Right Angle
- ⑥ Insulator Color: 1= Black
- ⑦ Contact solder tail style: M= SMT Type
- ⑧ Shell Type: D= DIP Type
- ⑨ Transmission speeds:
 0= For Gen1(Gold 15u" Only)
 1= For Gen2(Gold 30u" Only)
 2= For USB 2.0(Gold Flash Only)
- ⑩ Packing Option: R= Tape & Reel
- ⑪ Other option: 2
- ⑫ -LF= For Lead Free IR Reflow Process
- ⑬ -HC= For High Current

Part No.	Transmission speeds	Plating Code
CU1824SAH1MD2R2-LF-HC	USB 2.0	A:Gold Flash
CU1824SBH1MD0R2-LF-HC	Gen1	B:15u" Gold
CU1824SCH1MD1R2-LF-HC	Gen2	C:30u" Gold

Lead Free Process RoHS Compliant

④				DATE	UNIT: mm / inch	TITLE:	瀚荃股份有限公司 CviLux Corporation
③			DRAWN BY: Mark	2018/01/19	TOLERANCE UNLESS OTHERWISE SPECIFIED	USB 3.1 C/F CL1.58 H3.40mm SMT TYPE	
②			ENGINEER: Mark	2018/01/19	.X ± 0.25/.010 X' ± 4'	MATERIAL:	
①			CHECKED BY: Andy	2018/01/19	.XX ± 0.20/.008 X' ± 2'	FINISH:	
SYM	NAME	DATE	APPROVED BY: Andy	2018/01/19	.XXX ± 0.10/.004 .XX' ±		
REVISIONS		DRAWING NO. CU1854SA		PART NO. CU1824S*H1MD*R2-LF-HC	SCALE 4 / 1		SHEET 1 OF 3

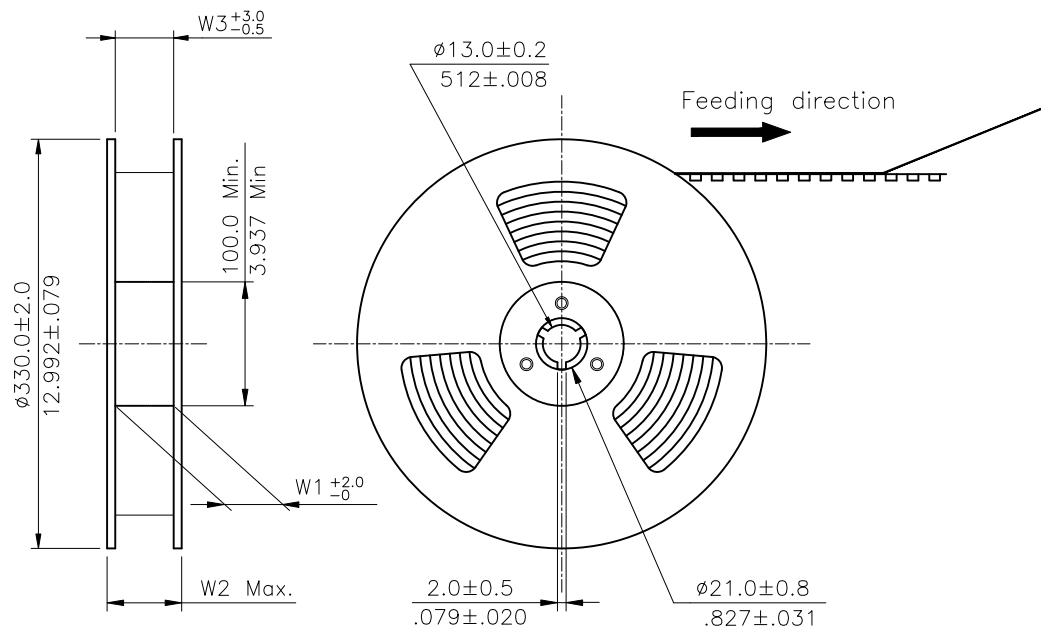


USB TYPE-C FULL-FEATURED RECEPTACLE INTERFACE PIN ASSIGNMENTS

PIN	Signal Name	Description	PIN	Signal Name	Description
A1	GND	Ground return	B12	GND	Ground return
A2	SSTXp1	Positive half of first SuperSpeed TX differential pair	B11	SSRXp1	Positive half of first SuperSpeed RX differential pair
A3	SSTXn1	Negative half of first SuperSpeed TX differential pair	B10	SSRXn1	Negative half of first SuperSpeed RX differential pair
A4	Vbus	Bus Power	B9	VBUS	Bus Power
A5	CC1	Configuration Channel	B8	SBU2	Sideband Use(SBU)
A6	Dp1	Positive half of the USB 2.0 differential pair-Position 1	B7	Dn2	Negative half of the USB 2.0 differential pair-Position 2
A7	Dn1	Negative half of the USB 2.0 differential pair-Position 1	B6	Dp2	Positive half of the USB 2.0 differential pair-Position 2
A8	SBU1	Sideband Use(SBU)	B5	CC2	Configuration Channel
A9	VBUS	Bus Power	B4	VBUS	Bus Power
A10	SSRXn2	Negative half of second SuperSpeed RX differential pair	B3	SSTXn2	Negative half of second SuperSpeed TX differential pair
A11	SSRXp2	Positive half of second SuperSpeed RX differential pair	B2	SSTXp2	Positive half of second SuperSpeed TX differential pair
A12	GND	Ground return	B1	GND	Ground return

Lead Free Process RoHS Compliant

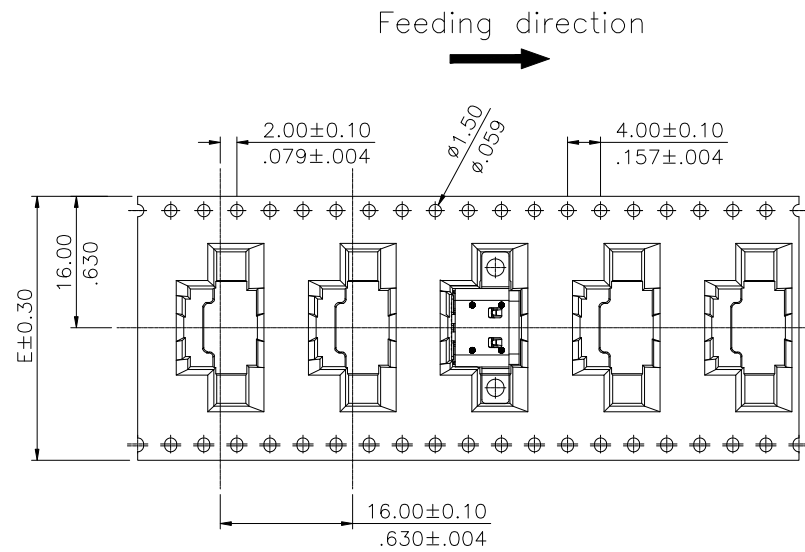
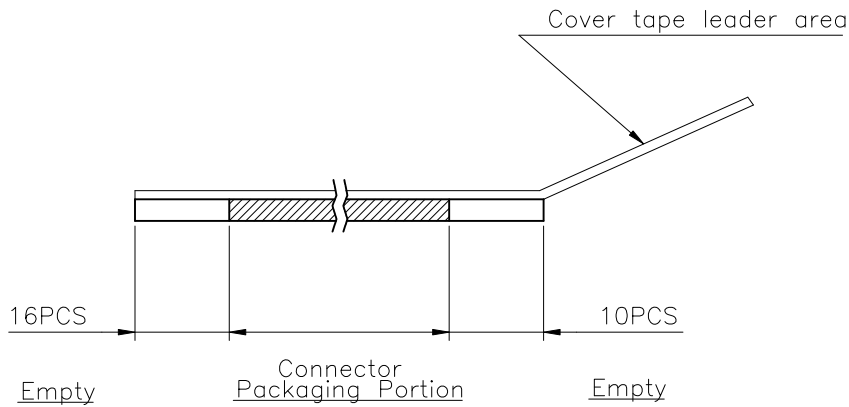
4				DATE	UNIT: mm / inch	TITLE:	瀚荃股份有限公司 CviLux Corporation	
3			DRAWN BY: Mark	2018/01/19	TOLERANCE UNLESS OTHERWISE SPECIFIED	USB 3.1 C/F CL1.58 H3.40mm SMT TYPE		
2			ENGINEER: Mark	2018/01/19	.X ± 0.25/010 .X' ± 4'	MATERIAL:		
1			CHECKED BY: Andy	2018/01/19	.XX ± 0.20/008 .X' ± 2'	FINISH:		
SYM	NAME	DATE	APPROVED BY: Andy	2018/01/19	.XXX ± 0.10/004 .XX' ±			
REVISIONS							DRAWING NO. CU1854SA	PART NO. CU1824S*H1MD*R2-LF-HC
SCALE							4 / 1	SHEET 3 OF 2



NOTE :

- * Reel Material : HIPS
- * Carrier Material : Clear, Conductive Polystyrene Alloy
- * Cover Tape Material : Polyester
- * Cover Tape Peel Strength : 0.1N – 1.3N
- * Carrier camber is within 1mm in 250mm
- * All dimensions meet EIA-481-B requirements.
- * Quantity : 700 PCS/Reel

Dimension				Packing (Reel/Carton)
E	W1	W2	W3	
32.0(1.260)	32.5(1.279)	36.5(1.437)	32.5(1.279)	8



WIDTH : 32 mm Carrier

Lead Free Process RoHS Compliant

4				DATE	UNIT: mm / inch	TITLE:
3			DRAWN BY: Mark	2018/01/19	TOLERANCE UNLESS OTHERWISE SPECIFIED	USB 3.1 C/F CL1.58 H3.40mm SMT TYPE
2			ENGINEER: Mark	2018/01/19		MATERIAL:
1			CHECKED BY: Andy	2018/01/19		.X ± 0.25/.010 X' ± 4'
			APPROVED BY: Andy	2018/01/19		.XX ± 0.20/.008 X" ± 2"
					.XXX ± 0.10/.004 .XX' ±	FINISH:

瀚荃股份有限公司
CviLux Corporation

DRAWING NO.	CU1854SA	PART NO.	CU1824S*H1MD*R2-LF-HC
SCALE	4 / 1	SHEET	3 OF 3