

MATERIAL:

- 1.HOUSING: LCP, GLASS FIBER FILLED, BK
- 2.CONTACT: COPPER ALLOY
- 3.GUARD PLATE:STAINLESS STEEL
- 4.MID PLATE: STAINLESS STEEL
- 5.SHELL: STAINLESS STEEL

FINISH:

- CONTACT: GOLD PLATING ON CONTACT AREA,
MATTE TIN PLATING ON SOLDERTAILS,
NICKEL UNDERPLATING OVER ALL
- SHELL: NICKEL PLATING

Ordering Code:

CU18 24 S * N 1 P D * R 0 -LF - HC
 ① ② ③ ④ ⑤ ⑥ ⑦ ⑧ ⑨ ⑩ ⑪ ⑫ ⑬

① Series No.

② No. of Circuits

③ S= Socket

④ Plating option:

A= Gold Flash plated on Contact area,
Matte Tin plated on Solderails,
Nickel underplating over all

B= 15u" gold plated on Contact area,
Matte Tin plated on Solderails,
Nickel underplating over all

C= 30u" gold plated on Contact area,
Matte Tin plated on Solderails,
Nickel underplating over all

⑤ Contact tail style: N= ADD HIGH Type

⑥ Insulator Color: 1= Black

⑦ Contact solder tail style: P= DIP+SMT Type

⑧ Shell Type: D= DIP Type

⑨ Transmission speeds:

0= For Gen1(Gold 15u" Only)

1= For Gen2(Gold 30u" Only)

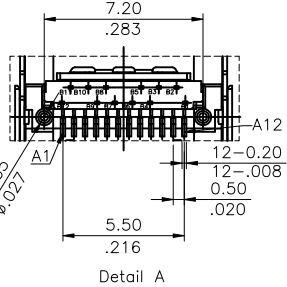
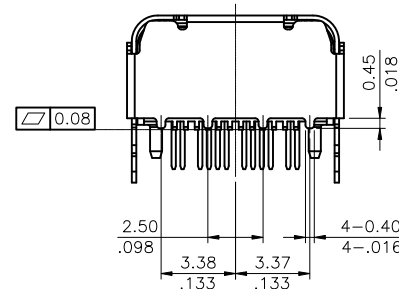
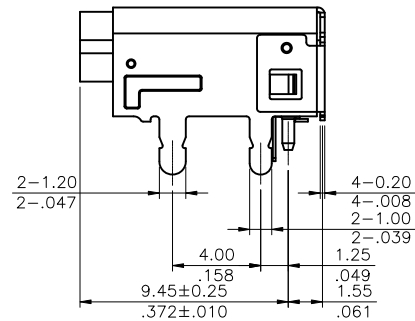
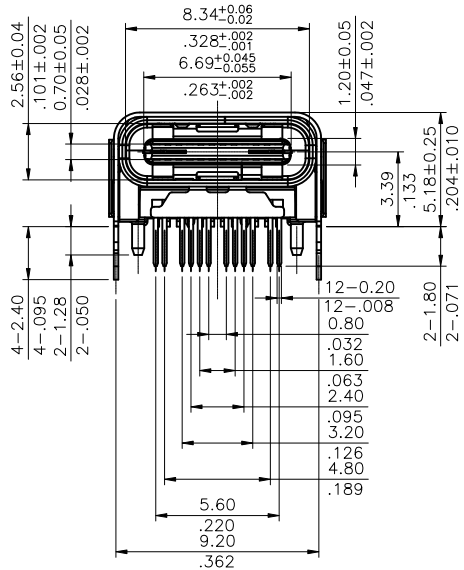
2= For USB 2.0(Gold Flash Only)

⑩ Packing Option: R= Tape & Reel

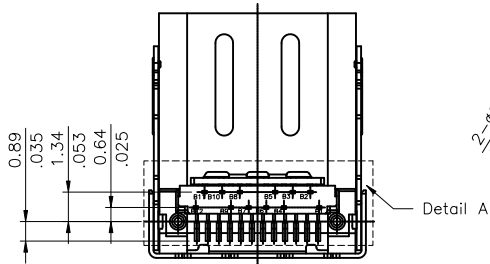
⑪ Other option: 0

⑫ -LF= For Lead Free IR Reflow Process

⑬ -HC= For High Current



Part No.	Transmission speeds	Plating Code
CU1824SAN1PD2R0-LF-HC	USB 2.0	A:Gold Flash
CU1824SBN1PD0R0-LF-HC	Gen1	B:15u" Gold
CU1824SCN1PD1R0-LF-HC	Gen2	C:30u" Gold

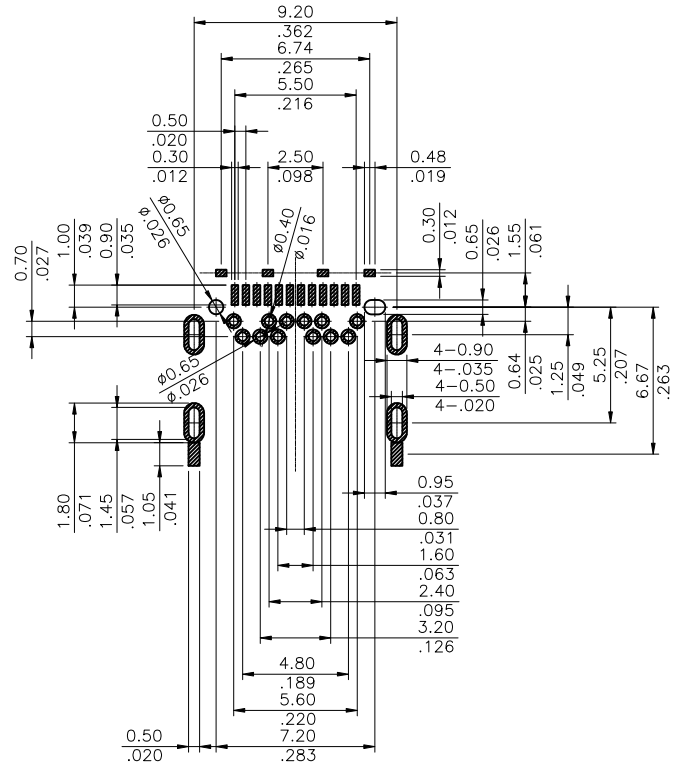


Lead Free Process RoHS Compliant

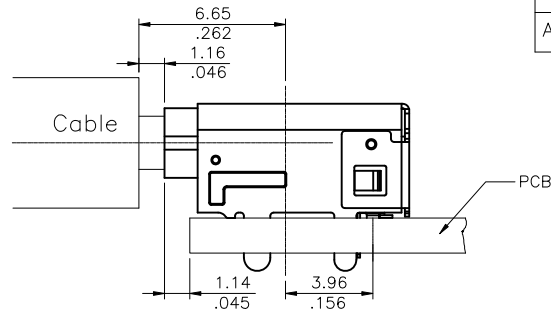


瀚荃股份有限公司
CviLux Corporation

SYM	NAME	DATE	REVISIONS	DRAWN BY:	Mark	DATE	UNIT: mm / inch	TITLE:	DRAWING NO.	CU1852SA	PART NO.	CU1824S*N1PD*R0-LF-HC
4				ENGINEER:	Mark	2017/12/27	TOLERANCE UNLESS OTHERWISE SPECIFIED .X ± 0.25/.010 X' ± 4' .XX ± 0.20/.008 X" ± 2' .XXX ± 0.10/.004 .XX' ±	USB 3.1 C/F RIGHT ANGLE CH3.39 H5.18mm DIP+SMT TYPE	SCALE	4 / 1	SHEET	1 OF 3
3			CHECKED BY:	Andy	2017/12/27	MATERIAL:						
2			APPROVED BY:	Andy	2017/12/27	FINISH:						
1												




RECOMMENDED P.C.B LAYOUT (COMPONENT SIDE)
PCB THICKNESS: 2.0 ± 0.05mm

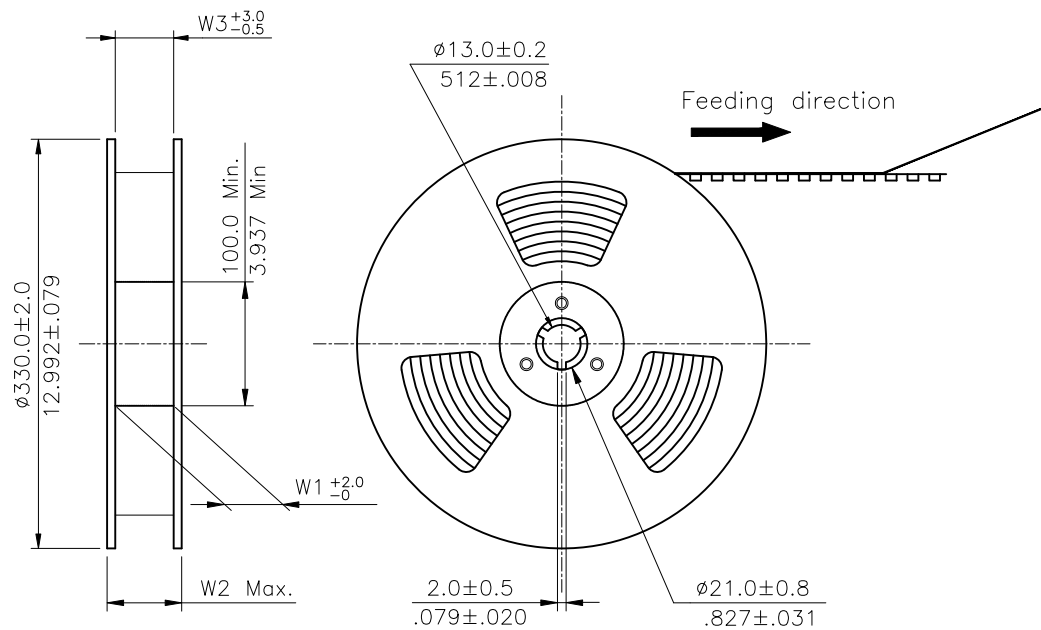


USB TYPE-C FULL-FEATURED RECEPTACLE INTERFACE PIN ASSIGNMENTS

PIN	Signal Name	Description	PIN	Signal Name	Description
A1	GND	Ground return	B12	GND	Ground return
A2	SSTXp1	Positive half of first SuperSpeed TX differential pair	B11	SSRXp1	Positive half of first SuperSpeed RX differential pair
A3	SSTXn1	Negative half of first SuperSpeed TX differential pair	B10	SSRXn1	Negative half of first SuperSpeed RX differential pair
A4	Vbus	Bus Power	B9	VBUS	Bus Power
A5	CC1	Configuration Channel	B8	SBU2	Sideband Use(SBU)
A6	Dp1	Positive half of the USB 2.0 differential pair-Position 1	B7	Dn2	Positive half of the USB 2.0 differential pair-Position 2
A7	Dn1	Negative half of the USB 2.0 differential pair-Position 1	B6	Dp2	Negative half of the USB 2.0 differential pair-Position 2
A8	SBU1	Sideband Use(SBU)	B5	CC2	Configuration Channel
A9	VBUS	Bus Power	B4	VBUS	Bus Power
A10	SSRXn2	Negative half of second SuperSpeed RX differential pair	B3	SSTXn2	Negative half of second SuperSpeed TX differential pair
A11	SSRXp2	Positive half of second SuperSpeed RX differential pair	B2	SSTXp2	Positive half of second SuperSpeed TX differential pair
A12	GND	Ground return	B1	GND	Ground return

Lead Free Process RoHS Compliant

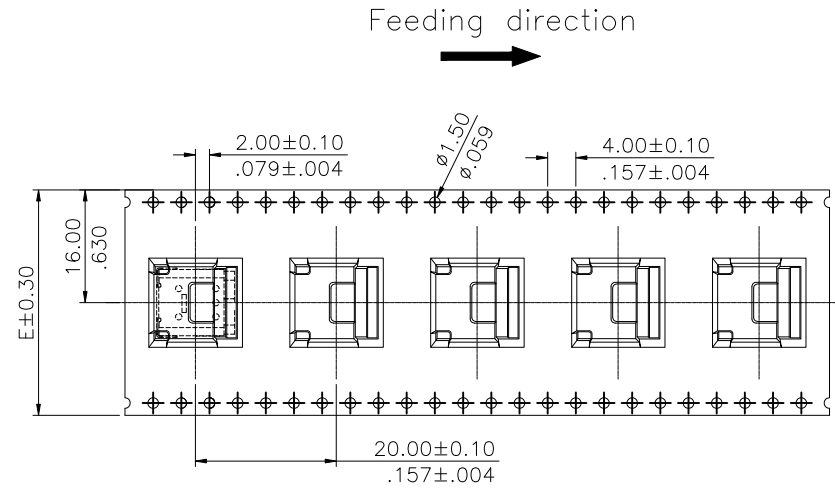
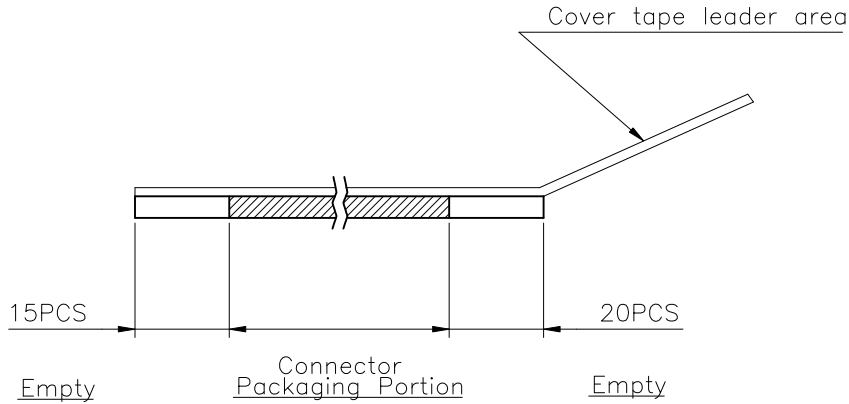
4				DATE	UNIT: mm / inch	TITLE:	 瀚荃股份有限公司 CviLux Corporation	
3			DRAWN BY: Mark	2017/12/27	TOLERANCE UNLESS OTHERWISE SPECIFIED	USB 3.1 C/F RIGHT ANGLE CH3.39 H5.18mm DIP+SMT TYPE		
2			ENGINEER: Mark	2017/12/27	.X ± 0.25/010	.X' ± 4'		
1			CHECKED BY: Andy	2017/12/27	.XX ± 0.20/008	.X' ± 2'		
SYM	NAME	DATE	APPROVED BY: Andy	2017/12/27	.XXX ± 0.10/004	.X' ±		
REVISIONS							MATERIAL:	DRAWING NO. CU1852SA
							FINISH:	PART NO. CU1824S*N1PD*RO-LF-HC
							SCALE	4 / 1
							SHEET	3 OF 2




NOTE :

- * Reel Material : HIPS
- * Carrier Material : Clear, Conductive Polystyrene Alloy
- * Cover Tape Material : Polyester
- * Cover Tape Peel Strength : 0.1N – 1.3N
- * Carrier camber is within 1mm in 250mm
- * All dimensions meet EIA-481-B requirements.
- * Quantity : 550 PCS/Reel

Dimension				Packing (Reel/Carton)
E	W1	W2	W3	
32.0(1.260)	32.5(1.279)	36.5(1.437)	32.5(1.279)	8



Lead Free Process RoHS Compliant

SYM	NAME	DATE	REVISIONS	APPROVED BY:	DATE	UNIT:	TITLE:	 瀚荃股份有限公司 CviLux Corporation			
4						mm / inch	USB 3.1 C/F RIGHT ANGLE CH3.39 H5.18mm DIP+SMT TYPE				
3				DRAWN BY:	Mark	2017/12/27	TOLERANCE UNLESS OTHERWISE SPECIFIED				
2				ENGINEER:	Mark	2017/12/27	.X ± 0.25/.010 X' ± 4'				
1				CHECKED BY:	Andy	2017/12/27	.XX ± 0.20/.008 X" ± 2"				
				APPROVED BY:	Andy	2017/12/27	.XXX ± 0.10/.004 .XX' ±				
								DRAWING NO.	CU1852SA	PART NO.	CU1824S*N1PD*RO-LF-HC
								SCALE	4 / 1	SHEET	3 OF 3