

**MATERIAL:**

- 1.HOUSING: LCP, GLASS FIBER FILLED, BK
- 2.CONTACT: COPPER ALLOY (t=0.12mm).
- 3.GUARD PLATE:STAINLESS STEEL,T=0.10mm
- 4.SHIELD: STAINLESS STEEL (t=0.30mm).

**FINISH:**

- CONTACT : GOLD PLATING ON CONTACT AREA
- TIN(MATTE) PLATING ON SOLDERTAILS AREA
- NICKEL UNDERPLATING OVER ALL
- SHELL: PLATED NICKEL PLATING

**Ordering Code:**

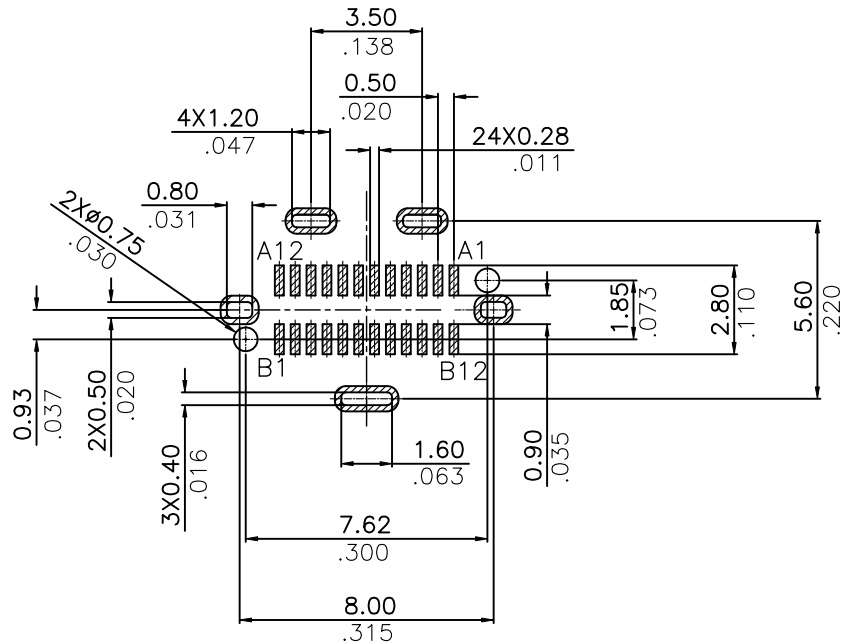
CU18 24 P \* V 1 2 0 0 - LF - HC  
 ① ② ③ ④ ⑤ ⑥ ⑦ ⑧ ⑨ ⑩ ⑪

- ① Series No.
- ② 24=24P
- ③ P=PLUG
- ④ Plating option:
  - A= Gold Flash plated on Contact area, Matte Tin plated on Solderails, Nickel underplating over all
  - B= 15u" gold plated on Contact area, Matte Tin plated on Solderails, Nickel underplating over all
  - C= 30u" gold plated on Contact area, Matte Tin plated on Solderails, Nickel underplating over all
- ⑤ Contact tail style: V= Top mount Straight
- ⑥ Insulator Color: 1= Black
- ⑦ 0= Gen1; 1= Gen2  
2= For USB 2.0; N= Without PCB
- ⑧ Shell Type  
0= Straddle Forming type  
1= Draw Type
- ⑨ Type: Other option
- ⑩ -LF= For Lead Free IR Reflow Process
- ⑪ -HC= High Current

Lead Free Process      RoHS compliant

4					DATE	UNIT: mm / inch	TITLE: U.S.B TYPE C PULG SMT Top mount Straight
3				DRAWN BY: Mark	8/30-17'	TOLERANCE UNLESS OTHERWISE SPECIFIED	MATERIAL:
2				ENGINEER: Mark	8/30-17'		
1				CHECKED BY: Andy	8/30-17'	.X ± 0.25/.010    X' ± 4'	FINISH:
SYM	NAME	DATE	REVISIONS	APPROVED BY: Andy	8/30-17'	.XX ± 0.20/.008    X' ± 2'	
						.XXX ± 0.10/.004    .XX' ±	

瀚荃股份有限公司 CviLux Corporation		DRAWING NO.	CU1838SA	PART NO.	CU1824PAV1200-LF-HC
		SCALE	3 / 1	SHEET	1 OF 3



RECOMMENDED P.C.B. LAYOUT T:1.00(.040)mm  
TOLERANCE UNSPECIFIED ±0.05(.002)mm

#### USB TYPE-C FULL-FEATURED RECEPTACLE INTERFACE PIN ASSIGNMENTS

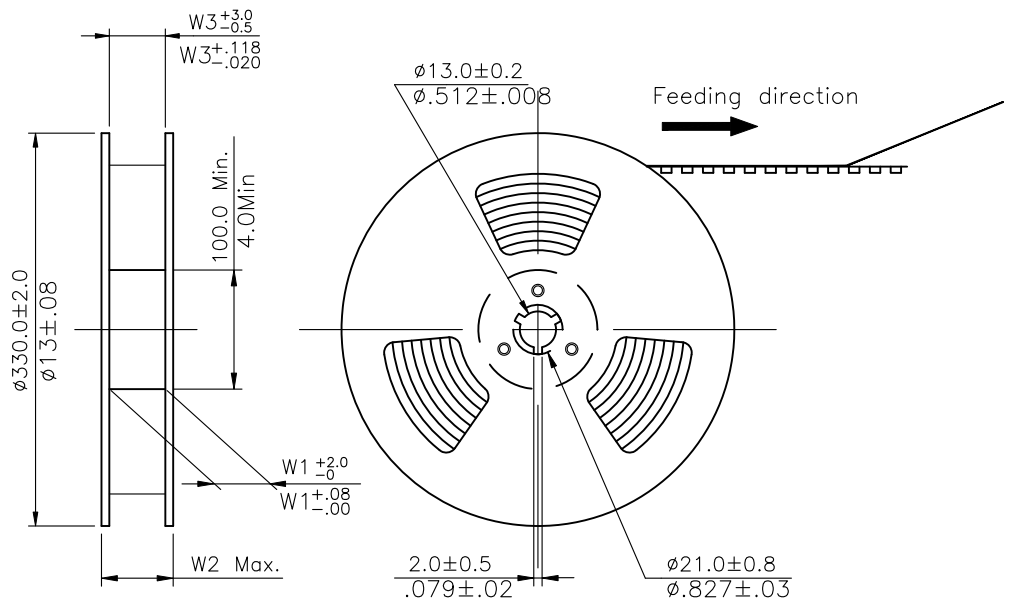
PIN	Signal Name	Description	PIN	Signal Name	Description
A1	GND	Ground return	B12	GND	Ground return
A2	SSTXp1	Positive half of first SuperSpeed TX differential pair	B11	SSRXp1	Positive half of first SuperSpeed RX differential pair
A3	SSTXn1	Negative half of first SuperSpeed TX differential pair	B10	SSRXn1	Negative half of first SuperSpeed RX differential pair
A4	Vbus	Bus Power	B9	VBUS	Bus Power
A5	CC1	Configuration Channel	B8	SBU2	Sideband Use(SBU)
A6	Dp1	Positive half of the USB 2.0 differential pair-Position 1	B7	Dn2	Positive half of the USB 2.0 differential pair-Position 2
A7	Dn1	Negative half of the USB 2.0 differential pair-Position 1	B6	Dp2	Negative half of the USB 2.0 differential pair-Position 2
A8	SBU1	Sideband Use(SBU)	B5	CC2	Configuration Channel
A9	VBUS	Bus Power	B4	VBUS	Bus Power
A10	SSRXn2	Negative half of second SuperSpeed RX differential pair	B3	SSTXn2	Negative half of second SuperSpeed TX differential pair
A11	SSRXp2	Positive half of second SuperSpeed RX differential pair	B2	SSTXp2	Positive half of second SuperSpeed TX differential pair
A12	GND	Ground return	B1	GND	Ground return

RoHS Compliant

SYM	NAME	DATE	REVISIONS	APPROVED BY:	Andy	8/30-17'	UNIT: mm / inch	TITLE: U.S.B TYPE C SOCKET SMT Top mount Straight	MATERIAL:	FINISH:	DRAWING NO.	CU1838SA	PART NO.	CU1824PAV1200-LF-HC		
4							TOLERANCE UNLESS OTHERWISE SPECIFIED				SCALE	4 / 1	SHEET	2 OF 3		
3				DRAWN BY:	Mark	8/30-17'									.X ± 0.25/.010	X' ± 4'
2				ENGINEER:	Mark	8/30-17'									.XX ± 0.20/.008	.X' ± 2'
1				CHECKED BY:	Andy	8/30-17'									.XXX ± 0.10/.004	.XX' ±



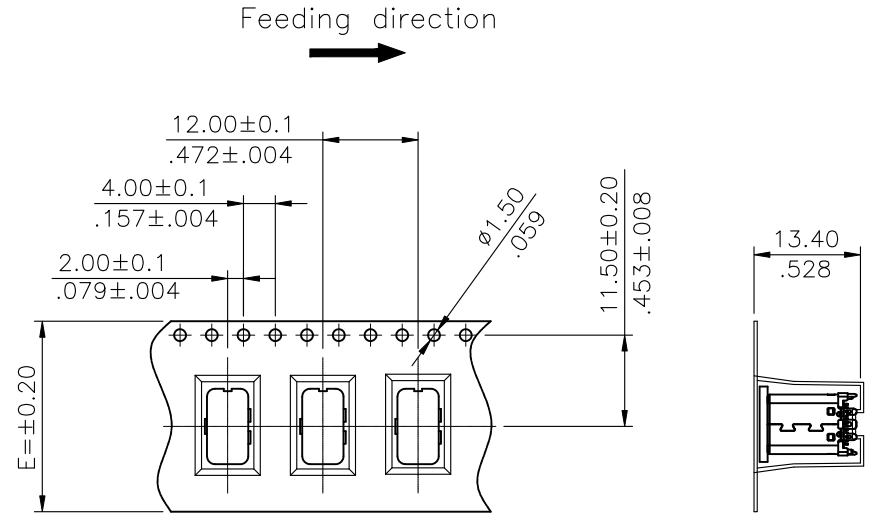
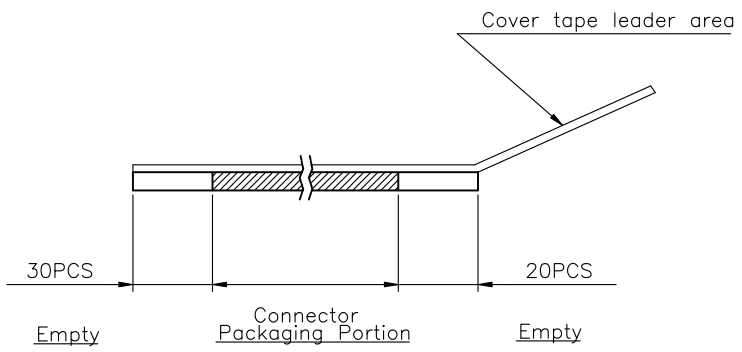
瀚荃股份有限公司  
CviLux Corporation



NOTE :


- \* Reel Material : HIPS
- \* Carrier Material : Black, Conductive Polystyrene Alloy
- \* Cover Tape Material : Polyester
- \* Cover Tape Peel Strength : 0.1N – 1.3N
- \* Carrier camber is within 1mm in 250mm
- \* All dimensions meet EIA-481-B requirements.
- \* Quantity : 300 PCS/Reel

Dimension				Packing (Reel/Carton)
E	W1	W2	W3	
24.0(.945)	24.5(.965)	30.5(1.201)	24.5(.965)	10



WIDTH : 24 mm Carrier

RoHS Compliant

4				DATE	UNIT: mm / inch	TITLE: U.S.B TYPE C SOCKET SMT Top mount Straight	 瀚荃股份有限公司 CviLux Corporation	
3			DRAWN BY: Mark	8/30-17'	TOLERANCE UNLESS OTHERWISE SPECIFIED	MATERIAL:		
2			ENGINEER: Mark	8/30-17'	.X ±	.X' ± 1'	DRAWING NO. CU1838SA	
1			CHECKED BY: Andy	8/30-17'	.XX ±	.X' ±	PART NO. CU1824PAV1200-LF-HC	
SYM	NAME	DATE	REVISIONS	APPROVED BY: Andy	8/30-17'	.XXX ±	.XX' ±	
							FINISH:	SCALE
							SHEET 3 OF 3	